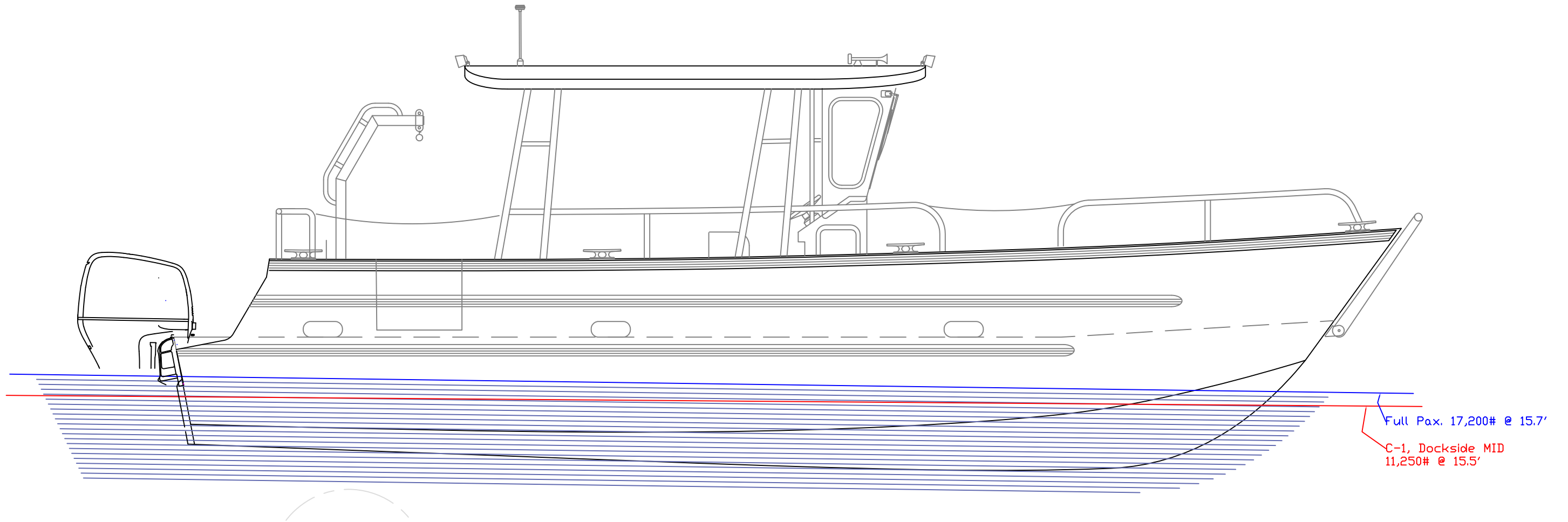


~ Particulars ~  
 Hull LOA- 31' 4" (w/o Engines & Door)  
 Beam- 11' 10" (w/o Rub Rails)  
 Draft- 2' 3" (Loaded, 17,200 lbs)

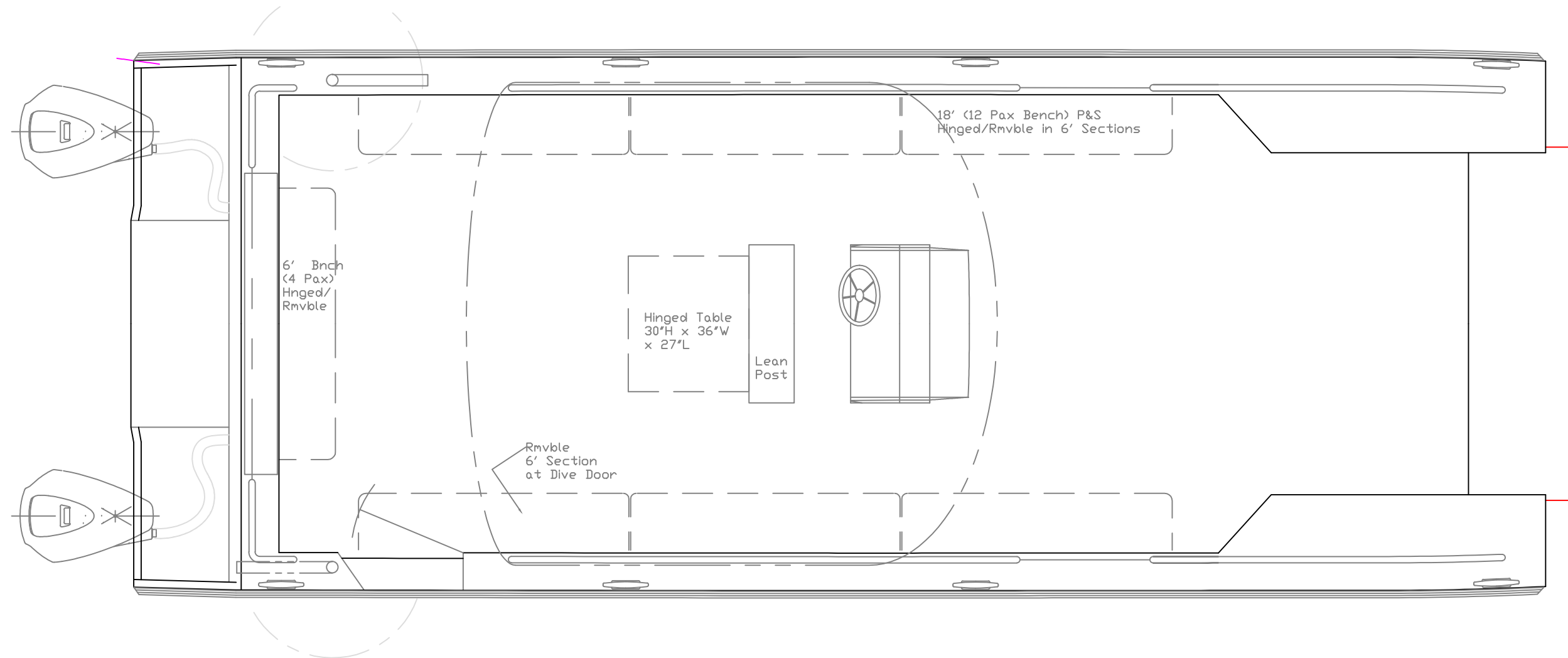


Notes:  
 Shown w/ Optional mid Rub Strake

OUTBOARD PROFILE

31'x12' Landing Craft Catamaran		
For: Univ. of New England		
SCALE 3/8" = 1'	DES/DWN WAL/JCC	DATE 8/31/16
<b>Response Marine, Inc.</b> Newburyport, MA, www.responsemarine.com		REV DWG NO. 524-1

REV.	DESCRIPTION



OUTBOARD PLAN

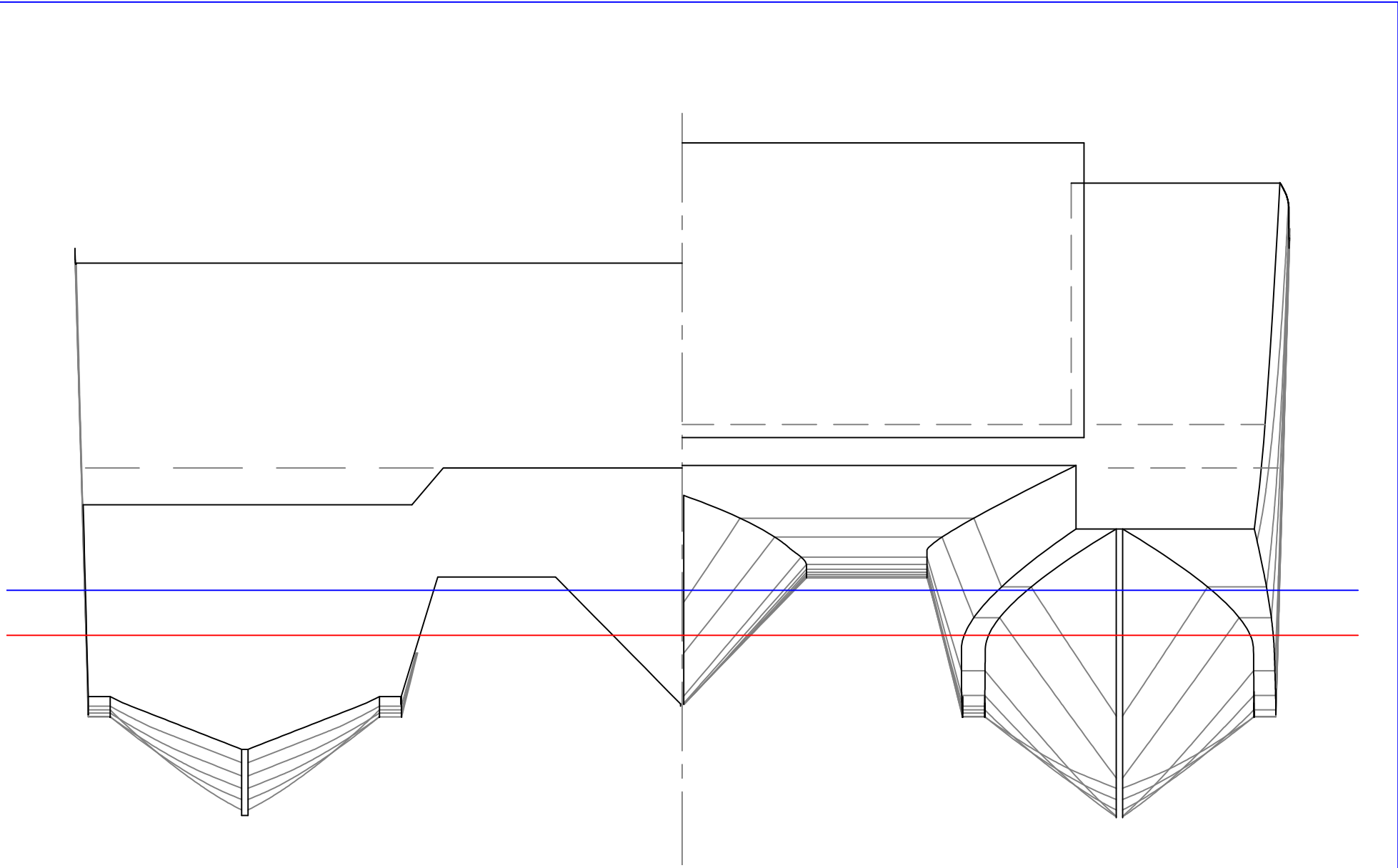
31'x12' Landing Craft Catamaran

For: Univ. of New England

SCALE 3/8" = 1'	DES/DWN WAL/JCC	DATE 8/31/16
--------------------	--------------------	-----------------

<b>Response Marine, Inc.</b>		REV
Newburyport, MA, <a href="http://www.responsemarine.com">www.responsemarine.com</a>	DWG NO. 524-2	

REV.	DESCRIPTION



BODY PLAN

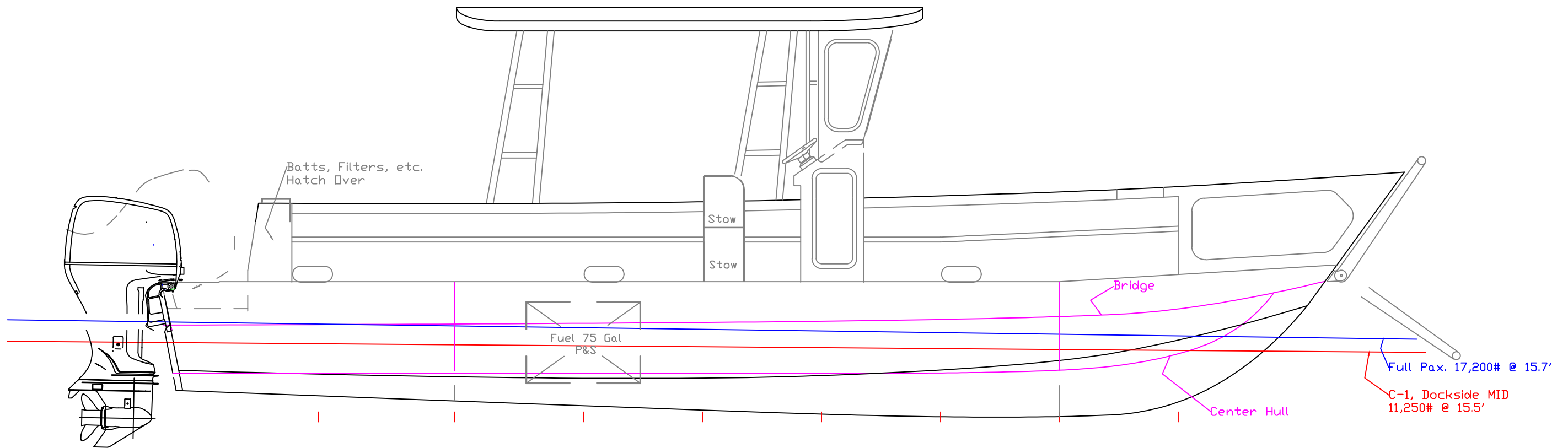
31'x12' Landing Craft Catamaran

For: Univ. of New England

SCALE 3/4" = 1'	DES/DWN WAL/JCC	DATE 8/31/16
--------------------	--------------------	-----------------

<b>Response Marine, Inc.</b>		REV
Newburyport, MA, <a href="http://www.responsemarine.com">www.responsemarine.com</a>		DWG NO. 524-3

REV.	DESCRIPTION



INBOARD PROFILE

31'x12' Landing Craft Catamaran		
For: Univ. of New England		
SCALE 3/8" = 1'	DES/DWN WAL/JCC	DATE 8/31/16
<b>Response Marine, Inc.</b>		REV
Newburyport, MA, <a href="http://www.responsemarine.com">www.responsemarine.com</a>		DWG NO. 524-4

REV.	DESCRIPTION