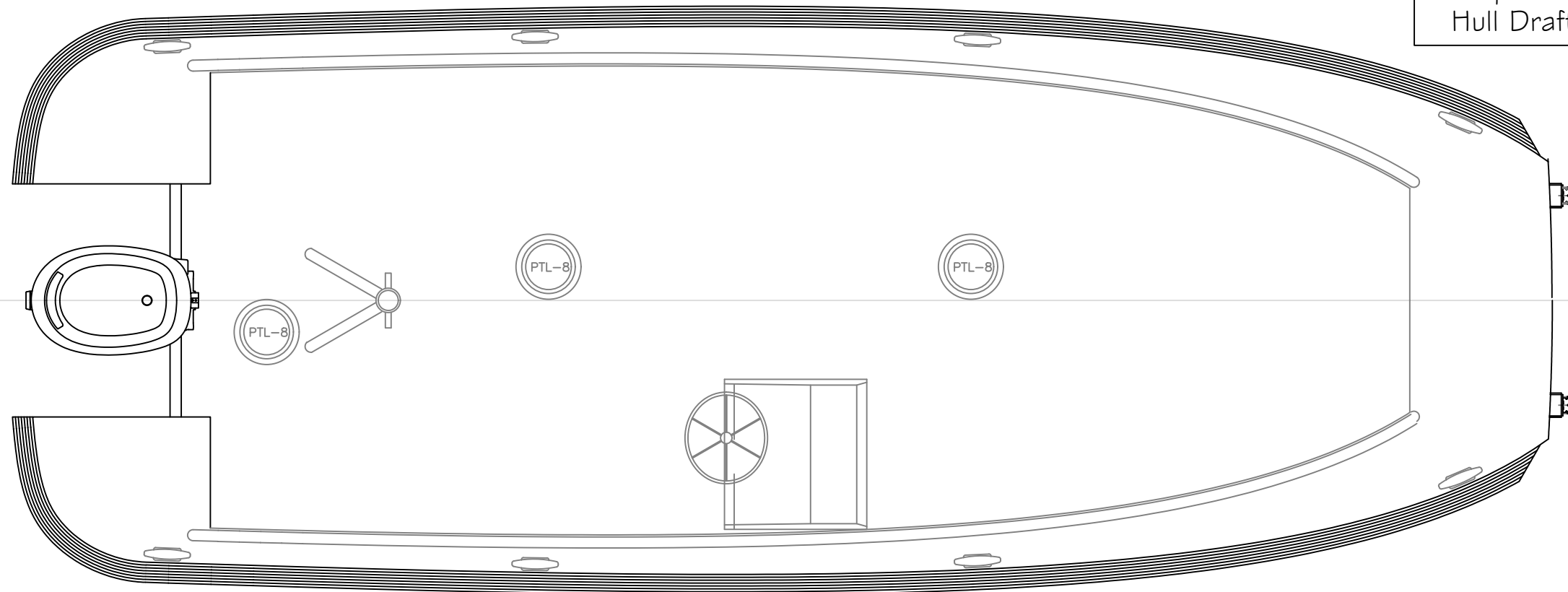


DWL- 3,400#

Particulars
 Hull LOA - 22' - 0"
 Hull Beam- 8' - 0"
 LWL - 17' - 3"
 Displacement- 3,400# - 2 pax, 1/2 fuel
 Hull Draft- 1'2"



REV.	DESCRIPTION

22' Skiff- CIAMBRO CORP.		
OUTBOARD VIEWS		
SCALE 1/2" = 1'	DES/DWN WAL	DATE 1/27/04
Response Marine, Inc. Newburyport, MA www.responsemarine.com		SHEET DWG NO. 0216-01

Response Marine, Inc. NC Parts for #276, Cianbro 22
 File: RMIDes\Cianbro 22
 revised: 1/27/04

Print Date:

3/16" Parts

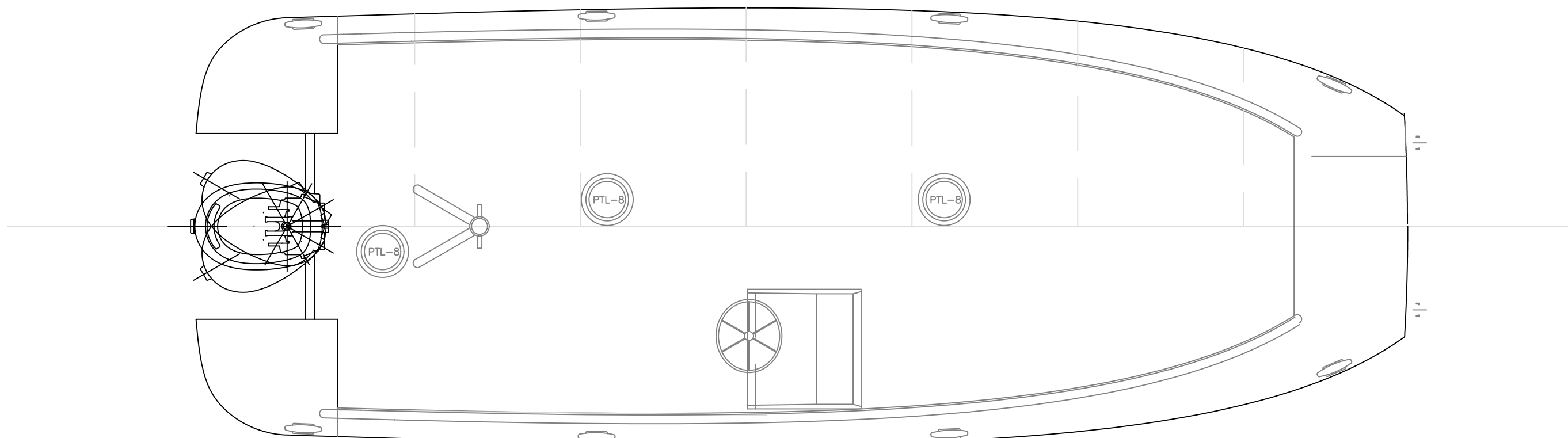
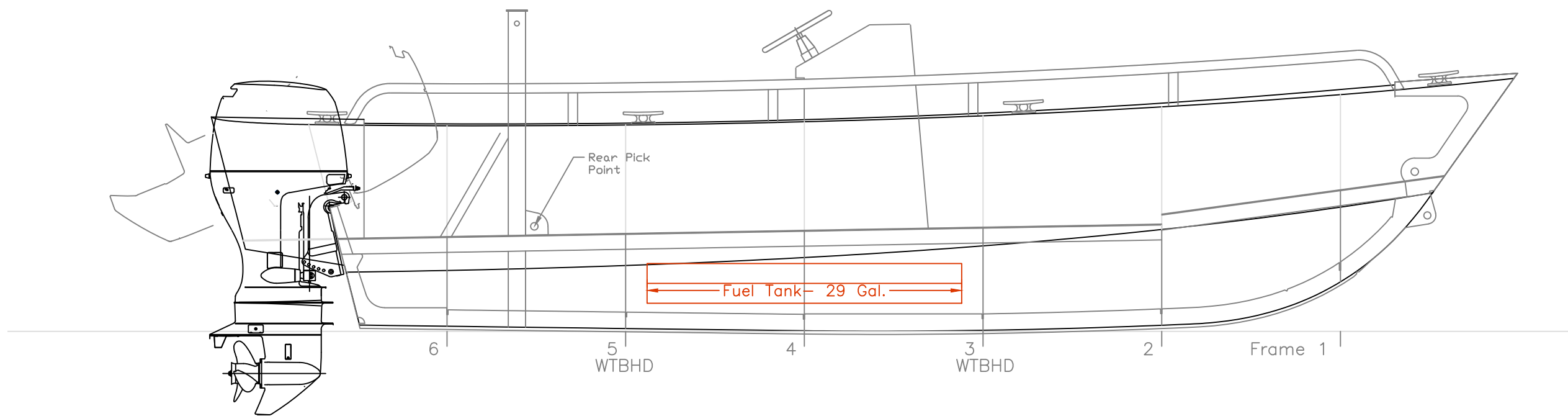
<u>Part #</u>	<u>Pieces</u>	<u>Description</u>
AB	1	Aft Stowage Bhd (Port)
AB-S	1	Aft Stowage Bhd (Stbd)
BL-1A	2	Bottom Longitudinal (Girder) 1A
BL-2A	2	Bottom Longitudinal (Girder) 2A
BL-3A	2	Bottom Longitudinal (Girder) 3A
BS	2	Bow Stiffeners
CB	1	Console Back
CF	1	Console Face
CS	2	Console Side
CS-1	2	Chine Stiffeners (F2-Bow)
D-A	1	Bow Deck
D-B	2	Side Decks (Mid)
D-C	2	Side Decks (Aft)
F1	1	Frame 1
F2	1	Frame 2
F3	1	Frame 3 (bottom)
F4	1	Frame 4 (bottom)
F5	1	Frame 5 (bottom)
F6	1	Frame 6 (bottom)
FDC	1	Fwd Deck Coaming
P-B	2	Pod, Bottom
P-IS	2	Pod, Inside Vertical Topsides
P-TS	2	Pod, Topsides
S-A	2	Sole (fwd)
S-B	2	Sole (mid)
S-C	2	Sole (aft)
SDC	2	Side Deck Coaming
TS	2	Topsides
	44	Total Pieces

1/4" Parts

<u>Part #</u>	<u>Pieces</u>	<u>Description</u>
BL-1	2	Bottom Longitudinal 1 (fwd)
BL-2	2	Bottom Longitudinal 2 (fwd)
BL-3	2	Bottom Longitudinal 3 (fwd)
BOT	2	Bottom Plate
BOW	1	Bow
PK	4	Push Knees
PK-D	2	Push Knee Doubler
PK-F	2	Push Knee, Face
TRAN	1	Transom
TSL	2	Topside Longitudinal (fwd)
TSL-P	2	Topside Longitudinal (Pod)
	22	Total Pieces

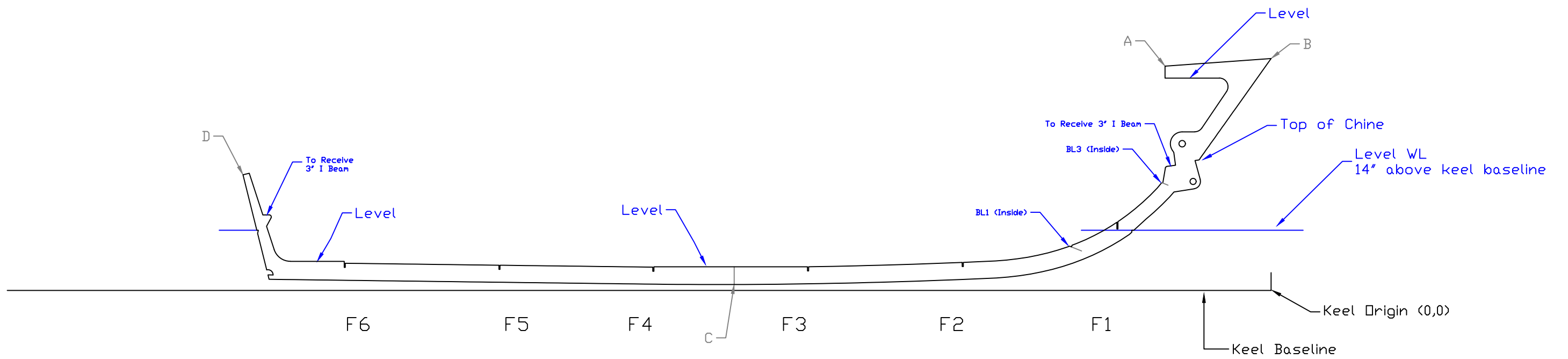
3/8" Parts

<u>Part #</u>	<u>Pieces</u>	<u>Description</u>
CH	2	Chine
KEEL	1	Keel
PPA	1	Pick Point (aft)
TL	1	Transom Lip, 2'x~40"
	5	Total 3/8" parts
	71	Total Cut Parts



22' Skiff- CIAMBRO CORP.		
INBOARD VIEWS		
SCALE 1/2" = 1'	DES/DWN WAL	DATE 1/27/04
Response Marine, Inc. Newburyport, MA www.responsemarine.com		SHEET DWG NO. 0216-02

REV.	DESCRIPTION



Keel Coordinates (Inches)
Measured from Origin (0,0)

Keel Coordinates (Millimeters)
Measured from Origin (0,0)



Notes:

1) Aft of Frame 1, Top of Bottom Plate meets keel 5/8" (17mm) vertically above bottom of keel. Forward of Frame 1, exposed keel fairs to zero.

2) For frame heights on Keel, refer to Frame drawing FR-01.

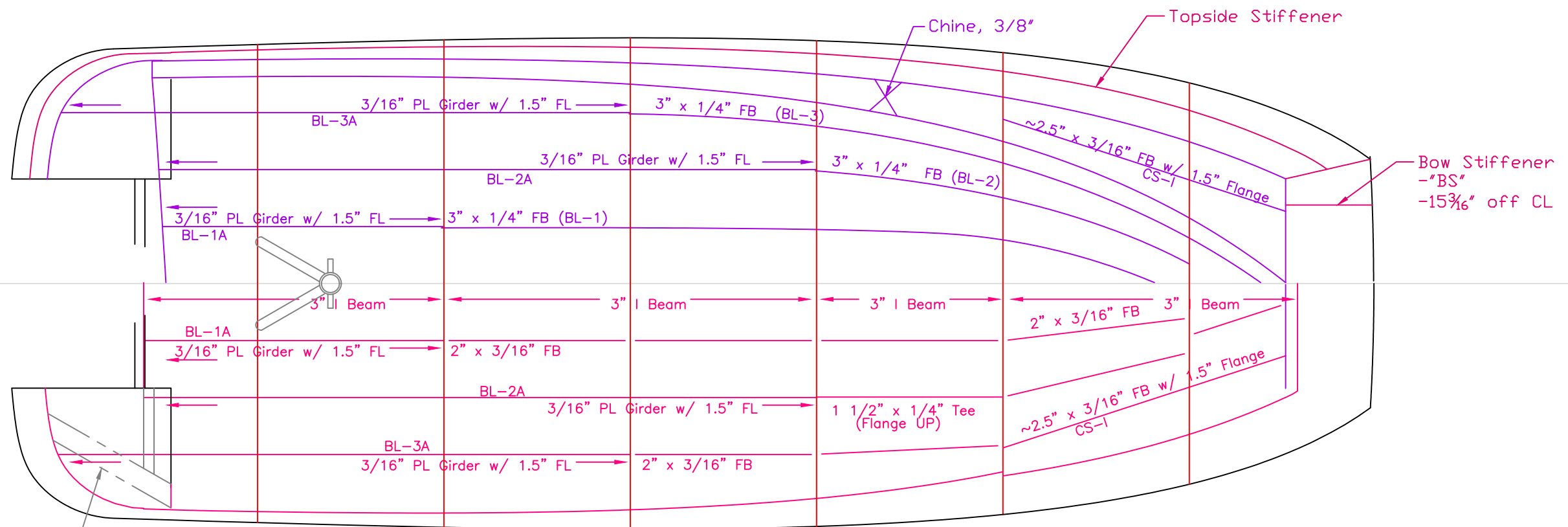
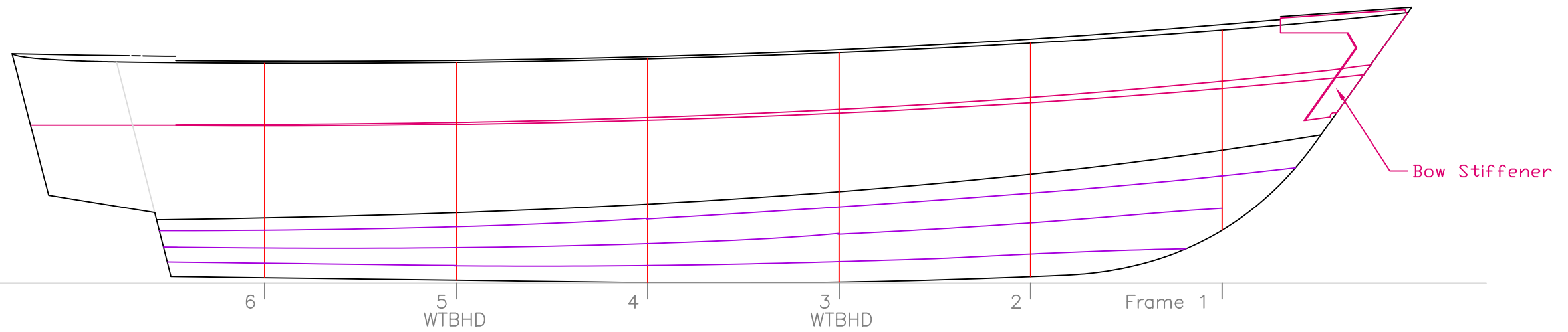
22' Skiff- CIANBRO CORP.

Keel Layout

SCALE 1/2" = 1'	DES/DWN WAL/ARK	DATE 01/23/04
--------------------	--------------------	------------------

Response Marine, Inc. Newburyport, MA www.responsemarine.com		SHEET DWG NO. 0216-02-01
--	--	--------------------------------

REV.	DESCRIPTION



Bottom Stringers

Deck Stringers

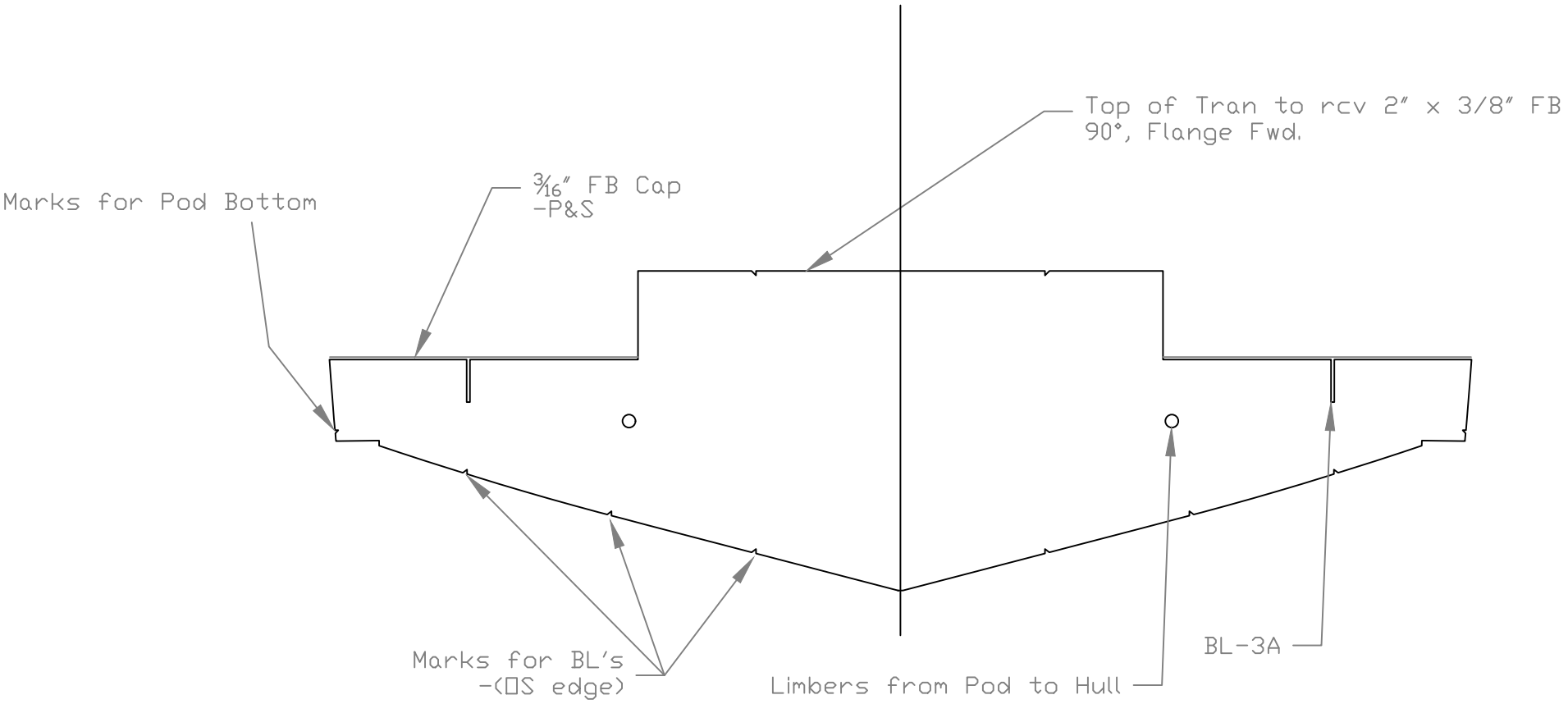
Scupper Tubes- 4"x2" Bent Channel
to 3" Pipe at transom w/ Flap
-2"x1" Channel feeding from CL area

Note:
BL-1A,-2A,-3A have 1 1/2" bent flanges.
Flanges face Outboard.
See Dwg 216-B-1 for Bending Details.

REVISED FOR BENT FLANGES 6/11/07

22' Skiff- CIANBRO CORP.		
Hull Stringers		
SCALE 1/2" = 1'	DES/DWN WAL/ARK	DATE 01/26/04
Response Marine, Inc. Newburyport, MA, www.responsemarine.com		SHEET DWG NO. 0216-02-02

REV.	DESCRIPTION



22' Skiff- CIAMBRO CORP.

TRANSOM

SCALE 1" = 1'	DES/DWN WAL / ARK	DATE 1/26/04
------------------	----------------------	-----------------

REV.	DESCRIPTION	SHEET
------	-------------	-------

Response Marine, Inc.
Newburyport, MA www.responsemarine.com

DWG NO.
0216-02-03

Hull Stringer & Frame Deck Flanges

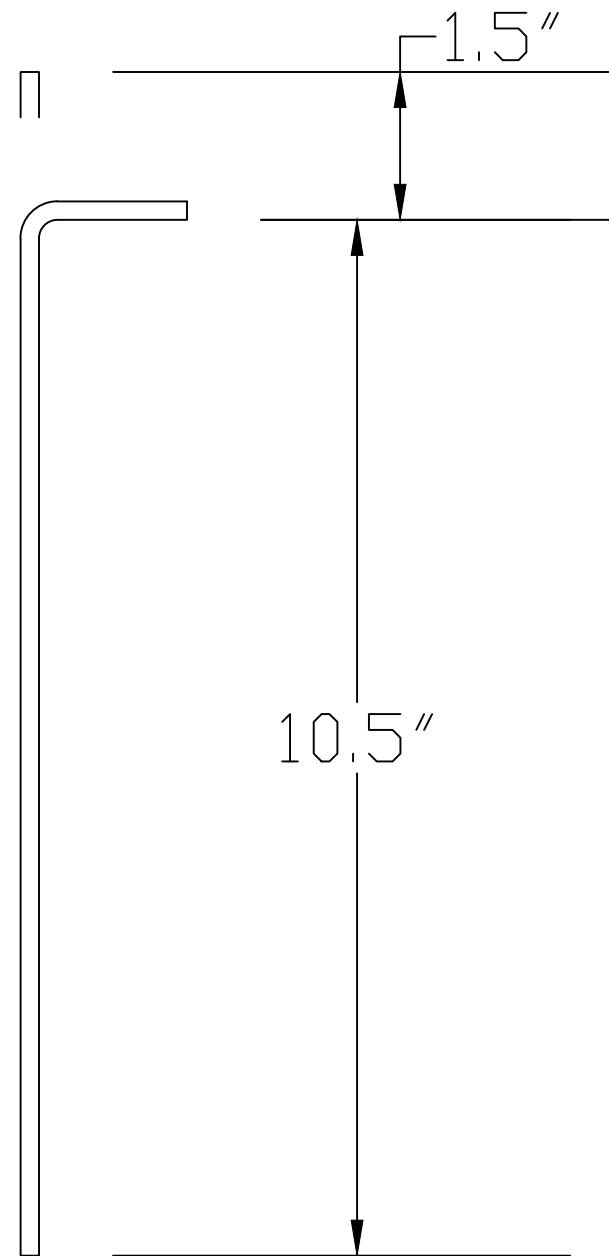
1½" of Stock added above INSIDE of Finished Flange

Stringer Flanges are 90° Outboard

Frame 1 Flange is 98° (inside), Flange Forward

Frames 3-6 Flanges are 91° (inside), Flange Forward

Test Back Gauge Setting to confirm 10½" dimension on a 12" blank

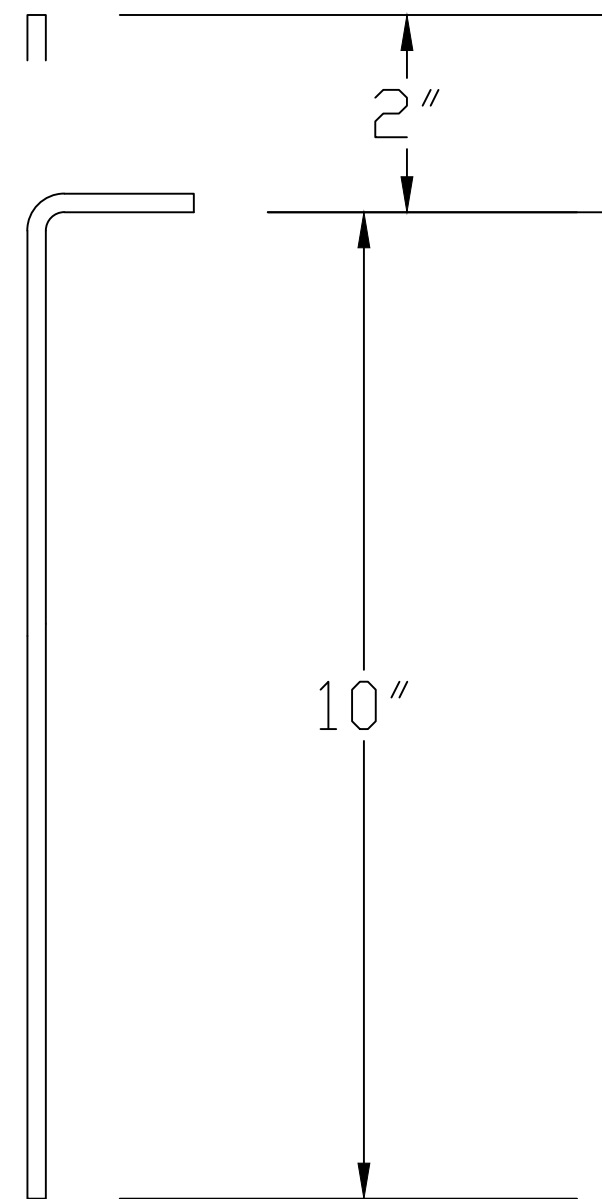


Topside Frame Flanges

2" of Stock added above INSIDE of Finished Flange

Bend Flanges 90° Forward

Test Back Gauge Setting to confirm 10" dimension on a 12" blank



22' Skiff- CIANBRO CORP.

Flange Bending- Frames & Stringers

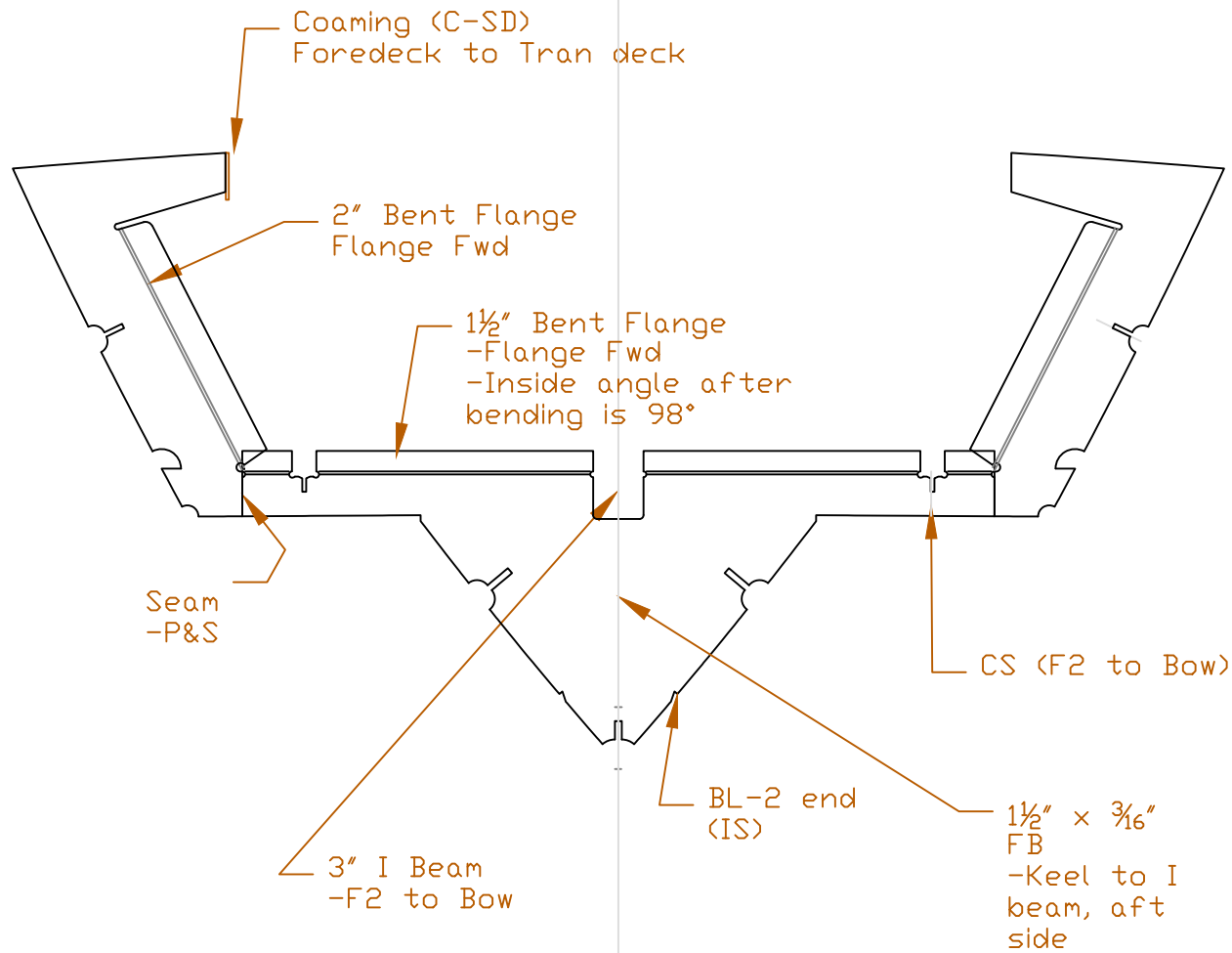
SCALE 1/2" = 1'	DES/DWN WAL/ARK	DATE 6/11/07
--------------------	--------------------	-----------------

REV.	DESCRIPTION	SHEET
------	-------------	-------

Response Marine, Inc.
Newburyport, MA, www.responsemarine.com

DWG NO.
0216-B-1

F 1

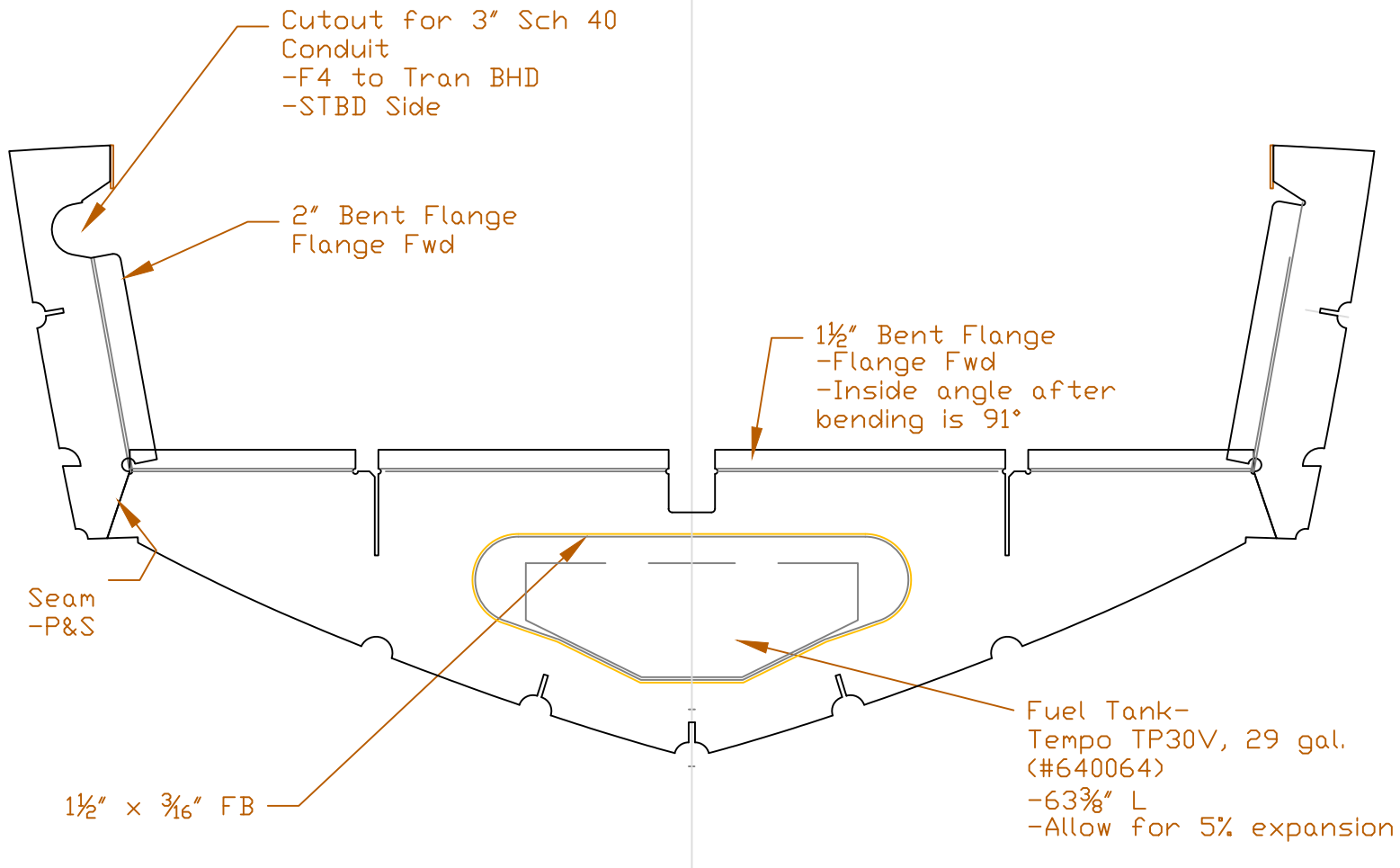


REVISED FOR BENT FLANGES 6/11/07

REV.	DESCRIPTION

22' Skiff- CIANBRO CORP.		
Frame 1		
SCALE 1" = 1'	DES/DWN WAL / ARK	DATE 01/23/04
Response Marine, Inc. Newburyport, MA www.responsemarine.com		SHEET DWG NO. 0216-F01

F4 L'kg AFT



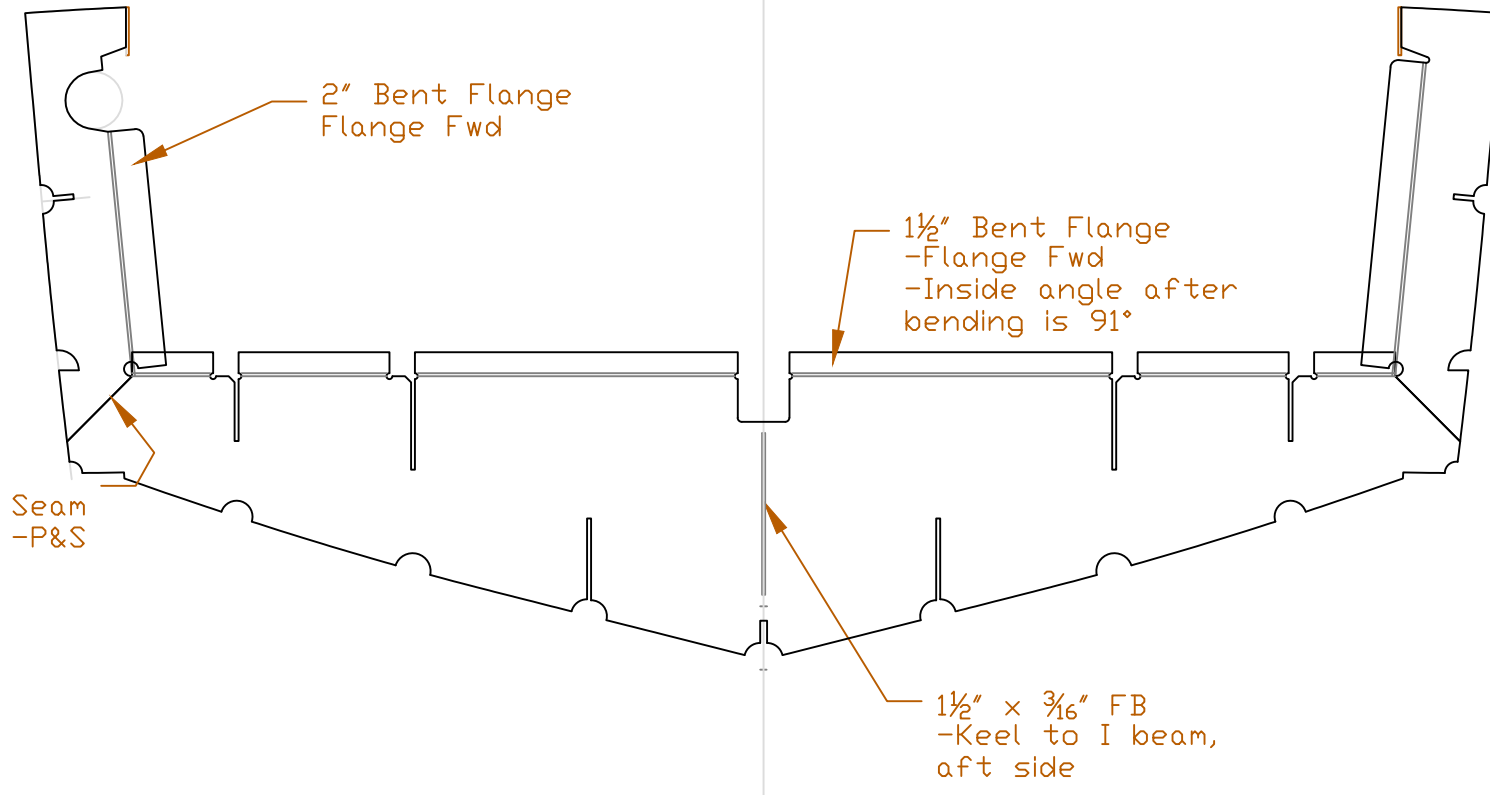
REVISED FOR BENT FLANGES 6/11/07

REV.	DESCRIPTION

22' Skiff- CIANBRO CORP.		
Frame 4		
SCALE 1" = 1'	DES/DWN WAL / ARK	DATE 01/23/04
Response Marine, Inc. Newburyport, MA www.responsemarine.com		SHEET DWG NO. 0216-F04

F6

L'kg AFT



22' Skiff- CIANBRO CORP.		
Frame 6		
SCALE 1" = 1'	DES/DWN WAL / ARK	DATE 01/23/04
Response Marine, Inc. Newburyport, MA www.responsemarine.com		SHEET DWG NO. 0216-F06

REVISED FOR BENT FLANGES 6/11/07

REV.	DESCRIPTION