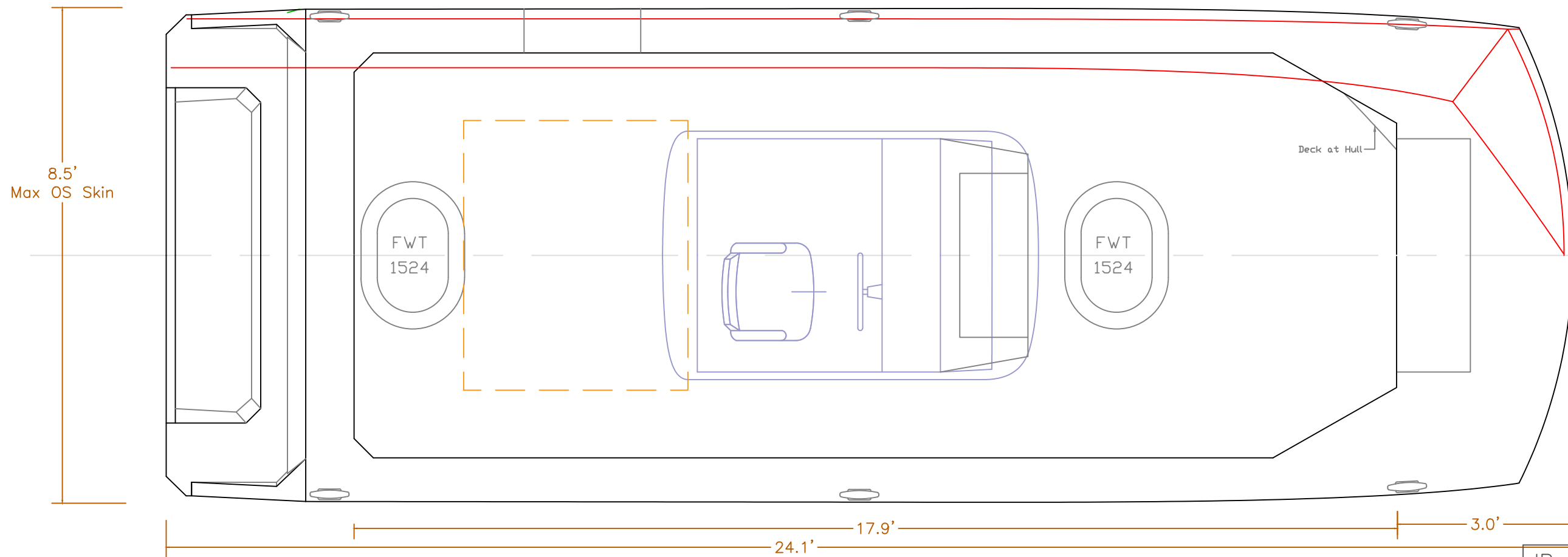
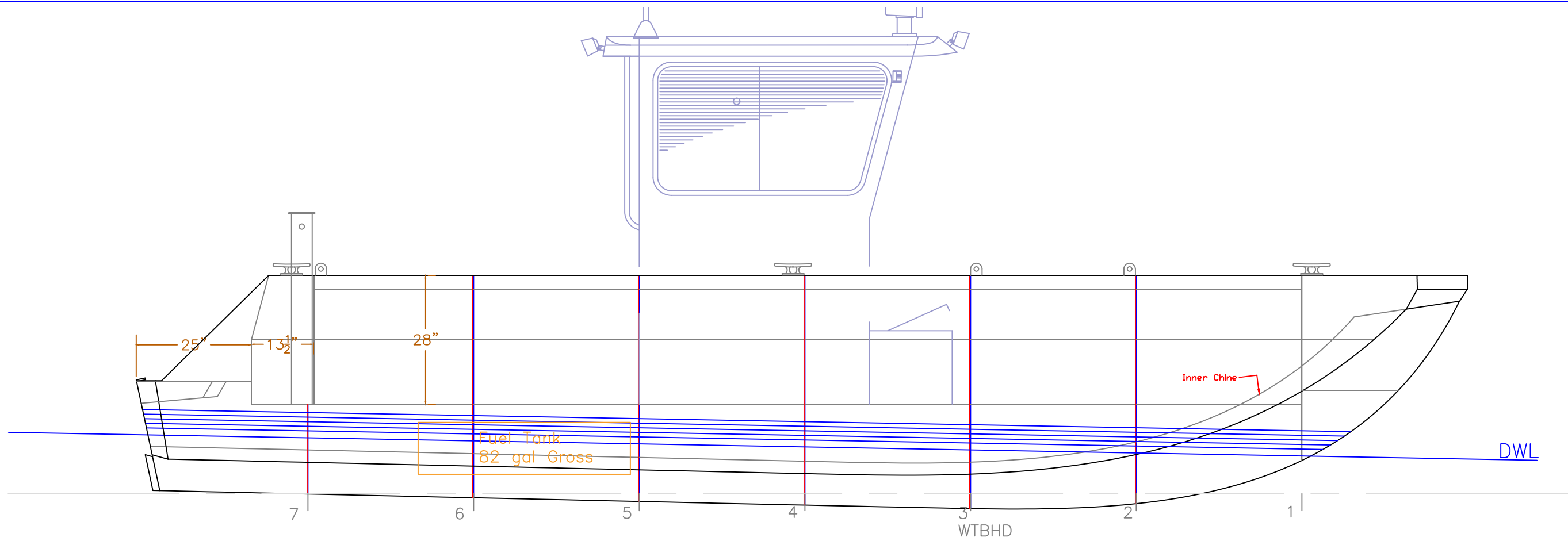
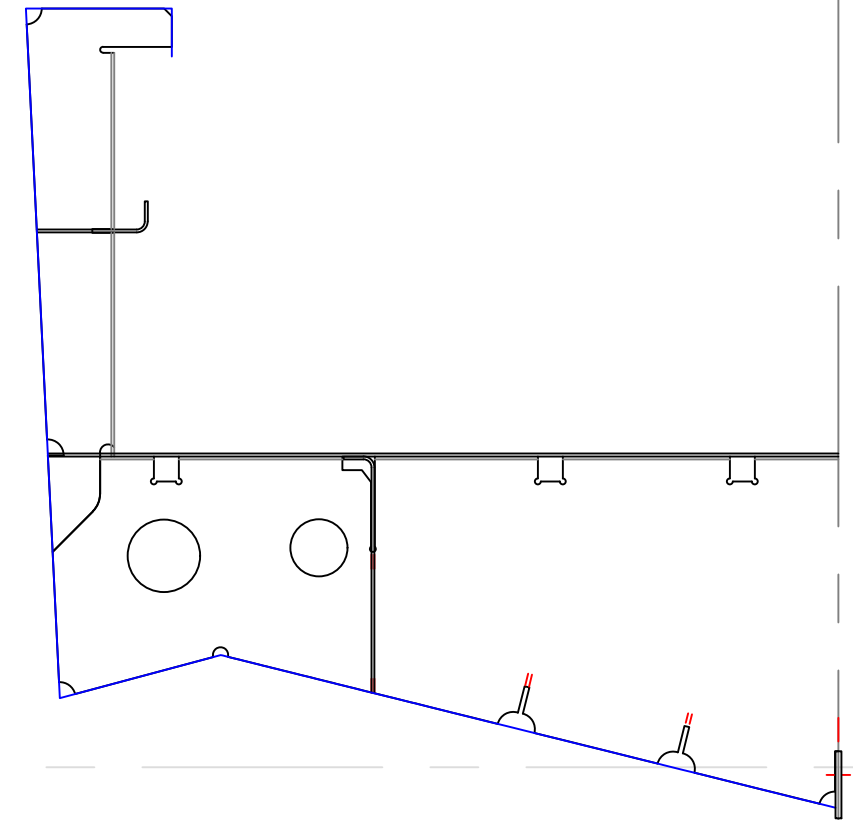
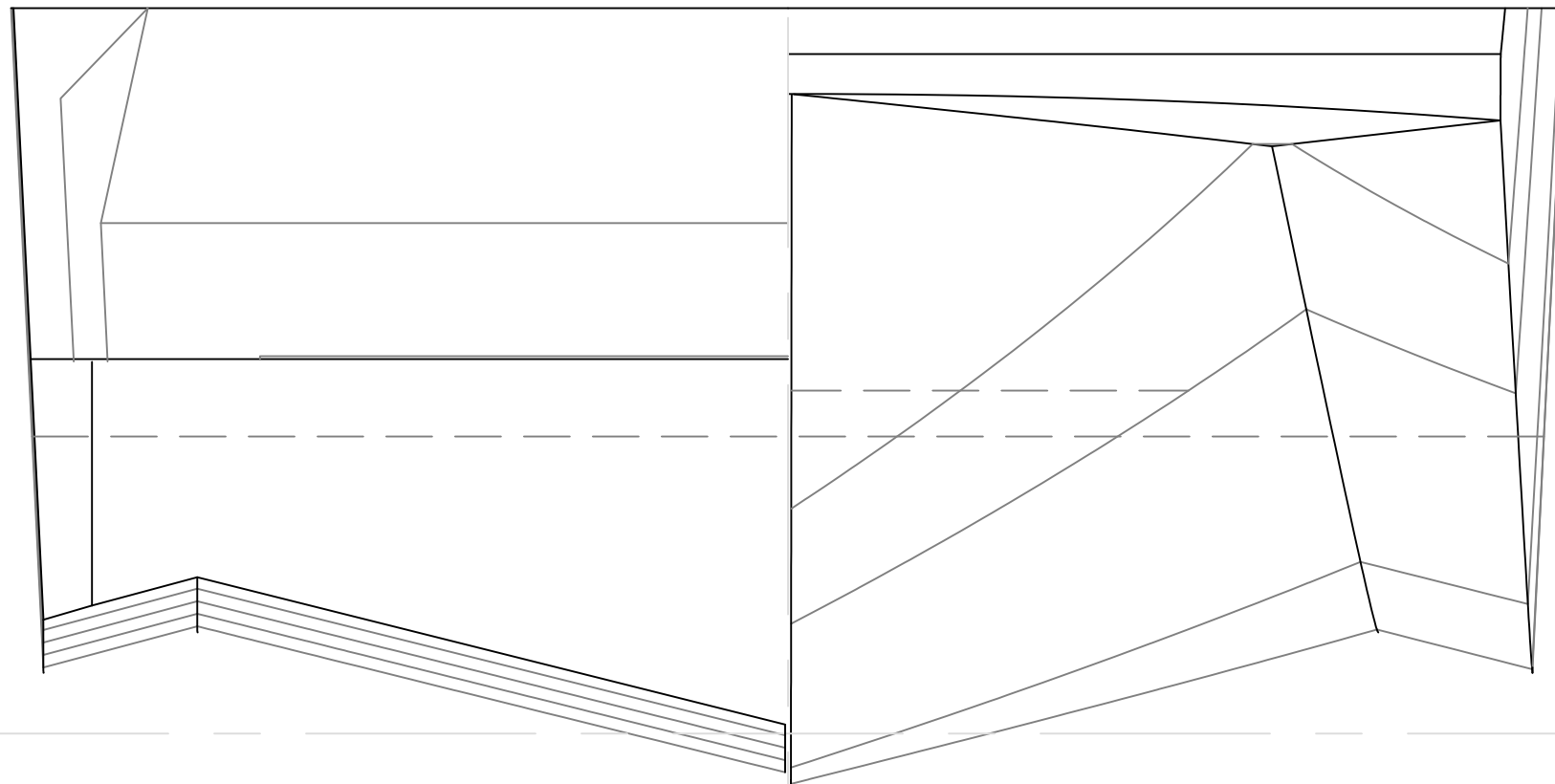


OB Profile on DWL		
RC-24x8.5' Cathedral		
SCALE 1/2" = 1'	DES/DWN WAL	DATE 5/23/18
Response Marine, Inc. Newburyport, MA, www.responsemarine.com		REV 7/20/18
REV. DESCRIPTION R1, 7/20/18. Minor Transom Changes		DWG. NO. 576-1, R1



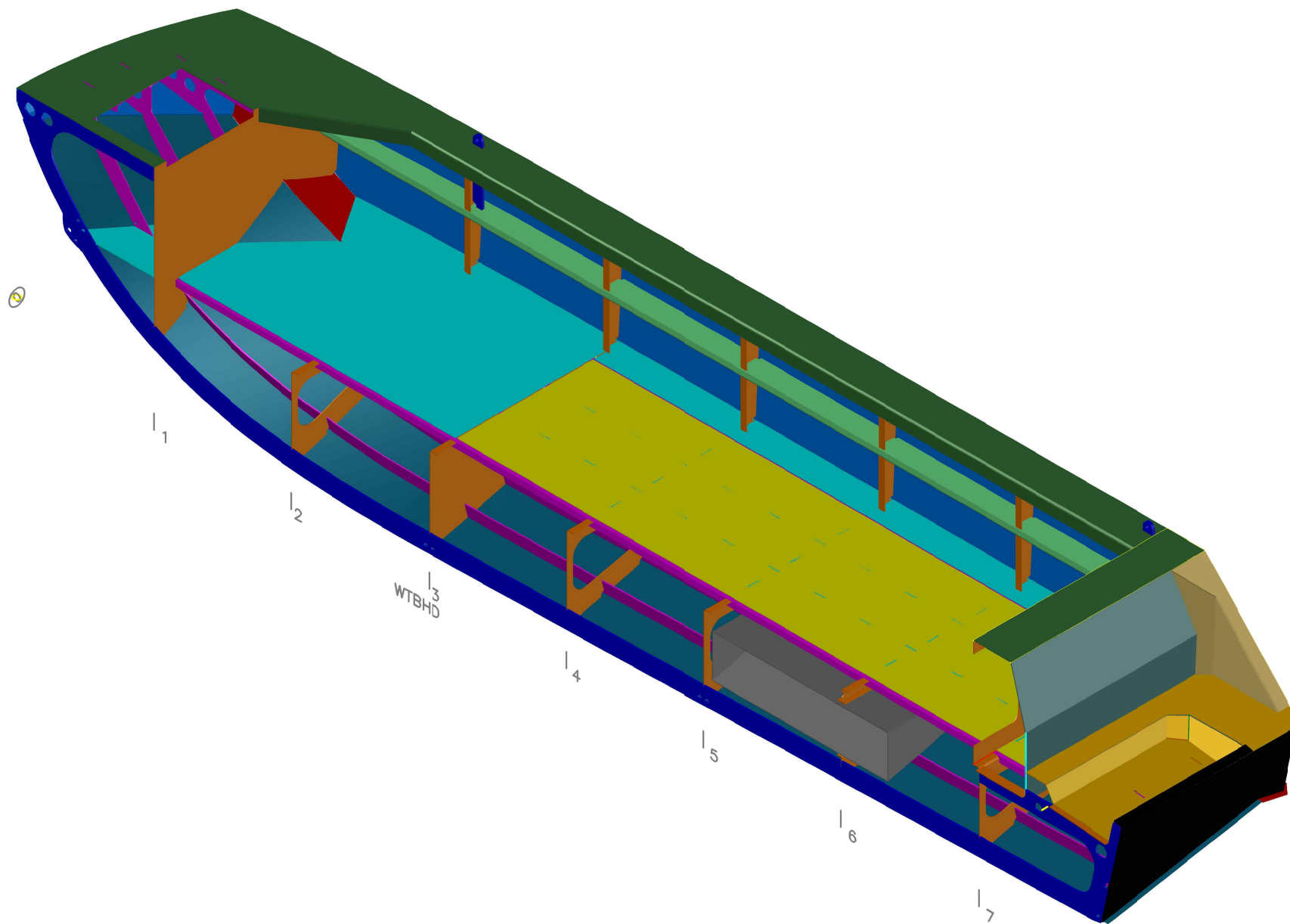
IB Pro. & Arrang.		
RC-24x8.5' Cathedral		
SCALE 1/2" = 1'	DES/DWN WAL	DATE 5/23/18
REV 7/20/18		REV 7/20/18
Response Marine, Inc. Newburyport, MA, www.responsemarine.com		DWG. NO. 576-2, R1

REV.	DESCRIPTION
R1, 7/20/18.	Minor Transom Changes



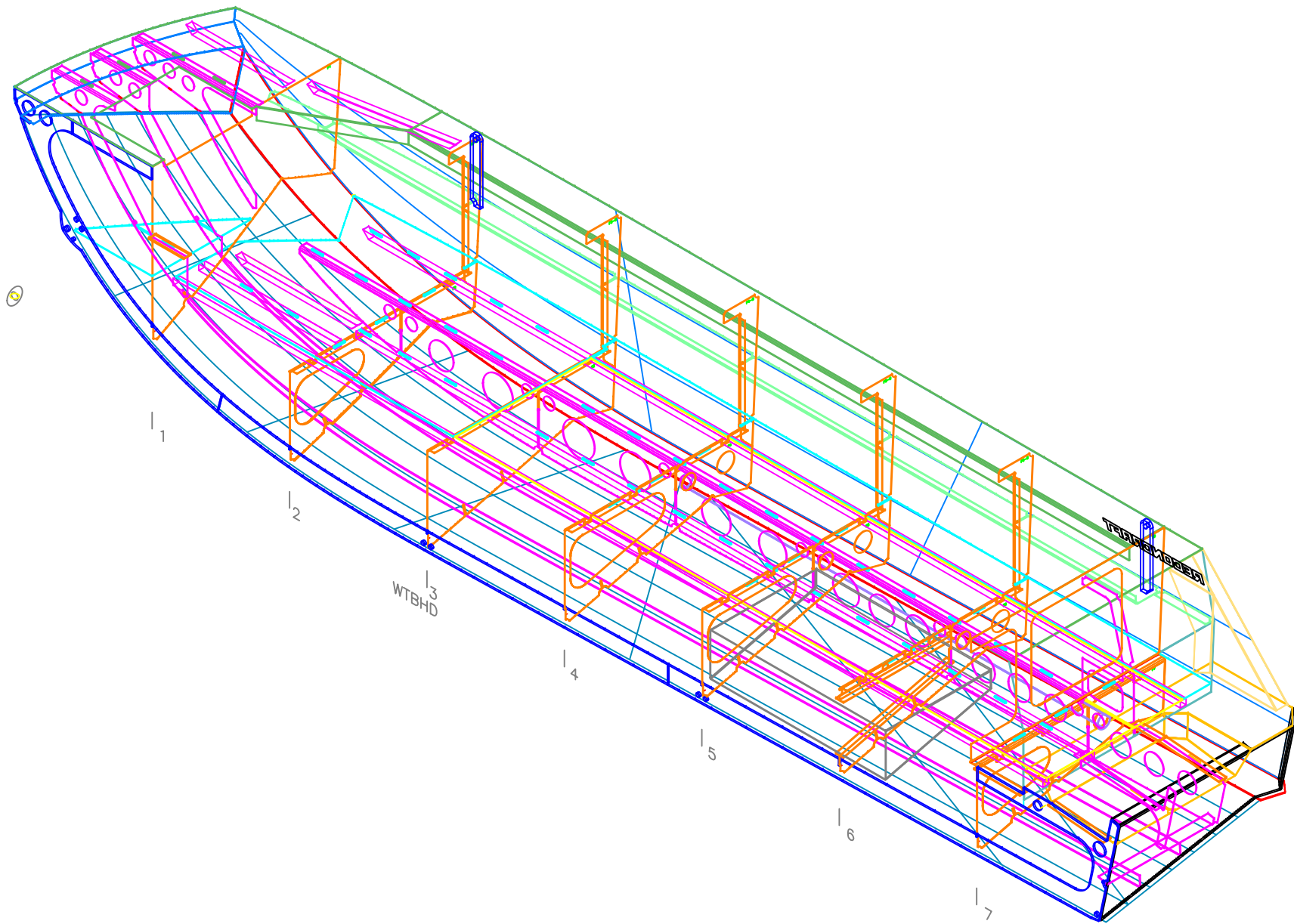
Body Plan & Typ. Frame		
RC-24x8.5' Cathedral		
SCALE 1" = 1'	DES/DWN WAL	DATE 5/23/18
Response Marine, Inc. Newburyport, MA, www.responsemarine.com		REV 7/20/18
R1, 7/20/18. Minor Transom Changes		DWG. NO. 576-3, R1

REV. DESCRIPTION
R1, 7/20/18. Minor Transom Changes



3D Shaded #1		
RC-24x8.5' Cathedral		
SCALE NONE	DES/DWN WAL	DATE 7/20/18
REV.		DWG. NO. 576-3d-1s
REV.	DESCRIPTION	

Response Marine, Inc.
 Newburyport, MA, www.responsemarine.com



3D Skeleton #1		
RC-24x8.5' Cathedral		
SCALE NONE	DES/DWN WAL	DATE 7/20/18
REV.		DWG. NO. 576-3d-1

REV.	DESCRIPTION

Response Marine, Inc.
 Newburyport, MA, www.responsemarine.com