

DRAWING LIST

<b>Delivered</b>	<b>Design</b>	<b>Dwg</b>	<b>Description</b>
Response Marine, Inc. Pilot 31		278 -01	Profile
		-02	Plan
		-03	IBD Plan
		-09	Navigation Lights
		2-1	Keel Layout
		2-2	Bottom Framing
		2-3	Structural Profile
		2-4	Hull Plating
		2-5	Cockpit Deck
		2-6	Side & Fore Decks
		2-7	Transom
		3-1	Fwd Fuel Tank
		3-2	Aft Fuel Tank
		4-1	House Skins
		4-2	House Windshield & Cuddy Top
		4-3	House Profile
		4-4	House Aft Bhd
		4-5	Dash Bhd
		4-6	Roof Profile & Handrail
		4-7	House Frame & Section
		F-R	Frame Dimensions
		F-1	Frame 1
		F-2	Frame 2
		F-3	Frame 3
		F-4	Frame 4
		F-5	Frame 5
		F-6	Frame 6
		F-7	Frame 7
		F-8	Frame 8
		F-9	Frame 9

Response Marine, Inc.

Plaz Parts for Pilot 31, Evans  
 File: RMI\des\Evans Pilot  
 revised: 2/24/07

Print Date: 2/28/12

**3/16" Parts- 5052**

<u>Part #</u>	<u>Pieces</u>	<u>Description</u>	<u>Stock</u>	<u>Bending</u>
ALB	1	Anchor Locker Bottom	3A-6	
CT	1	Cuddy Top	3A-2	Y
CTFT	1	Cuddy Front	3A-1	
CTS	2	Cuddy Sides	3A-3,3A-4	
DA	1	Dash Top	3A-6	Y
DB	1	Dash Bhd	3A-6	
D-F2	2	Step Deck at F2-F1	3A-6, 3A-9	
J-BC	1	Jig, Bow Cone, top corners	3A-1	
J-CT	1	Jig, Cuddy Top (90 deg off Pnl)	3A-3	
J-CT-CF	1	Jig, Cuddy Top to Cuddy Front	3A-5	
J-CT-D	1	Jig, Cuddy Top to Dash	3A-5	
J-F3-CT	1	Jig, Cuddy Trunk/Top at F3	3A-3	
J-SG	2	Jig, Sheer Guard	3A-2, 3A-6	
J-SGBC	1	Jig, Bow Cone at Sheer Guard	3A-2	
J-WSC-CT-1	1	Jig, WS ctr to Cuddy Top, IS	3A-5	
J-WSC-CT2	1	Jig WS ctr to Cuddy Top, OS	3A-1	
J-WSC-PW	1	Jig, Windshield Ctr to Pilot Window	3A-5	
PHB	2	Pilothouse Bhd P/S	3A-3,3A-7	
PHS	2	Pilothouse Side	3A-1, 3A-5	Y
R	1	Pilothouse Roof	3A-7	
SDC-A	2	Side Deck Coaming, Fwd Jog	3A-1, 3A-5	
SDC-B	2	Side Deck Coaming, Main	3A-1, 3A-5	
TA-1	2	Aft Tank Ends	3A-9	
TA-2	1	Aft Tank Body	3A-10	Y
TA-3	1	Aft Tank Top	3A-7	
TA-4	2	Aft Tank Baffle	3A-10	
TF-1	2	Aft Tank Ends	3A-8	
TF-2	1	Fwd Tank Body	3A-8	Y
TF-3	1	Fwd Tank Top	3A-9	
TF-4	2	Fwd Tank Baffle	3A-10	
	41	Sub Total		

**3/16" Parts- 5083/86**

<u>Part #</u>	<u>Pieces</u>	<u>Description</u>	<u>Stock</u>	<u>Bending</u>
BC	1	Bow Cone	3-7	Y
F1	1	Frame 1	3-7	
F2	1	Frame 2	3-7	
F-2U	1	Frame 2, upper	3-7	
F3	1	Frame 3	3-5	
F3	1	Frame 3, Port/Stbd	3-5,3-6	
F4	1	Frame 4	3-6	
F4-U	1	Frame 4, Upper	3-6,3-7	
F5	1	Frame 5	3-6	
F-5U	1	Frame 5, upper	3-5,3-7	
F6	1	Frame 6	3-6	
F-6U	1	Frame 6, upper	3-5,3-7	

F7	1	Frame 7	3-5	
F-7U	1	Frame 7, upper	3-5	
F8	1	Frame 8	3-5	
F8-U	1	Frame 8, Upper Stbd	3-6	
F9	1	Frame 9	3-7	
F9-P	1	Frame 9, Upper Port	3-6	
F9-S	1	Frame 9, Upper Stbd	3-6	
FD-P	1	Foredeck, Port	3-4	
FD-S	1	Foredeck, Stbd	3-2	
RB	1	Roof Beam	3-7	
SD-AP	1	Side Deck, Fwd Port	3-3	
SD-AS	1	Side Deck, Fwd Stbd	3-4	
SD-BP	1	Side Deck, Aft Port	3-4	
SD-BS	1	Side Deck, Aft Stbd	3-3	
SM-AP	1	Sole Margin Plates, Fwd, Port	3-4	
SM-AS	1	Sole Margin Plates, Fwd, Stbd	3-2	
SM-BP	1	Sole Margin Plates, Aft, Port	3-4	
SM-BS	1	Sole Margin Plates, Aft, Stbd	3-2	
T-C1	2	Transom Compartment Panel	3A-2	
TS-AP	1	Topsides, forward, Port	3-3	
TS-AS	1	Topsides, forward, Stbd	3-1	
TS-BP	1	Topsides, aft, Port	3-3	
TS-BS	1	Topsides, aft, Stbd	3-1	
TSS	2	Topsides Stringer, Stem-F4	3-1,3-3	
WS-1	1	Windshield, Center	3A-3,3A-4	Y
WS-2	2	Windshield, Port/Stbd	3A-1, 3A-5	Y
	41	Total Pieces (3/16")		

#### **1/4" Parts**

<u>Part #</u>	<u>Pieces</u>	<u>Description</u>	<u>Stock</u>	<u>Bending</u>
B-AP	1	Bottom Plate, Fwd Port	4-3	
B-AS	1	Bottom Plate, Fwd Stbc	4-4	
B-BP	1	Bottom Plate, Aft Port	4-1	
B-BS	1	Bottom Plate, Aft Stbd	4-2	
BS-1A	2	Bottom Longitudinal 1 (fwd)	4-5,4-6	
BS-1B	2	Bottom Longitudinal 1 (aft)	4-5,4-6	
BS-2A	2	Bottom Longitudinal 2 (fwd)	4-5,4-6	
BS-2B	2	Bottom Longitudinal 2 (aft)	4-5,4-6	
BS-3A	2	Bottom Longitudinal 3 (fwd)	4-5,4-6	
BS-3B	2	Bottom Longitudinal 3 (aft)	4-5,4-6	
BS-4A	2	Bottom Longitudinal 4 (fwd)	4-5,4-6	
BS-4B	2	Bottom Longitudinal 4 (mid)	4-5,4-6	
BS-5A	2	Bottom Longitudinal 5 (fwd)	4-5,4-6	
BS-5B	2	Bottom Longitudinal 5 (fwd)	4-5,4-6	
SG-AP	1	Sheer Guard, fwd, port	4-3	
SG-AS	1	Sheer Guard, fwd, stbd	4-4	
SG-BC	1	Sheer Guard at Bow Cone	4-3	Y
SG-BP	1	Sheer Guard, Aft, port	4-1	
SG-BS	1	Sheer Guard, Aft, stbd	4-2	
SG-T	2	Sheer Guard at Transom	4-3,4-4	
	31	Total Pieces		

#### **3/8" Parts**

<u>Part #</u>	<u>Pieces</u>	<u>Description</u>	<u>Stock</u>	<u>Bending</u>
---------------	---------------	--------------------	--------------	----------------

C-A	2	Chine Fwd	6-1
C-B	2	Chine Aft	6-1
K-A	1	Keel, Deck at Stem	6-1
K-B	1	Keel, Stem	6-1
K-C	1	Keel, Mid	6-1
K-D	1	Keel, Aft	6-1
TR	1	Transom	6-1
	9	Total 3/8" parts	
	122	Total Cut Parts	

Response Marine, Inc.  
 Stock List for Pilot 31, Evans  
 revised: 2/16/07

Print Date: 2/16/07

**SHEET/PLATE**

**FOR NC Cutting:**

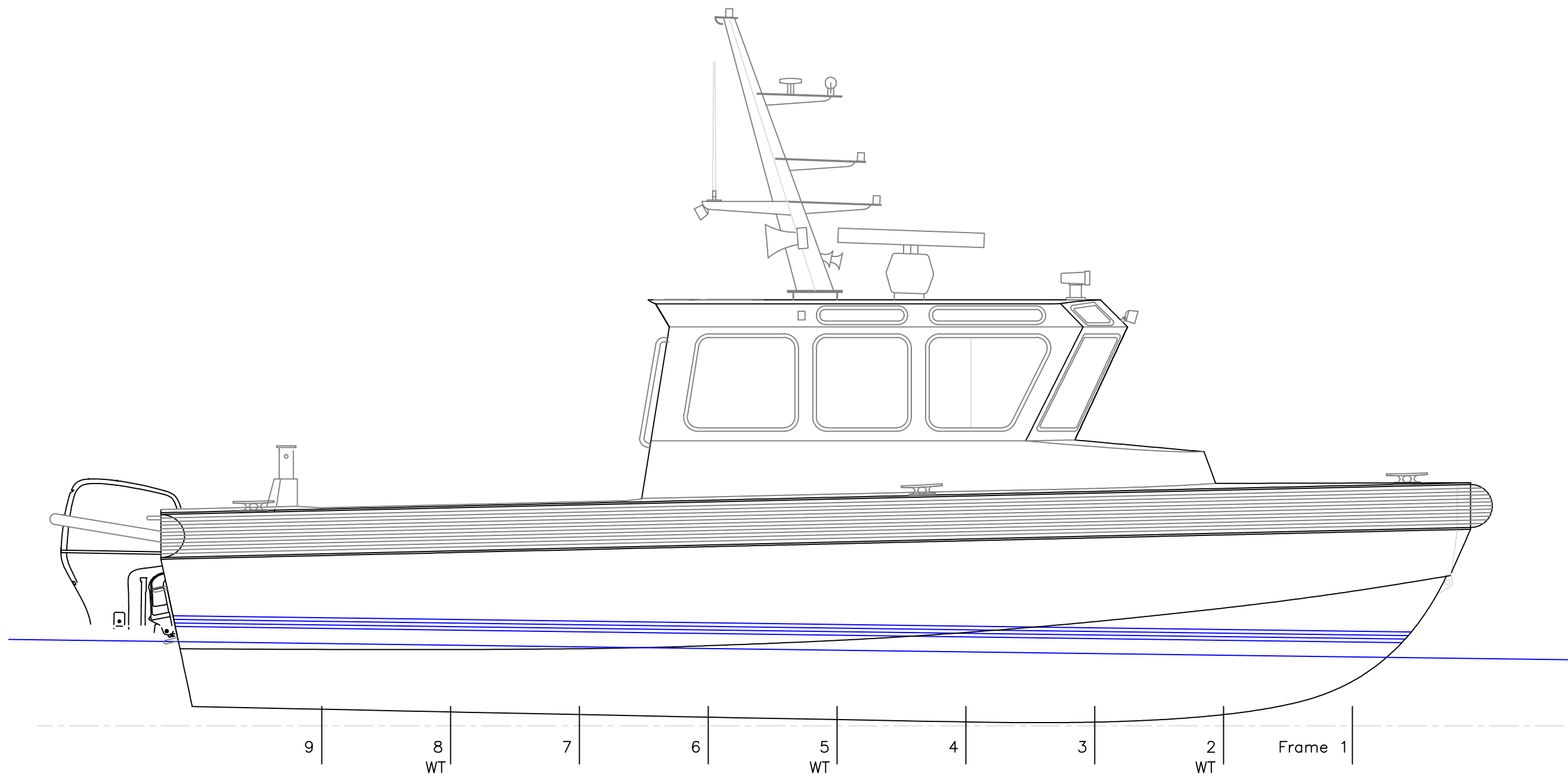
<u>QTY</u>		<u>Thick</u>	<u>Width</u>	<u>Lngth</u>	<u>lbs/ft^2</u>	<u>lbs</u>
7	3/16" Sheet- 5083 H116, MARINE	0.190	60	240	2.67	1,869
2	1/4" Plate- 5083 H116, MARINE	0.250	72	144	3.456	498
2	1/4" Plate- 5083 H116, MARINE	0.250	60	240	3.456	691
2	1/4" Plate- 5083 H116, MARINE	0.250	72	240	3.456	829
1	3/8" Plate- 5083 H116, MARINE	0.375	60	240	5.184	518
10	3/16" Sheet- 5052 H32	0.19	72	153	2.67	2,043
Sub Total						6,448

**FOR Blank Stock:**

<u>QTY</u>		<u>Thick</u>	<u>Width</u>	<u>Lngth</u>	<u>lbs/ft^2</u>	<u>lbs</u>
5	3/16" Sheet- 5052 H32	0.19	48	96	2.67	427
1	3/16" Sheet- 5052 H32	0.19	48	144	2.67	128
Sub Total						555

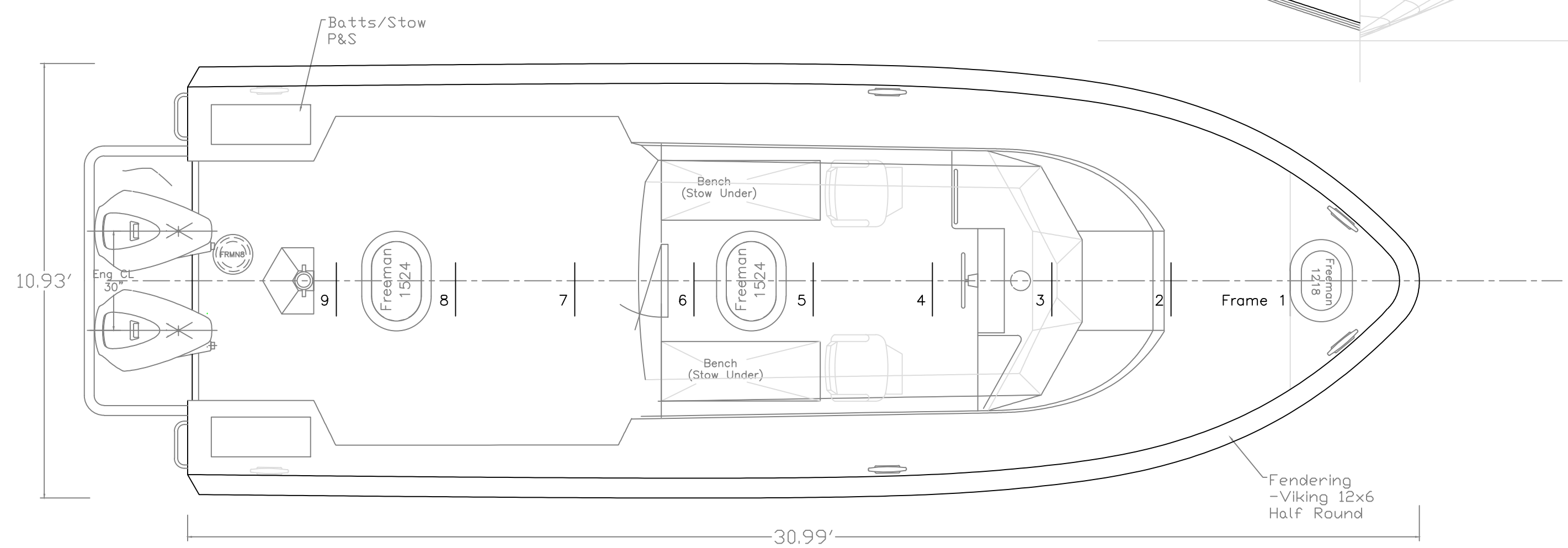
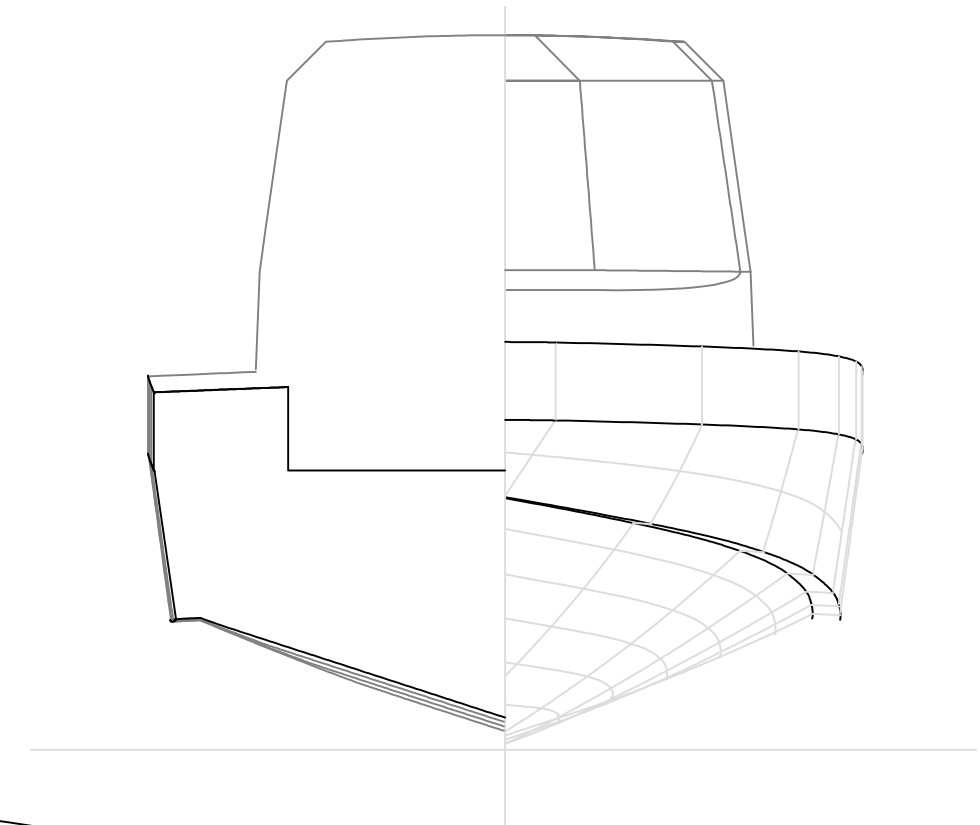
**EXTRUSION**

<u>QTY</u>	<u>Item</u>	<u>Alloy</u>	<u>Thick</u>	<u>Width</u>	<u>Lgth (ft)</u>	<u>lbs/ft</u>	<u>lbs</u>
1	AA Standard Channel 1.737#	6061 T6	0.15	4x2	25	1.737	43
2	Channel	6061 T6	0.125	2x1	25	0.563	28
1	Angle	6061 T6	0.125	2x2	16		0
1	Angle	6061 T6	0.25	3x2	25	1.4	35
1	Angle	6061 T6	0.19	2*2	25	0.85	21
16	Tee	6061 T6	0.25	1.5x1.5	25	0.87	348
11	Flat Bar	6061 T6	0.19	1.5	12	0.3318	44
1	Flat Bar	6061 T6	0.19	2	12	0.4425	5
6	1" sch 40 pipe	6063			20	0.581	70
1	4" sch 10 pipe	6061 T6			20	1.87	37
Total Extrusion:							632
TOTAL AL							7,636



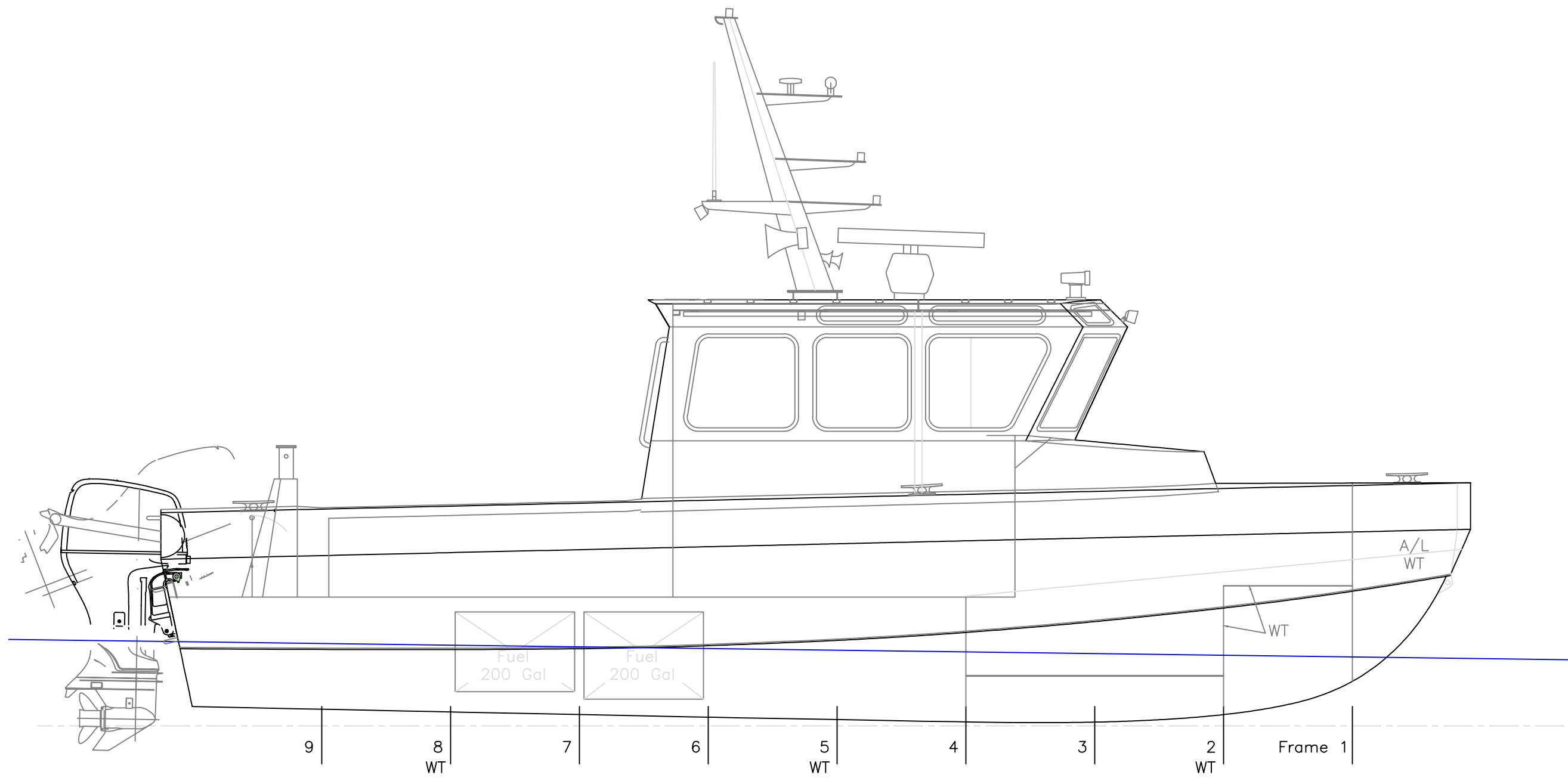
R-310C, PROFILE		
For: Salem Sound Trans		
SCALE 3/8"=1'	DES/DWN WAL	DATE 6/28/07
<b>Response Marine, Inc.</b> Newburyport, MA, www.responsemarine.com		REV DWG NO. 278-01

REV.	DESCRIPTION



R-310C, PLAN VIEW		
For: Salem Sound Trans		
SCALE 3/8"=1'	DES/DWN WAL	DATE 6/28/07
SHEET		DWG NO. 278-0
<b>Response Marine, Inc.</b> Newburyport, MA, <a href="http://www.responsemarine.com">www.responsemarine.com</a>		

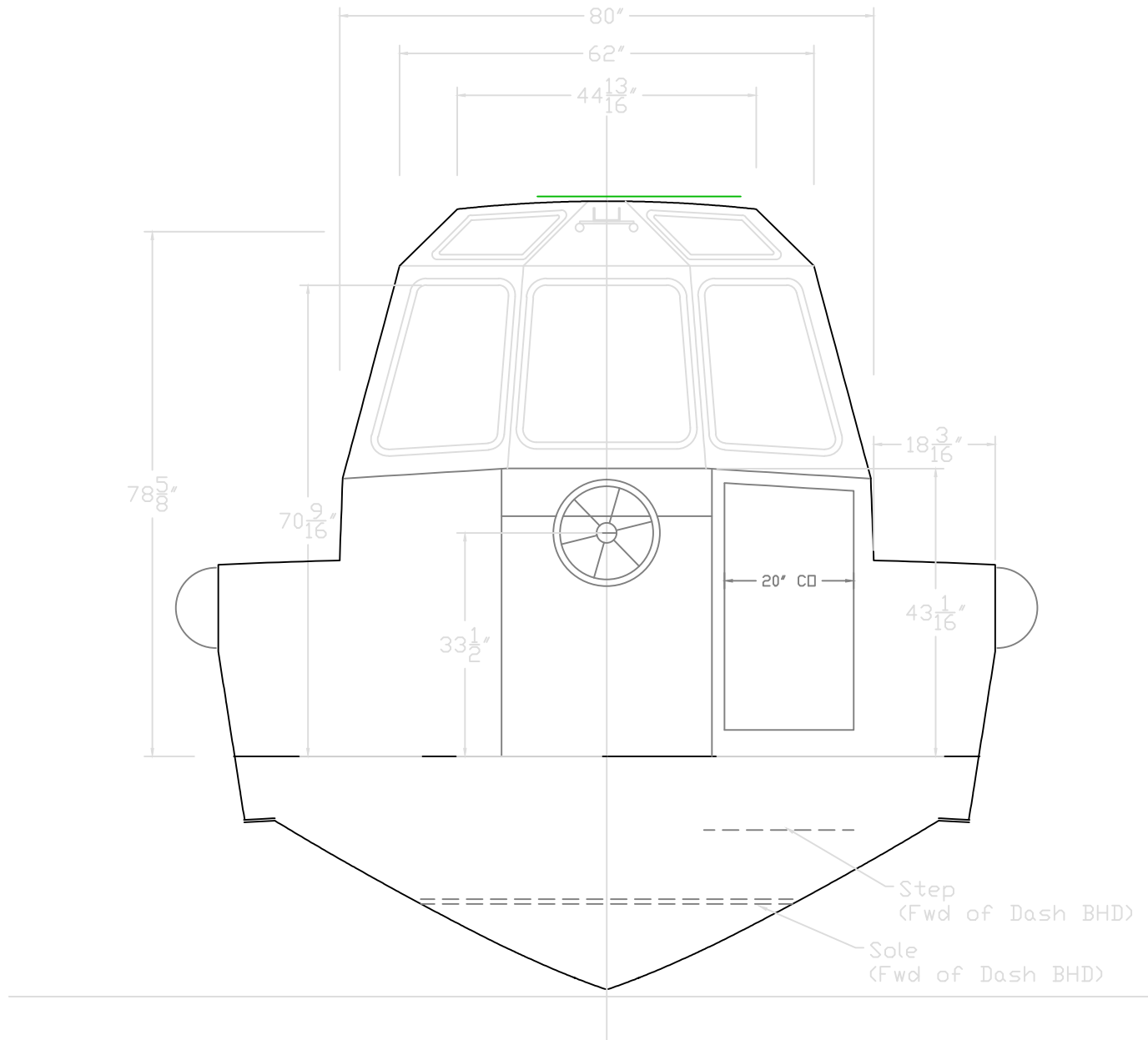
REV.	DESCRIPTION



R-310C, INBD PROFILE		
For: Tom Evans		
SCALE 3/8"=1'	DES/DWN WAL	DATE 3/23/07
<b>Response Marine, Inc.</b> Newburyport, MA, www.responsemarine.com		REV DWG NO. 278-03

REV.	DESCRIPTION

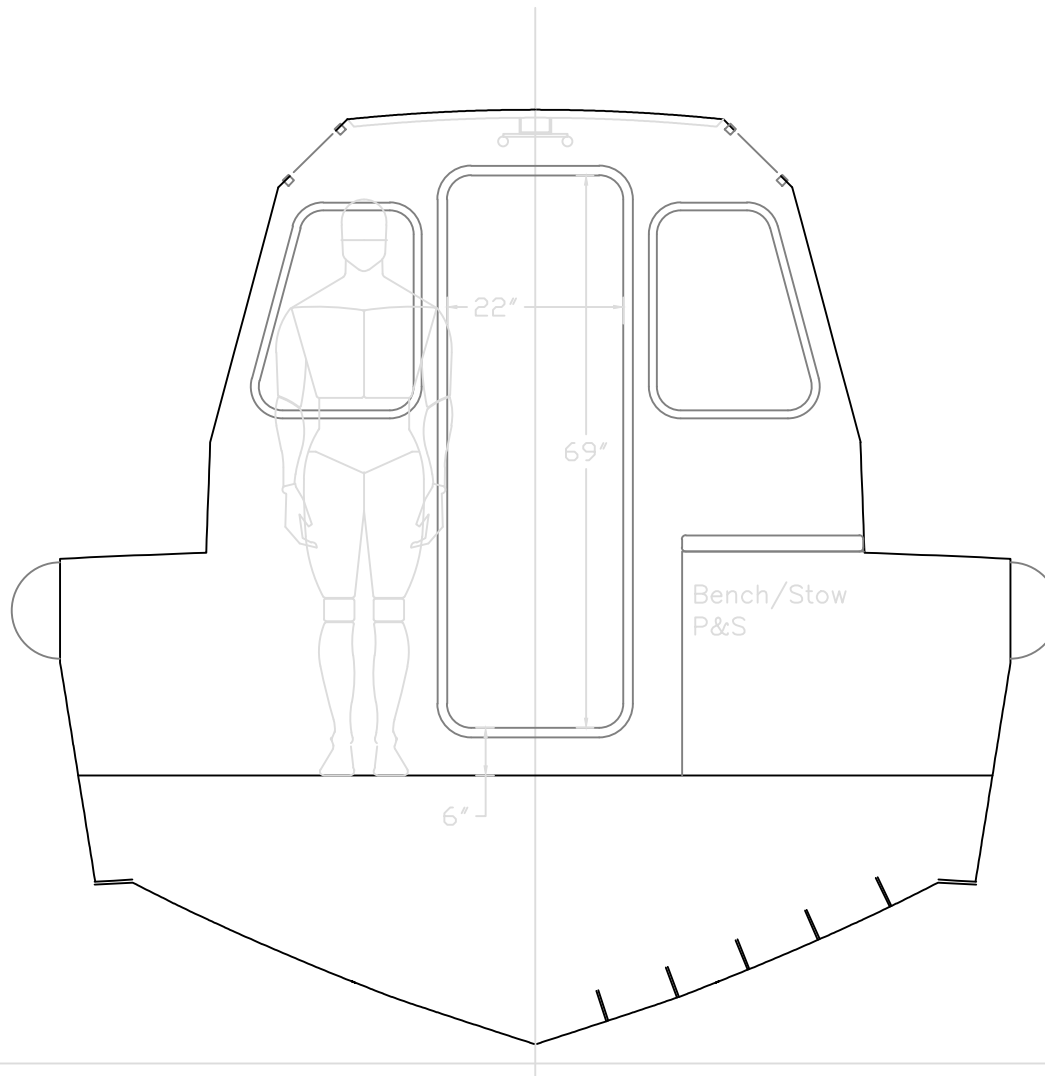




**PRELIMINARY**

REV. DESCRIPTION

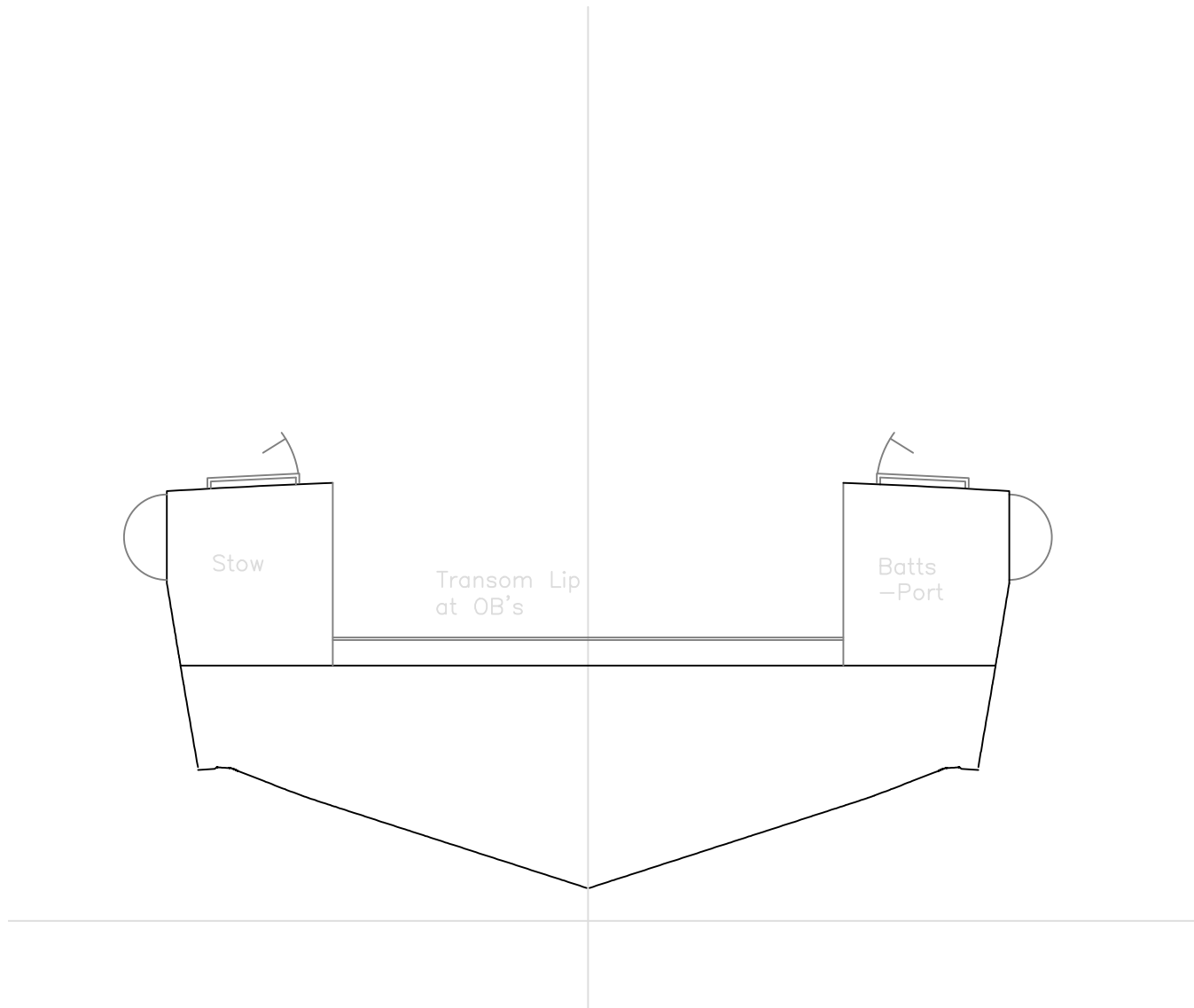
FRAME 4		
R-310C- Evans Pilot		
SCALE 1/2"=1'	DES/DWN WAL	DATE 2/7/07
Response Marine, Inc. Newburyport, MA, <a href="http://www.responsemarine.com">www.responsemarine.com</a>		SHEET DWG NO. 278-F-



**PRELIMINARY**

REV. DESCRIPTION

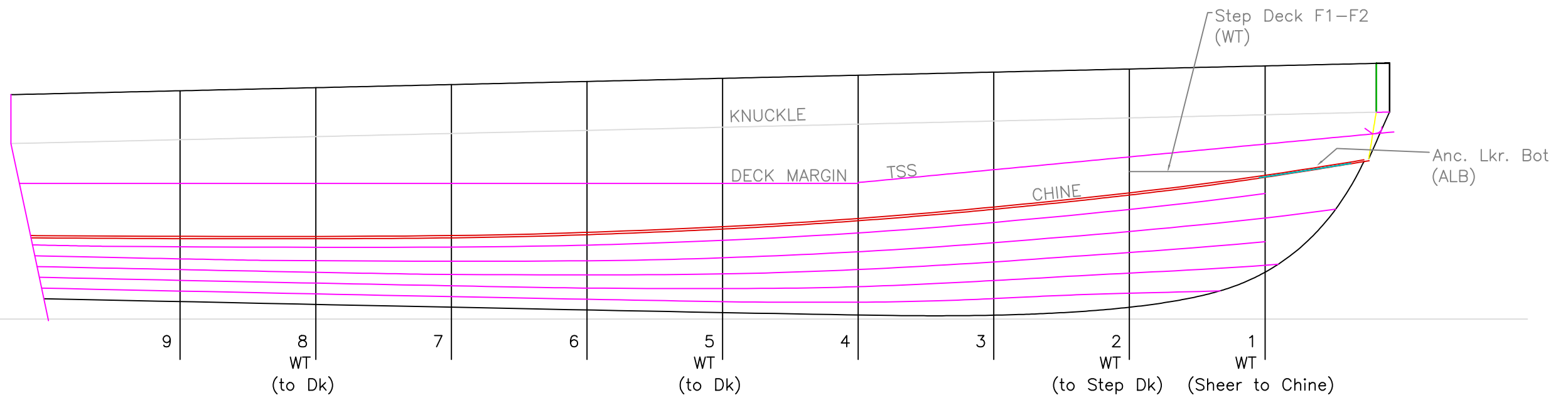
FRAME 6		
R-310C- Evans Pilot		
SCALE 1/2"=1'	DES/DWN WAL	DATE 2/7/07
<b>Response Marine, Inc.</b>		SHEET
Newburyport, MA, <a href="http://www.responsemarine.com">www.responsemarine.com</a>		DWG NO. 278-F-



**PRELIMINARY**

REV.	DESCRIPTION

FRAME 9		
R-310C- Evans Pilot		
SCALE 1/2"=1'	DES/DWN WAL	DATE 2/7/07
<b>Response Marine, Inc.</b>		SHEET
Newburyport, MA, <a href="http://www.responsemarine.com">www.responsemarine.com</a>		DWG NO. 278-F-

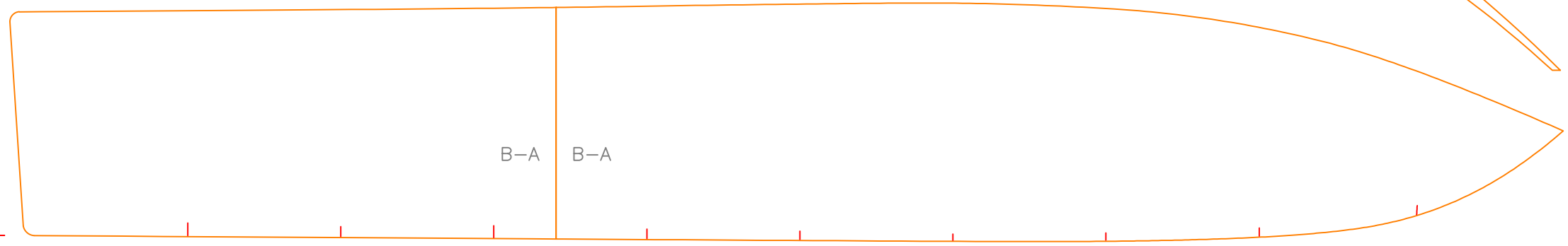
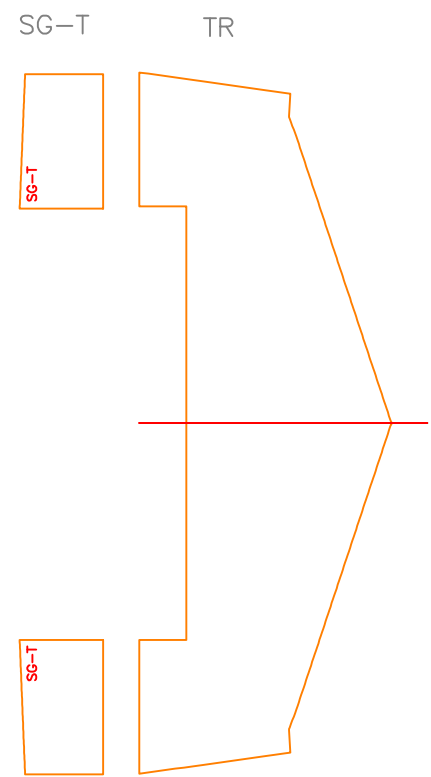
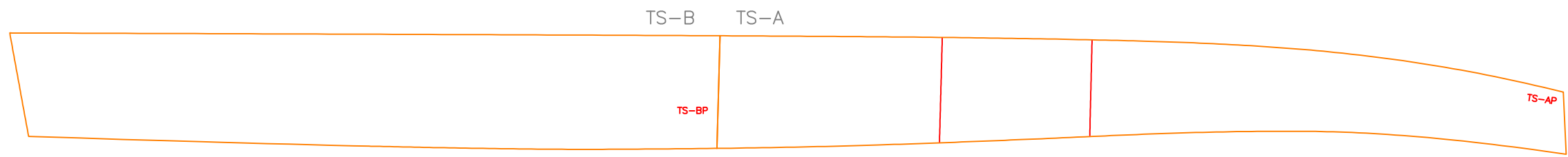
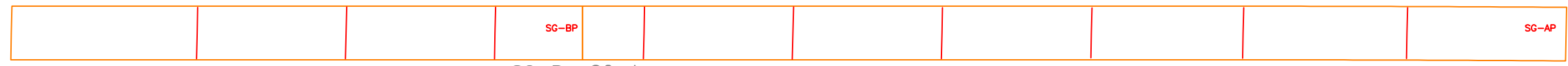


STRUCTURAL PROFILE		
R-310C- Evans Pilot		
SCALE 3/8"=1'	DES/DWN WAL	DATE 2/27/07
<b>Response Marine, Inc.</b> Newburyport, MA, www.responsemarine.com		SHEET DWG NO. 278-2-3

REV.	DESCRIPTION

All Frame Marks on Plates  
are Front Side of Frames

9 8 WT 7 6 5 WT 4 3 2 WT 1

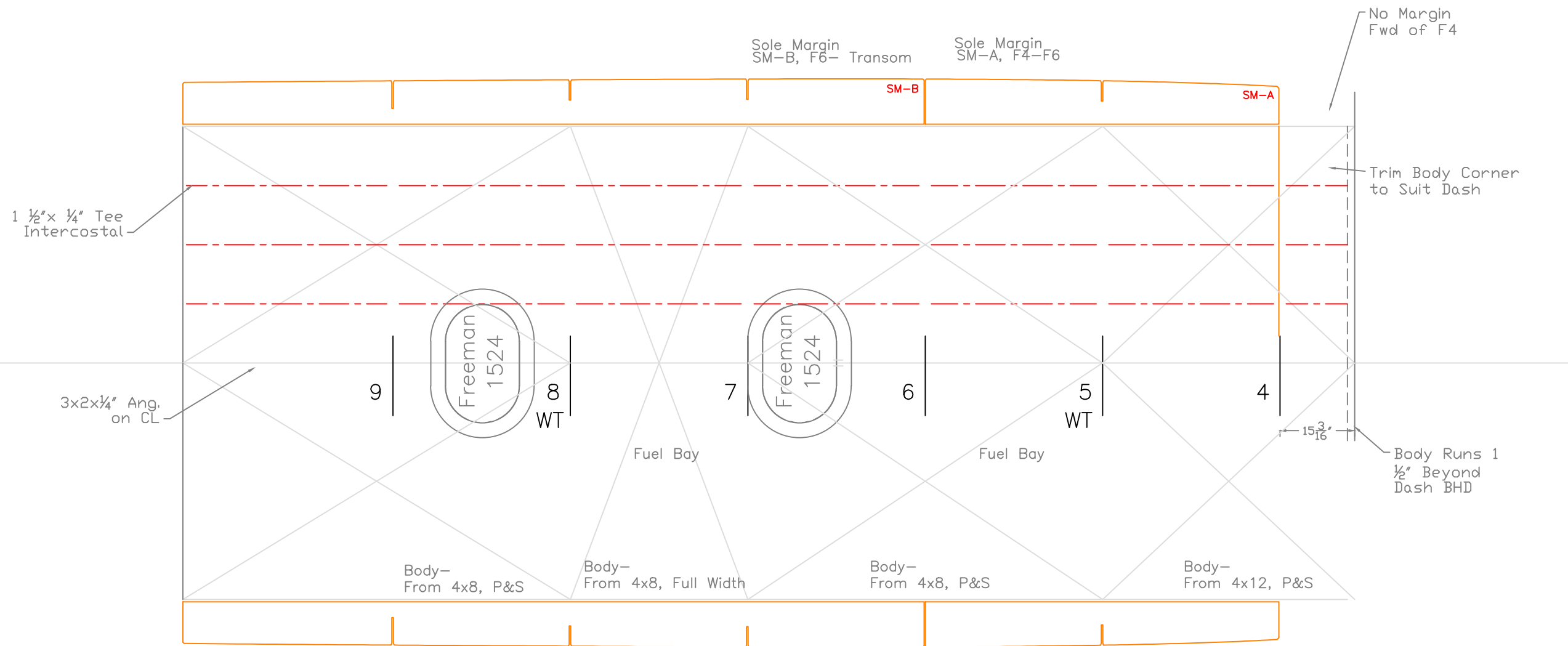


9 8 WT 7 6 5 WT 4 3 2 WT 1

HULL PLATING		
R-310C- Evans Pilot		
SCALE 3/8"=1'	DES/DWN WAL	DATE 2/27/07
REV. 3/21/07		DWG NO. 278-2-4

3/21/07, Frame Mark Notations

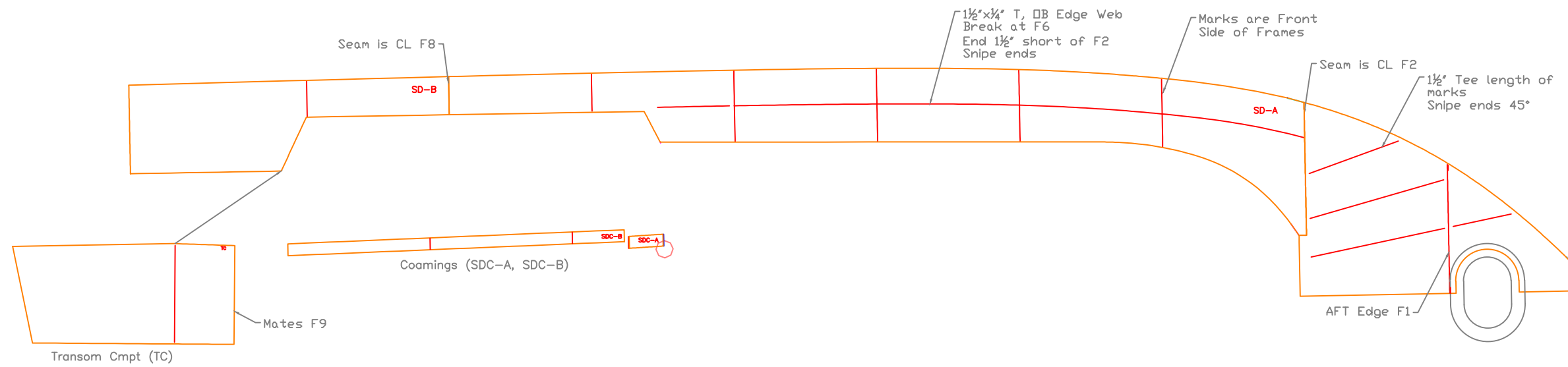
Response Marine, Inc.  
Newburyport, MA, www.responsemarine.com



Note: FWD tank must be Placed before House

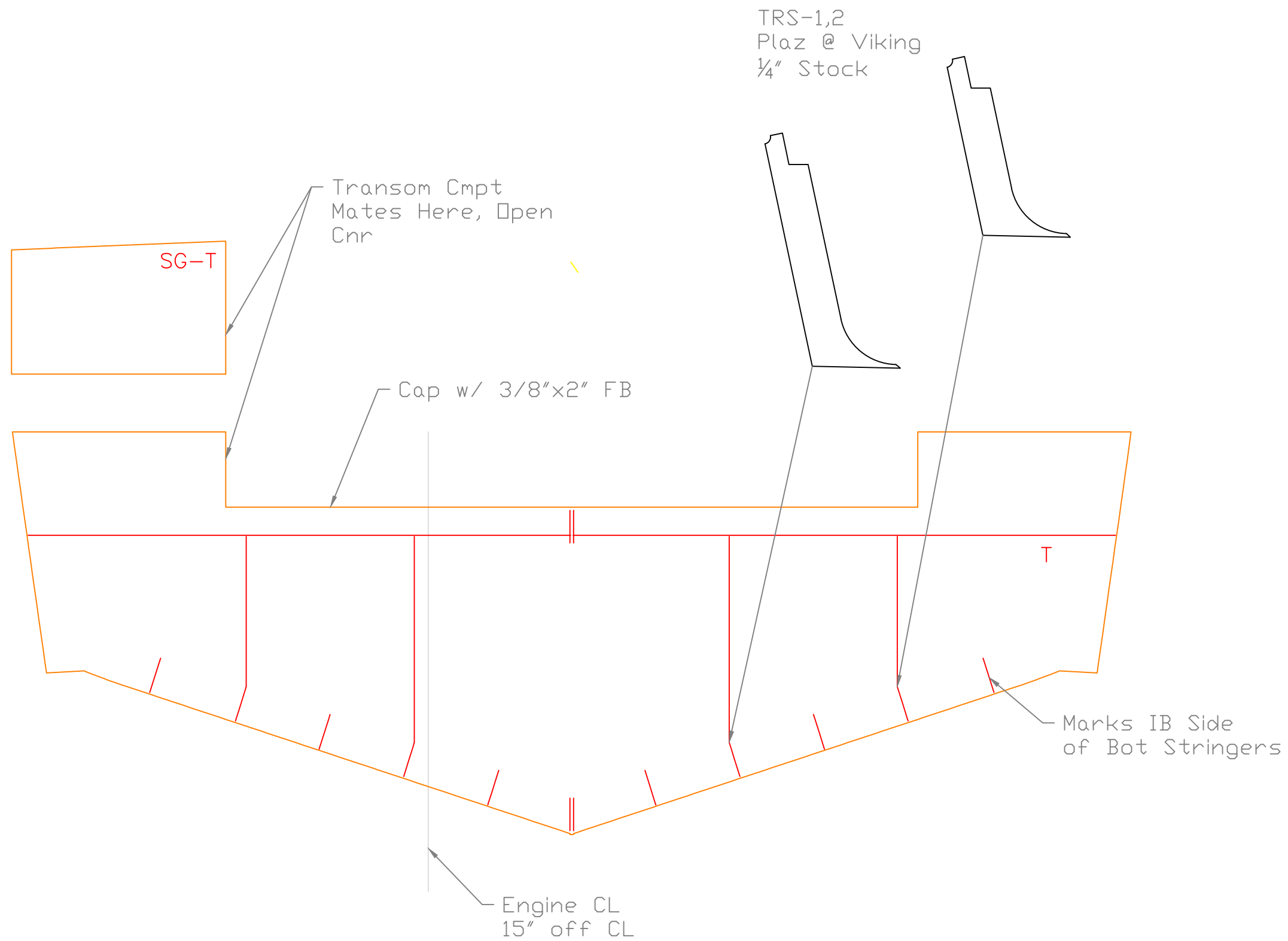
COCKPIT DECK		
R-310C- Evans Pilot		
SCALE 1/2"=1'	DES/DWN WAL	DATE 3/5/07
<b>Response Marine, Inc.</b> Newburyport, MA, www.responsemarine.com		SHEET DWG NO. 278-2-5

REV.	DESCRIPTION



SIDE & FORE DECKS		
R-310C- Evans Pilot		
SCALE 3/8"=1'	DES/DWN WAL	DATE 3/5/07
<b>Response Marine, Inc.</b> Newburyport, MA, www.responsemarine.com		SHEET DWG NO. 278-2-6

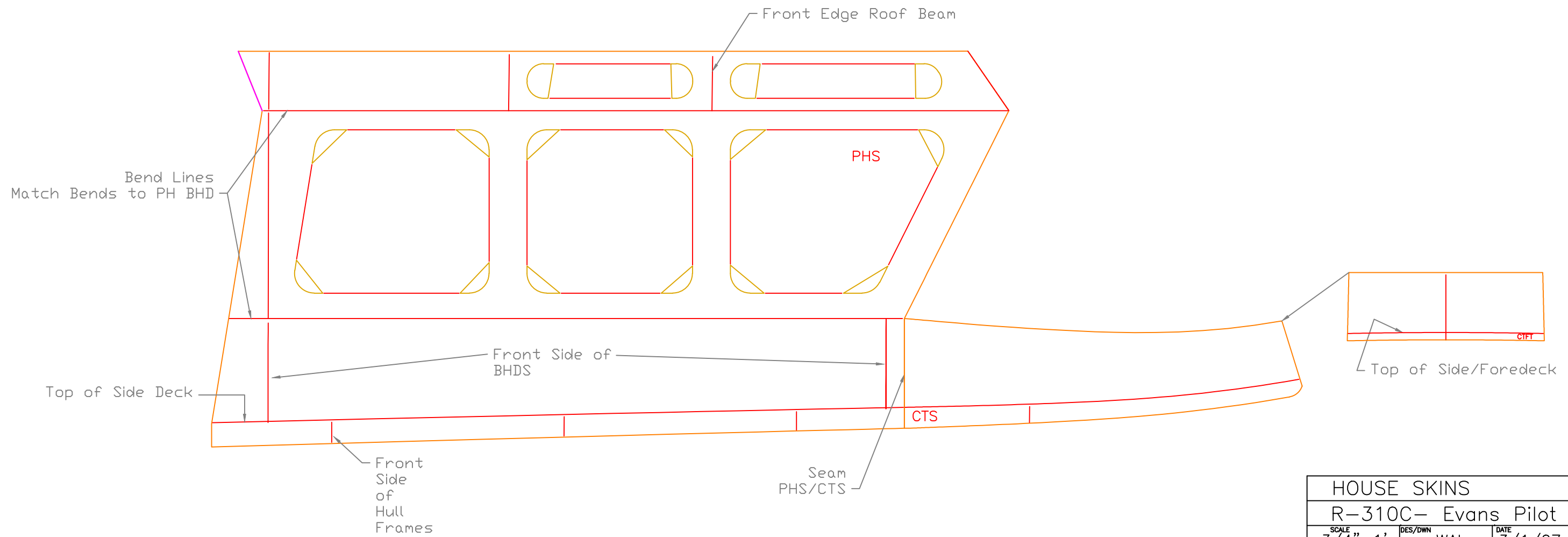
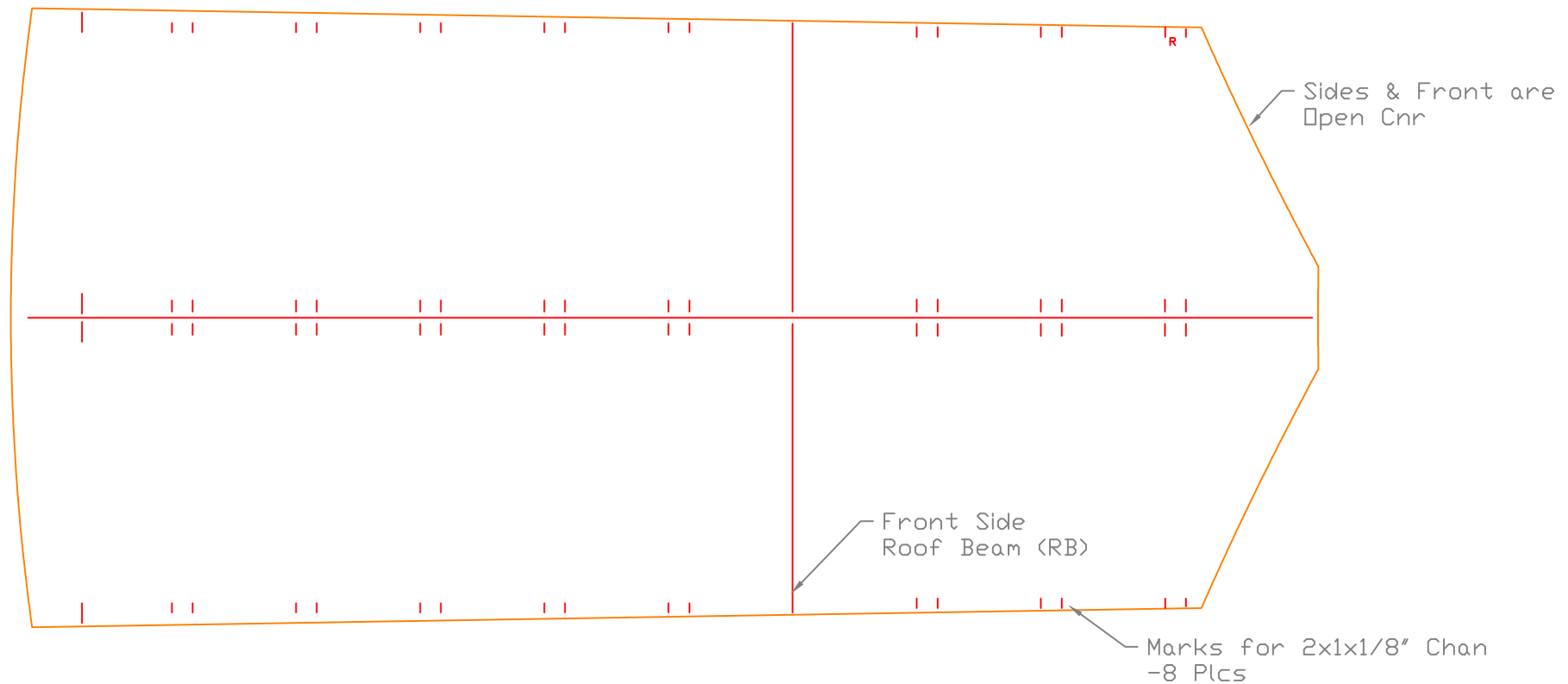
REV.	DESCRIPTION



TRANSOM		
R-310C- Evans Pilot		
SCALE 1"=1'	DES/DWN WAL	DATE 3/5/07
<b>Response Marine, Inc.</b> Newburyport, MA, www.responsemarine.com		SHEET DWG NO. 278-2-7

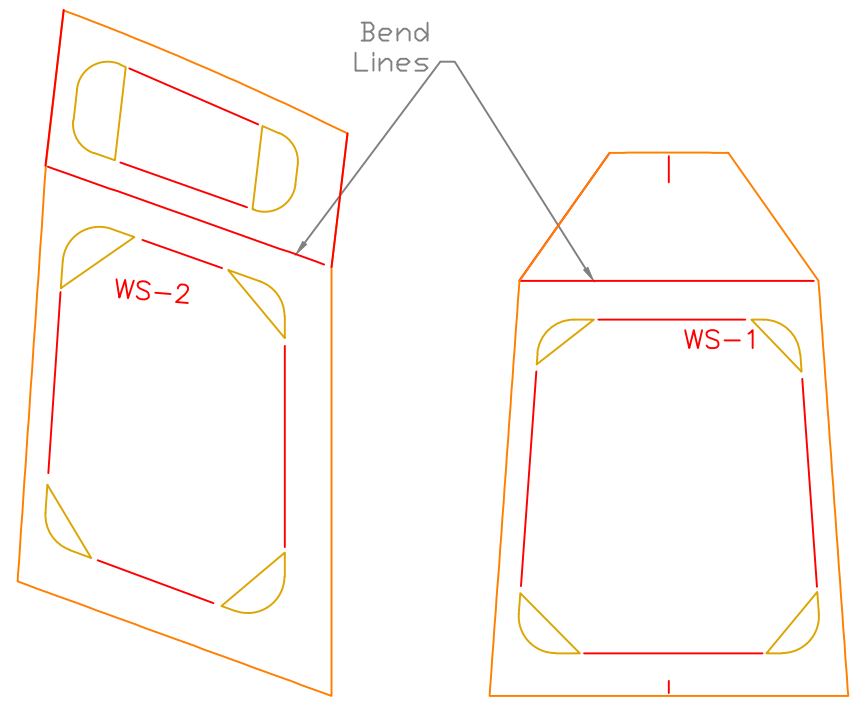
REV.	DESCRIPTION





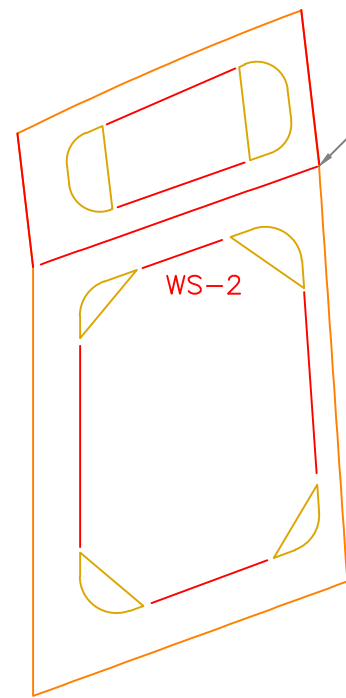
HOUSE SKINS		
R-310C- Evans Pilot		
SCALE 3/4"=1'	DES/DWN WAL	DATE 3/1/07
Response Marine, Inc.		SHEET
Newburyport, MA, www.responsemarine.com		DWG NO. 278-4-1

REV.	DESCRIPTION



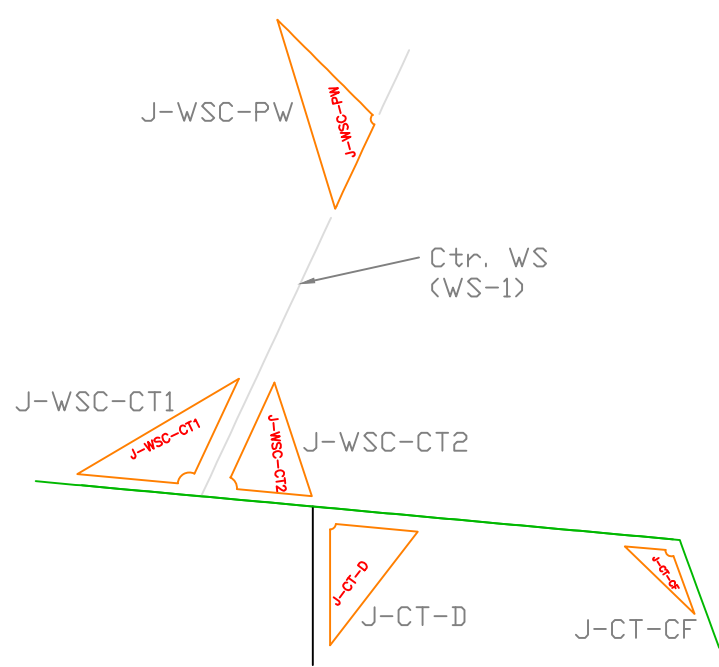
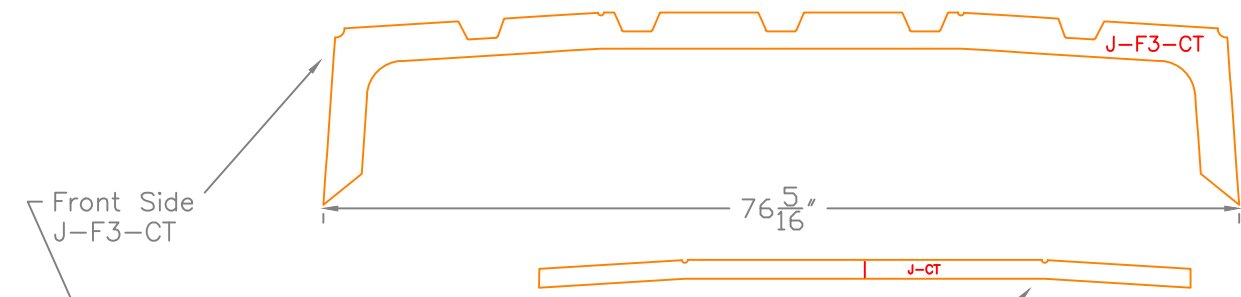
□BD

CENTER

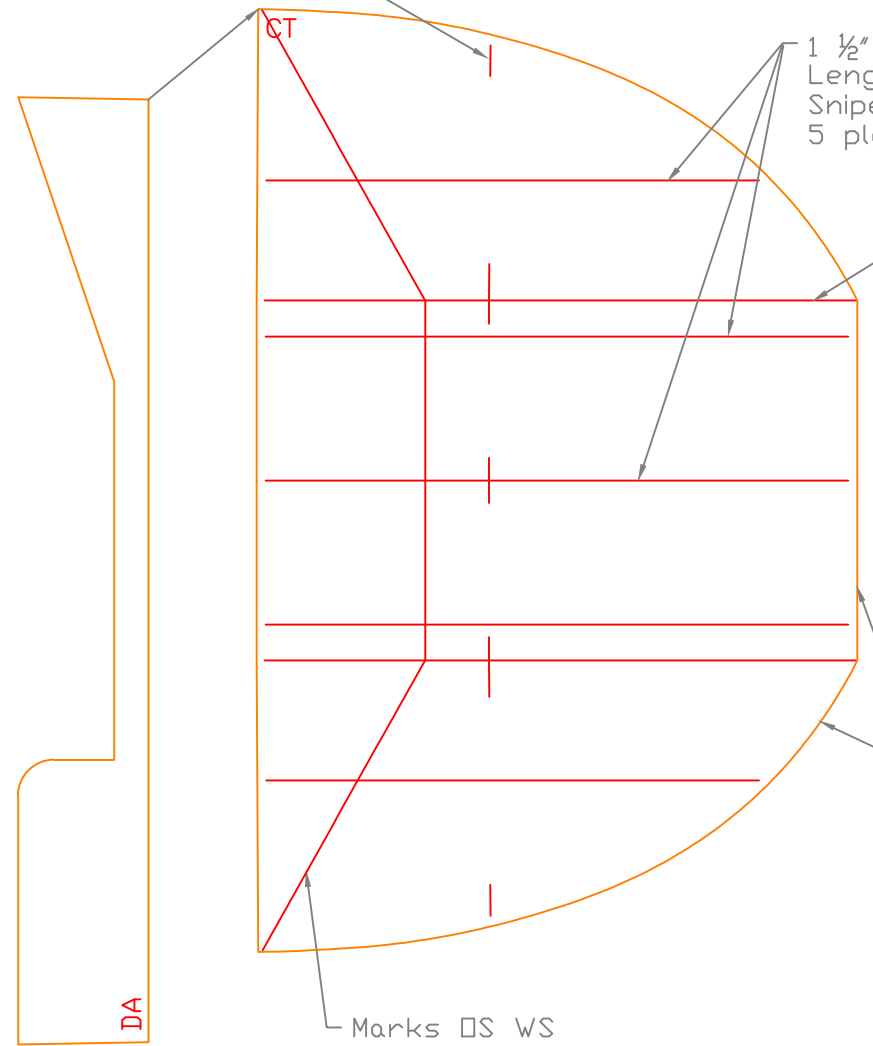


Panels Bend Aft  
 Bend WS-1 using Jig- "J-WSC-PW"  
 Bend WS-2 up/aft 74° (inside angle= 106°)  
 WS-2 edges to match edge of WS-1 & PHS

□BD



JIGS  
 PROFILE VIEW



1 1/2" Tee  
 Length of Mark,  
 Snipe Ends 45°  
 5 plcs

Bend, P&S  
 Match J-CT

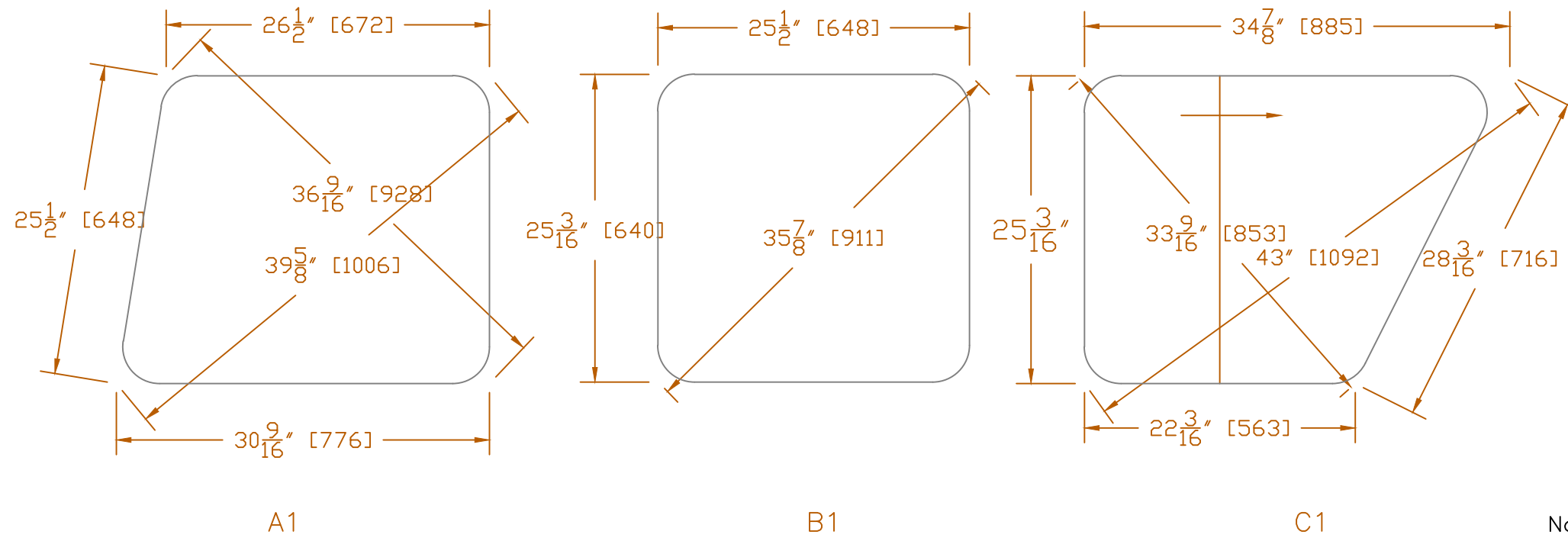
Open  
 Cnr  
 CTS/CTF

Marks □S WS

DA

HOUSE WS & CUDDY TOP		
R-310C- Evans Pilot		
SCALE 3/4"=1'	DES/DWN WAL	DATE 3/1/07
Response Marine, Inc.		SHEET
Newburyport, MA, www.responsemarine.com		DWG NO. 278-4-2

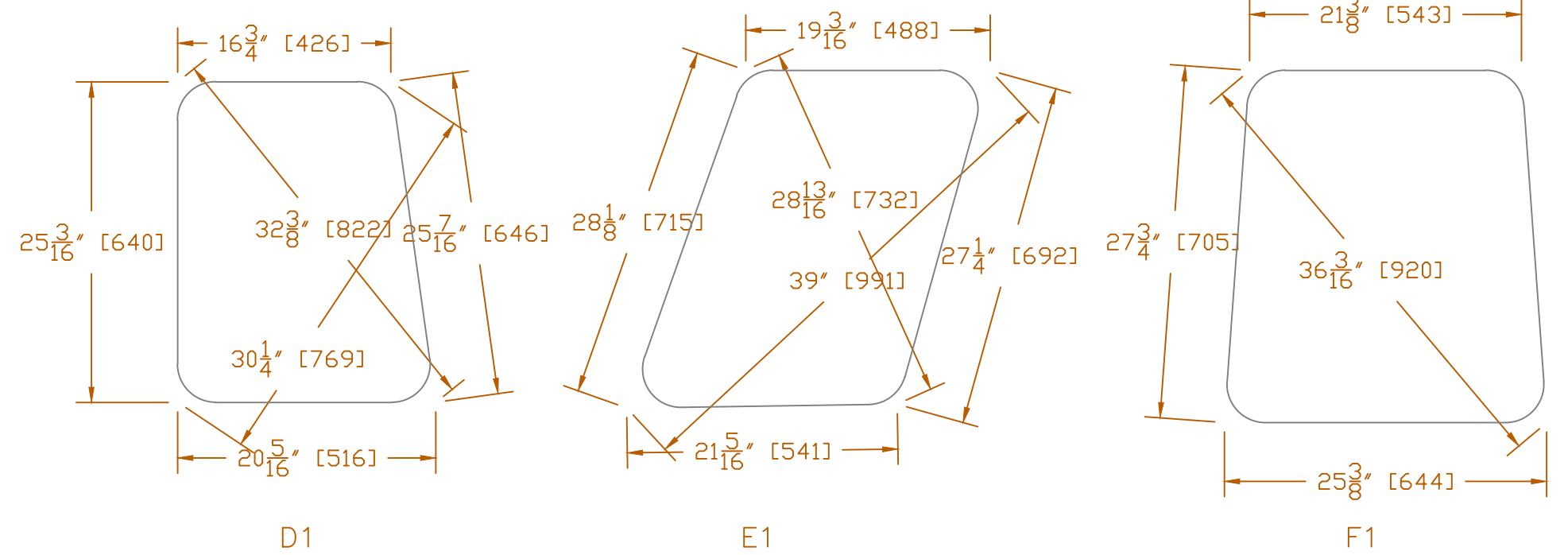
REV.	DESCRIPTION



- Notes-
- 1.) Views are from OUTSIDE
  - 2.) Dimensions are inches (mm)
  - 3.) Dimensions are  $\frac{1}{8}''$  overall inside cutouts.
  - 4.) Corner Cutout radius is 3"
  - 5.) Clamp Ring is for  $\frac{3}{16}''$  material thickness
  - 6.) Glass is  $\frac{1}{4}''$  Safety Glass, Clear

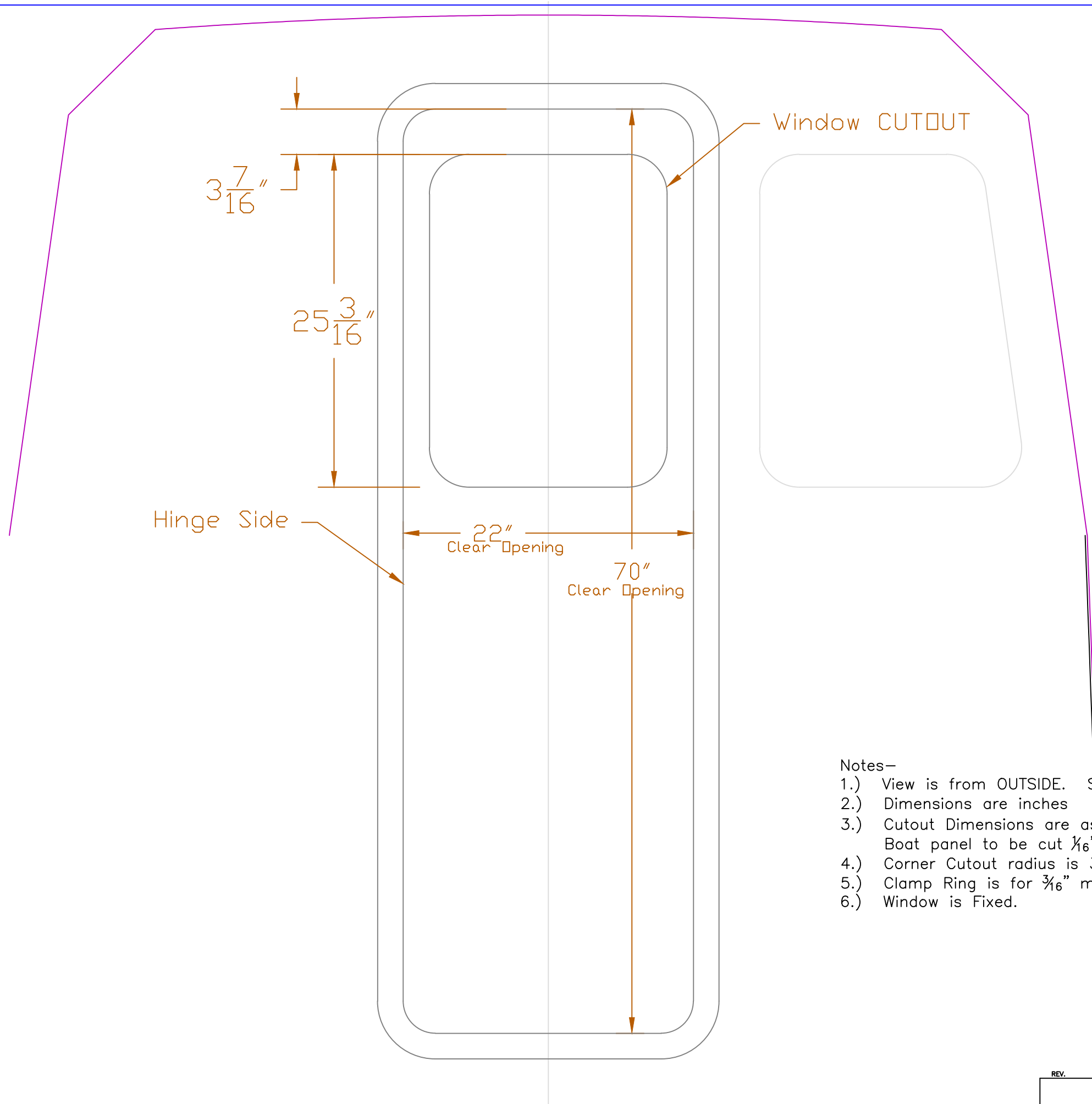
Windows-

- A1- Stbd Aft, FIXED
- A2- Mirror of A1
- B1- Stbd Mid, FIXED
- B2- Mirror of B1
- C1- Stbd Fwd, Horizontal Slider, Aft/Inboard panel slides Fwd
- C2- Mirror of C1
- D1 - Aft, Stbd, FIXED
- D2- Mirror of D1
- E1- Windshield, Stbd OB, FIXED
- E2- Mirror of D1
- F1- Windshield, Ctr, FIXED



WINDOW SET-11 WINDOWS		
For: R-310C-- Evans		
SCALE 1"=1'	DES/DWN WAL	DATE 2/12/07
<b>Response Marine, Inc.</b> Newburyport, MA, www.responsemarine.com		SHEET DWG NO. 278-7-

REV.	DESCRIPTION

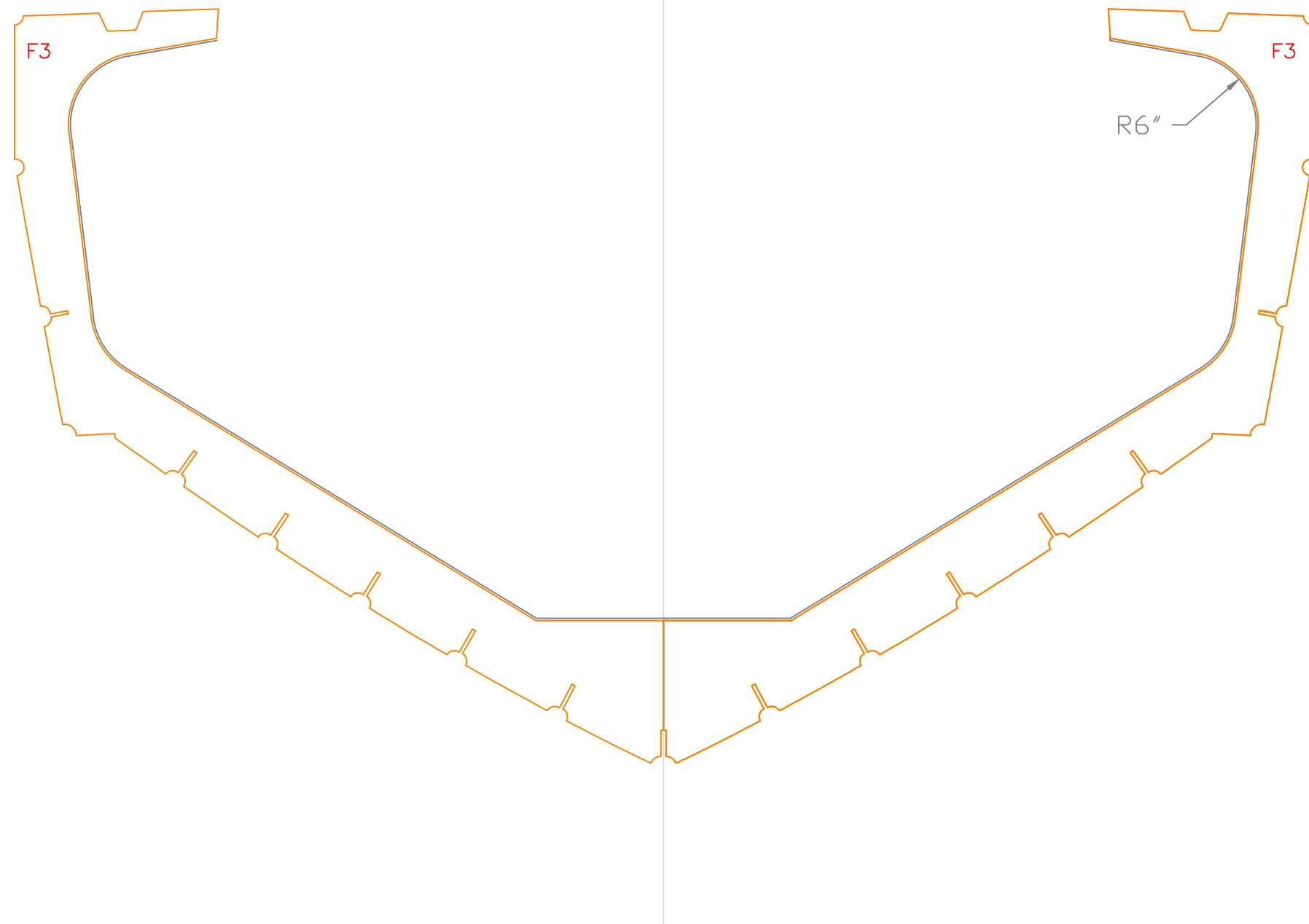


Notes-

- 1.) View is from OUTSIDE. Swing is Toward (Out)
- 2.) Dimensions are inches
- 3.) Cutout Dimensions are assumed to be  $1\frac{1}{16}$ " beyond Clear Opening.  
Boat panel to be cut  $\frac{1}{16}$ " beyond Cutout
- 4.) Corner Cutout radius is  $3\frac{1}{2}$ "
- 5.) Clamp Ring is for  $\frac{3}{16}$ " material thickness
- 6.) Window is Fixed.

PILOTHOUSE DOOR		
For: R-310C-- Evans		
SCALE 1 1/2" = 1"	DES/DWN WAL	DATE 2/12/07
<b>Response Marine, Inc.</b> Newburyport, MA, www.responsemarine.com		SHEET DWG NO. 278-7-

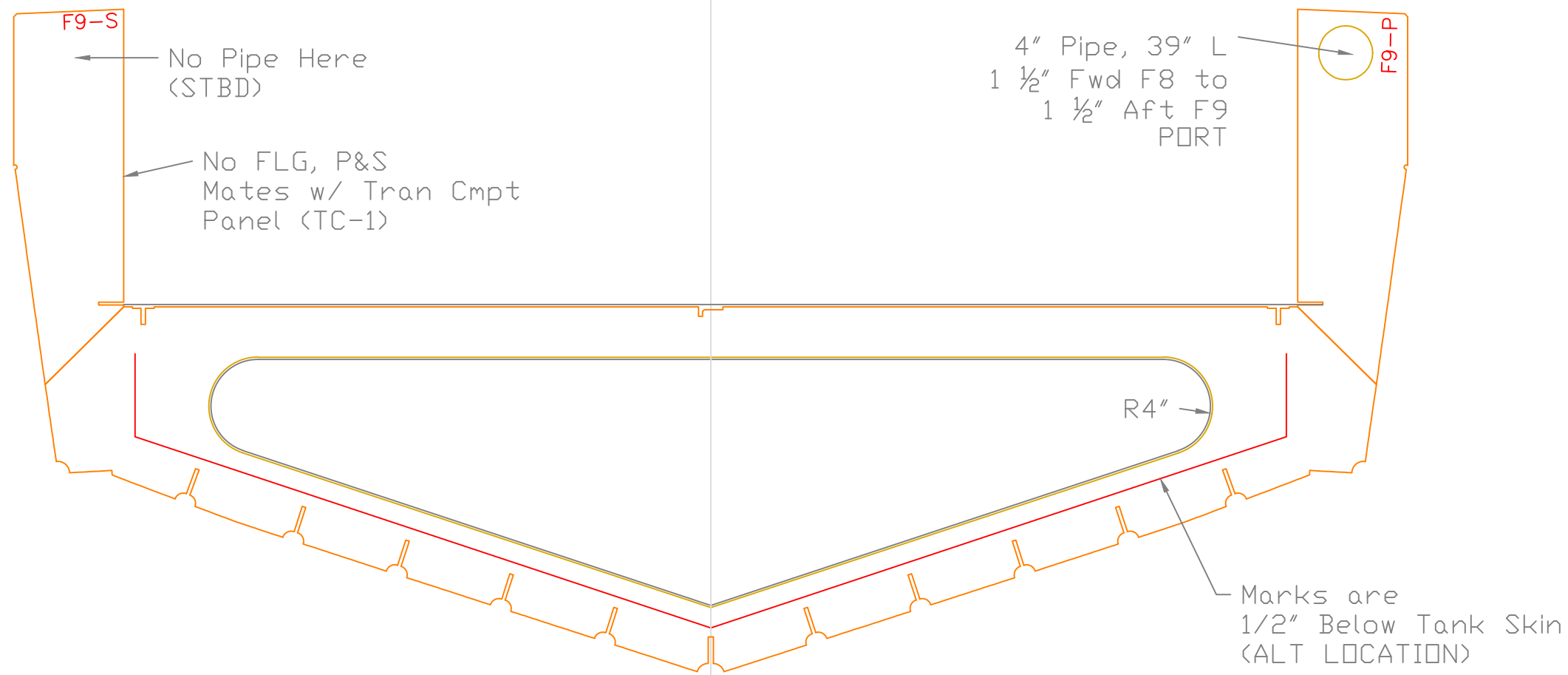
REV.	DESCRIPTION



FRAME 3		
R-310C- Evans Pilot		
SCALE 1"=1'	DES/DWN WAL	DATE 2/27/07
<b>Response Marine, Inc.</b> Newburyport, MA, www.responsemarine.com		SHEET DWG. NO. 278-F-3

REV.	DESCRIPTION

LOOKING AFT  
(MARKS ON FWD SIDE)



FRAME 9		
R-310C- Evans Pilot		
SCALE 1"=1'	DES/DWN WAL	DATE 2/27/07
<b>Response Marine, Inc.</b> Newburyport, MA, www.responsemarine.com		SHEET DWG NO. 278-F-9

REV.	DESCRIPTION