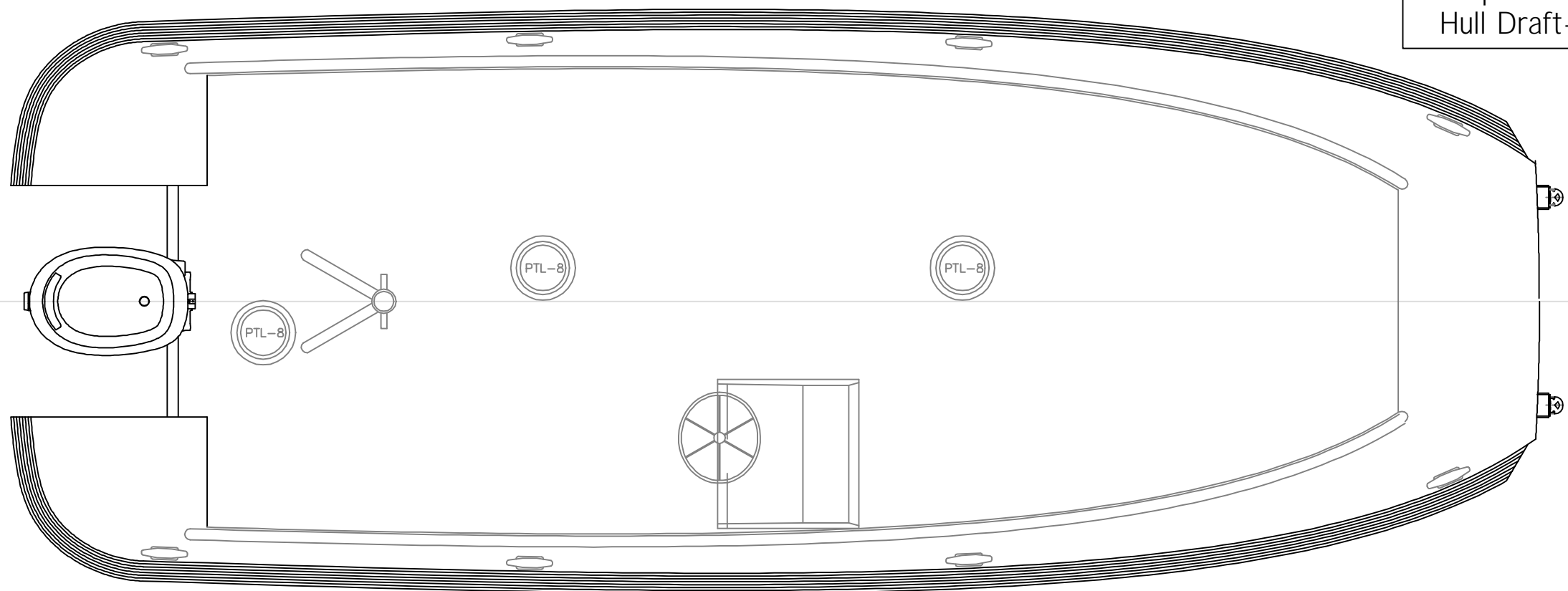


DWL- 3,400#

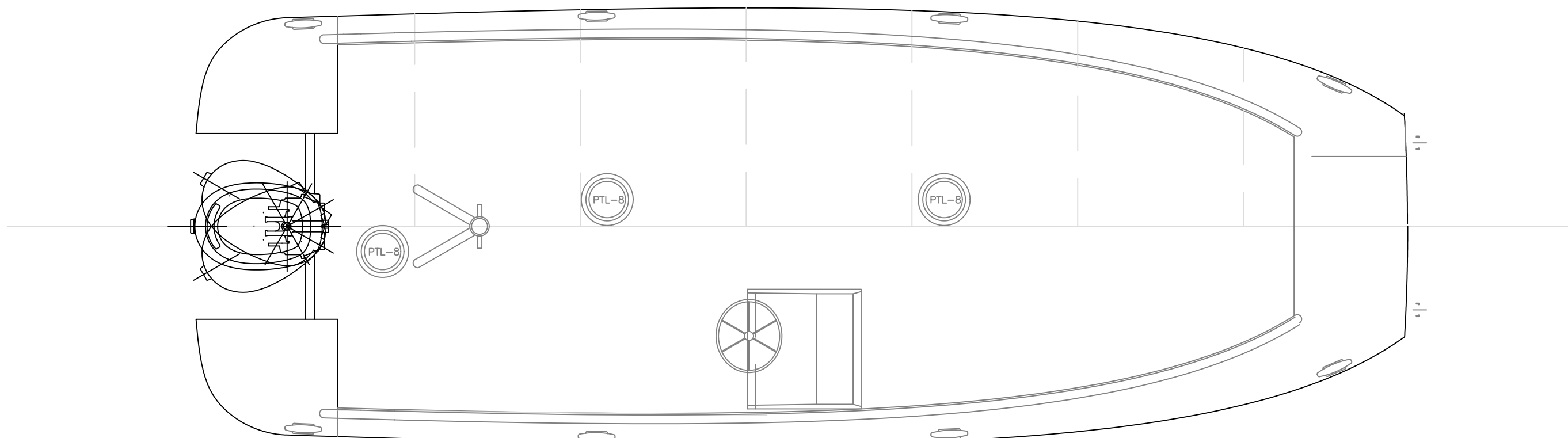
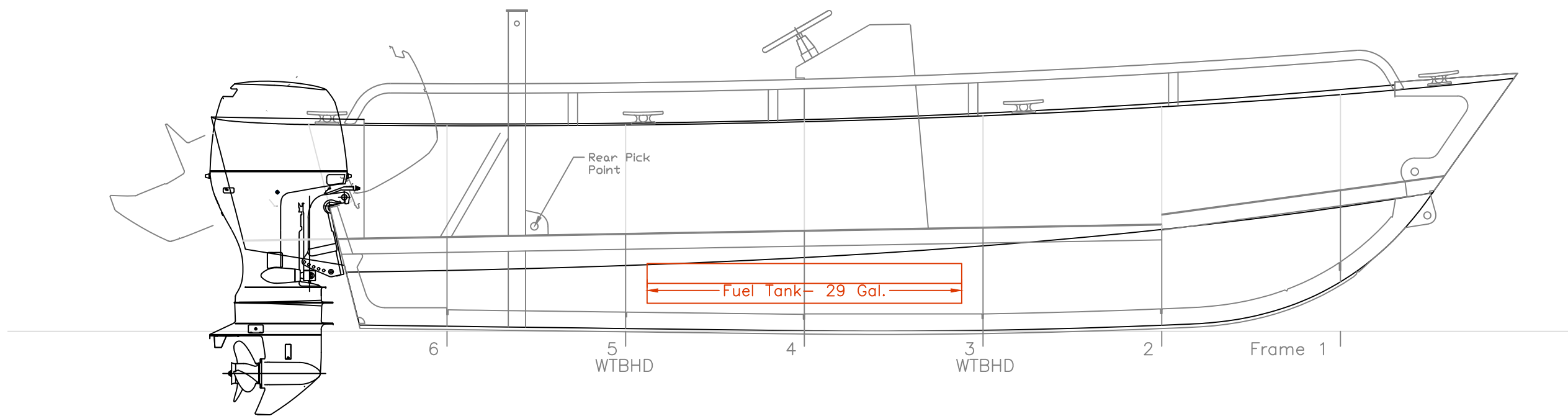
6 | 5 | 4 | 3 | 2 | Frame 1 |  
 WTBHD WTBHD

**Particulars**  
 Hull LOA - 22' - 0"  
 Hull Beam- 8' - 0"  
 LWL - 17' - 3"  
 Displacement- 3,400# - 2 pax, 1/2 fuel  
 Hull Draft- 1'2"



22' Skiff- CIANBRO CORP.		
OUTBOARD VIEWS		
SCALE 1/2" = 1'	DES/DWN WAL	DATE 1/27/04
Response Marine, Inc. Newburyport, MA www.responsemarine.com		SHEET DWG NO. 0216-01

REV.	DESCRIPTION



22' Skiff- CIAMBRO CORP.		
INBOARD VIEWS		
SCALE 1/2" = 1'	DES/DWN WAL	DATE 1/27/04
<b>Response Marine, Inc.</b> Newburyport, MA www.responsemarine.com		SHEET DWG NO. 0216-02

REV.	DESCRIPTION