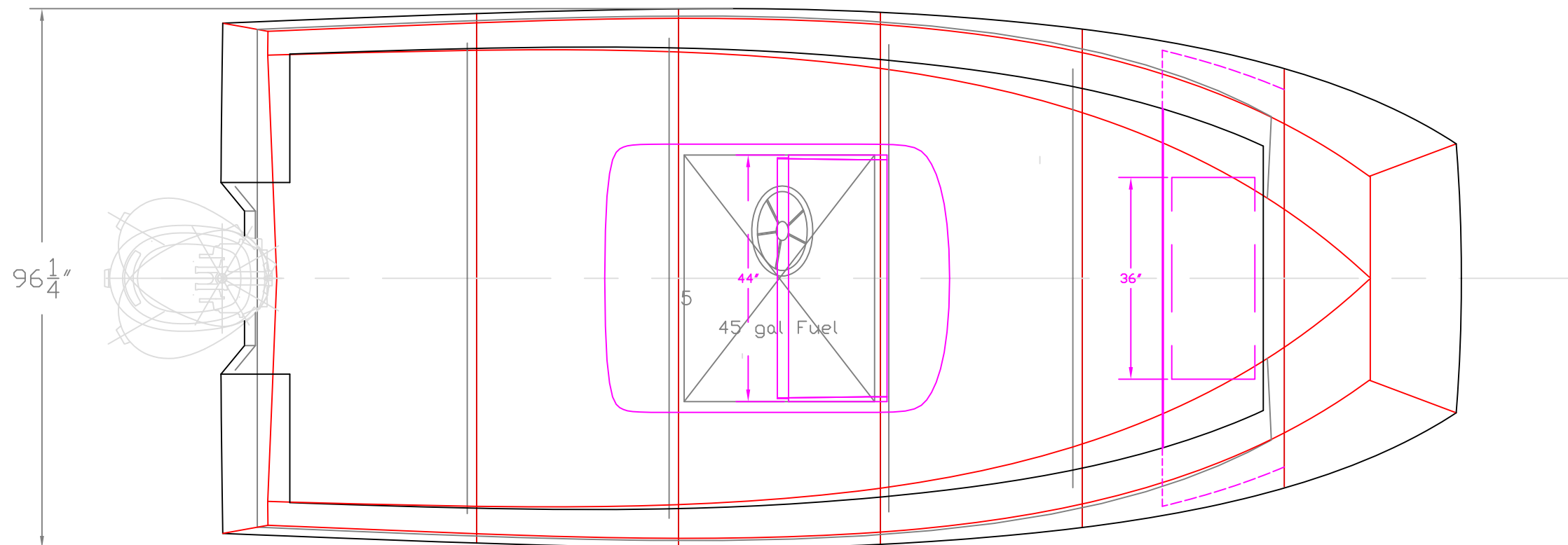
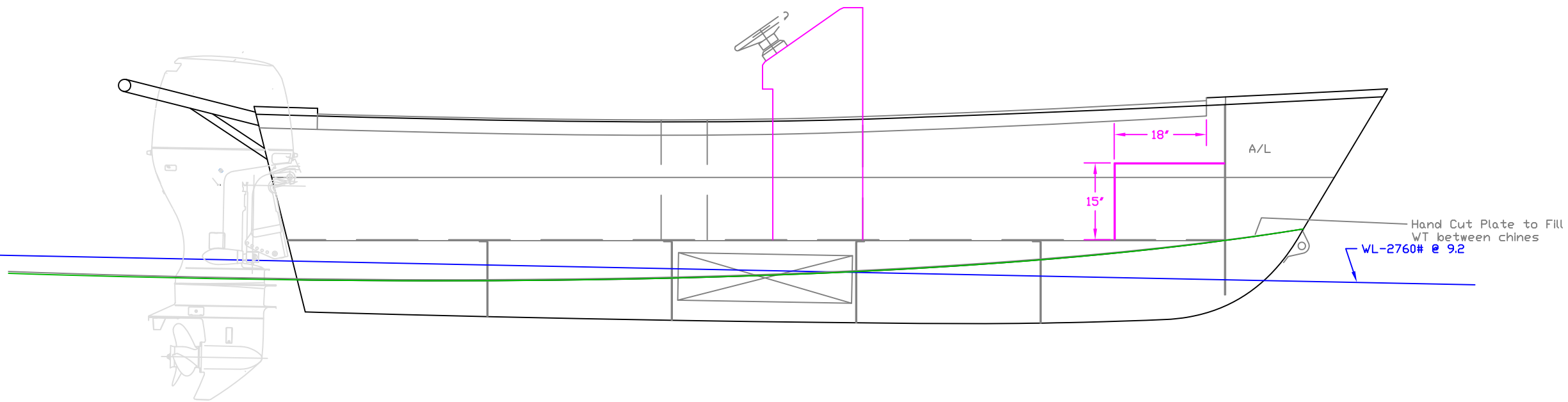


OUTBOARD VIEWS

18' Skiff		
For: Sound Marine		
SCALE 1/2" = 1'	DES/DWN WAL	DATE 3/15/11
Response Marine, Inc. <small>Newington, MA www.responsemarine.com</small>		SHEET DWG. NO. 260-P2a

60 1/2'

Frame Spacing; 36" ctc



Nov13, 2014 Version
Profile & Plan

18' Skiff- Bullshark		
For: Sound Marine		
SCALE 1/2" = 1'	DES/DWN WAL	DATE 11/13/14
Response Marine, Inc.		SHEET
Newburyport, MA www.responsemarine.com		DWG NO. 260-P2b