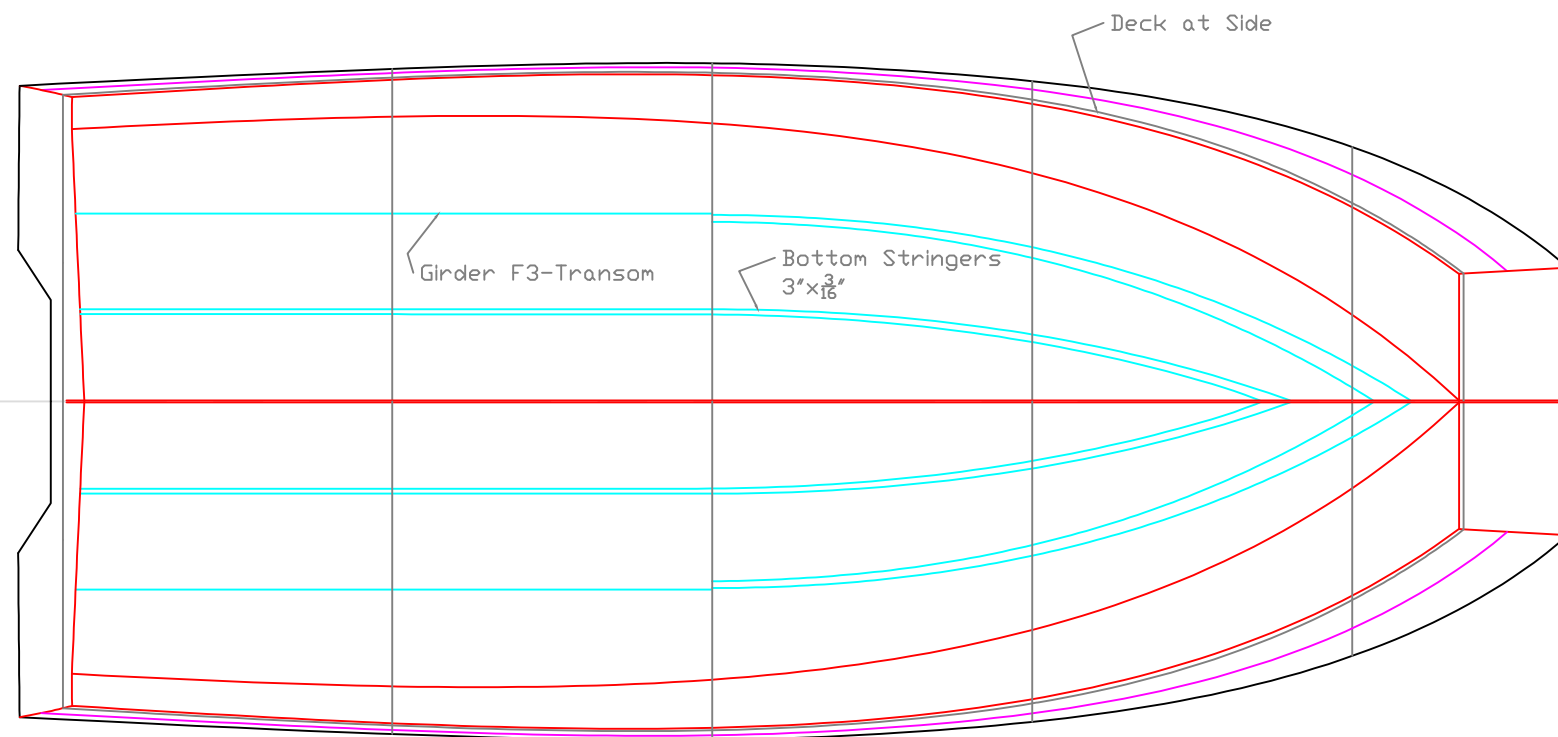
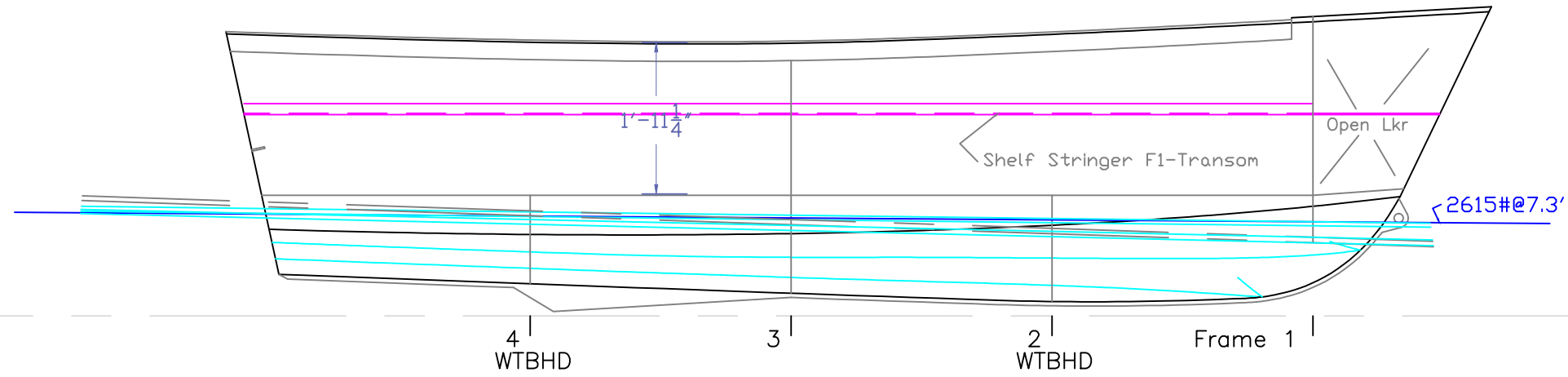


MAIN VIEWS

16' Skiff		
For: Forged Custom Metal Fab		
SCALE 1/2" = 1'	DES/DWN WAL/JCC	DATE 6/10/15
Response Marine, Inc.		SHEET
Newburyport, MA, www.responsemarine.com		DWG. NO. 508-1



INBOARD VIEWS

16' Skiff		
For: Forged Custom Metal Fab		
SCALE 1/2" = 1'	DES/DWN WAL/JCC	DATE 6/10/15
Response Marine, Inc.		SHEET
Newburyport, MA, www.responsemarine.com		DWG. NO. 508-2