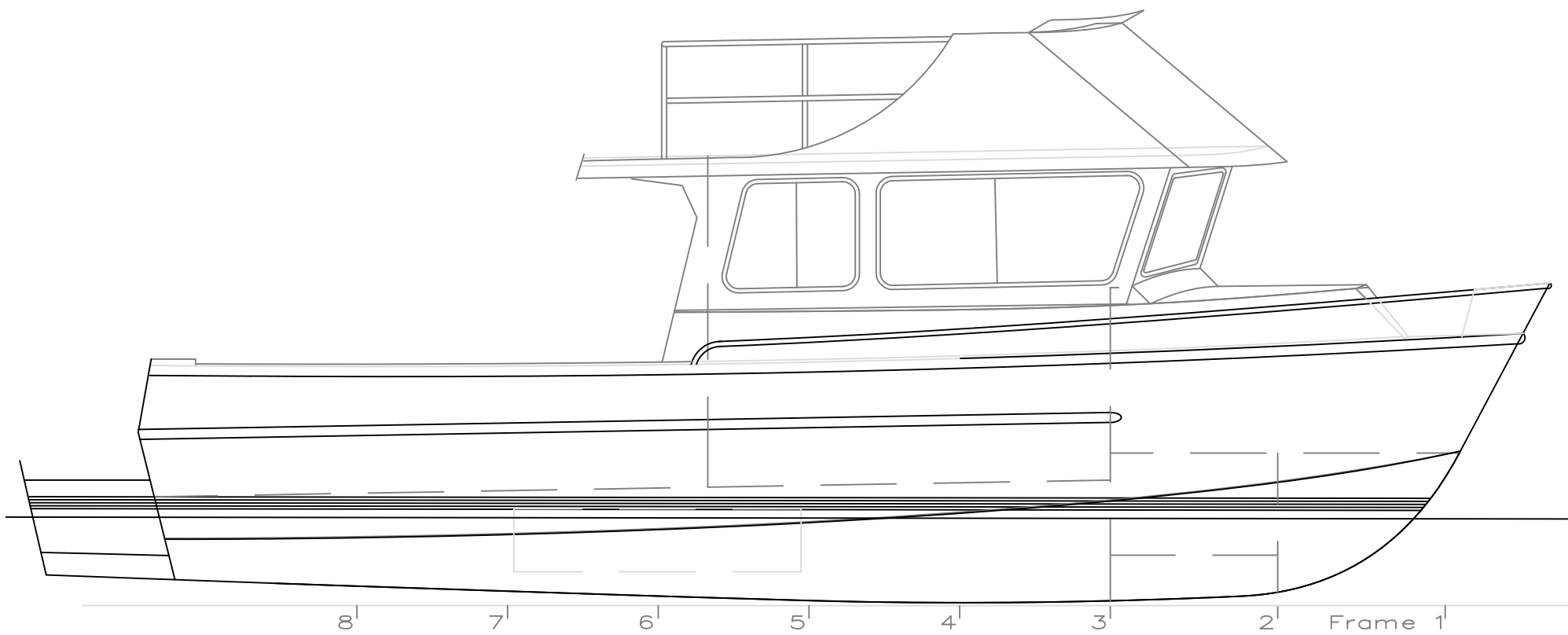
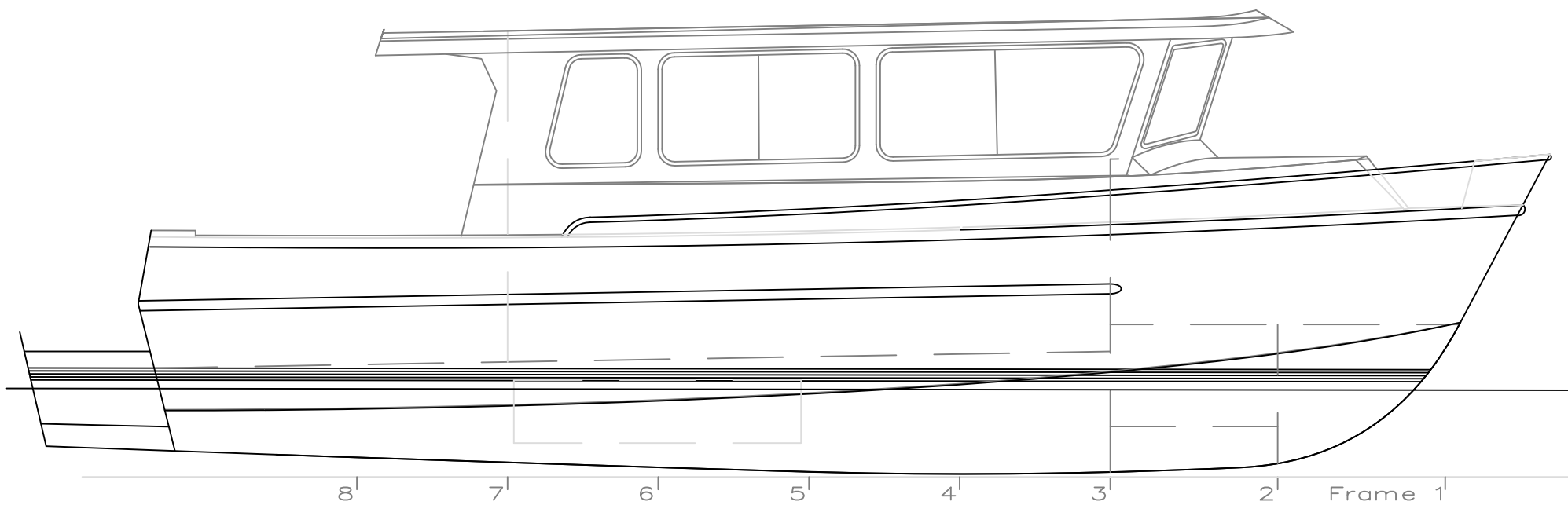
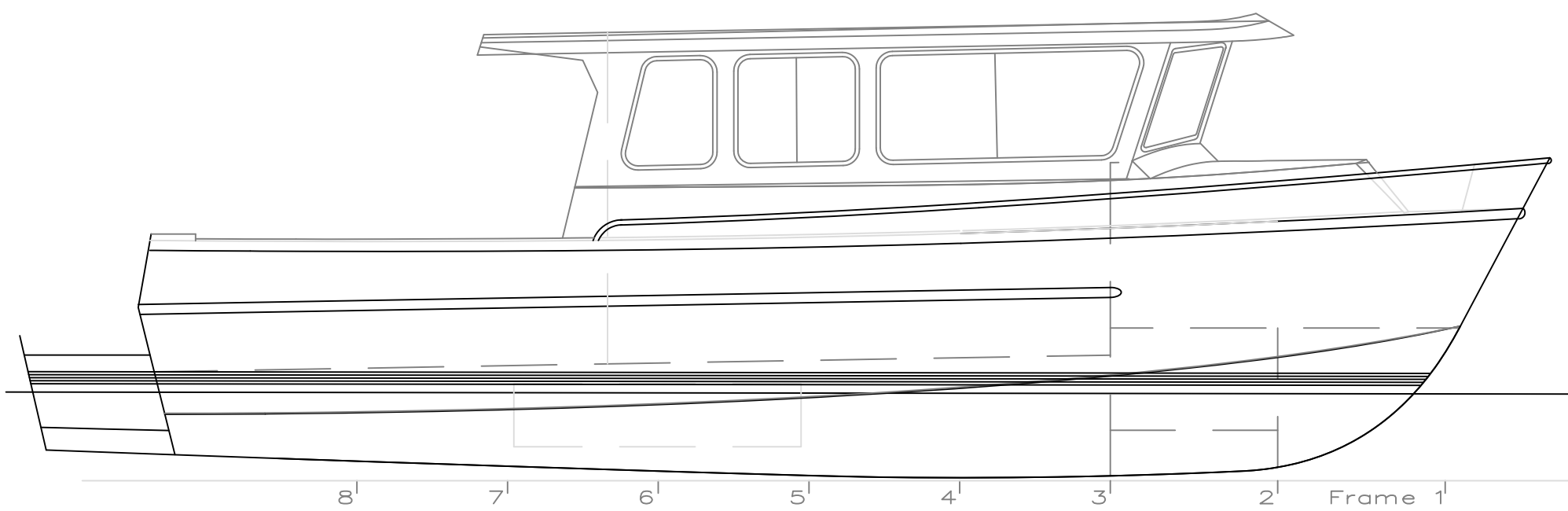
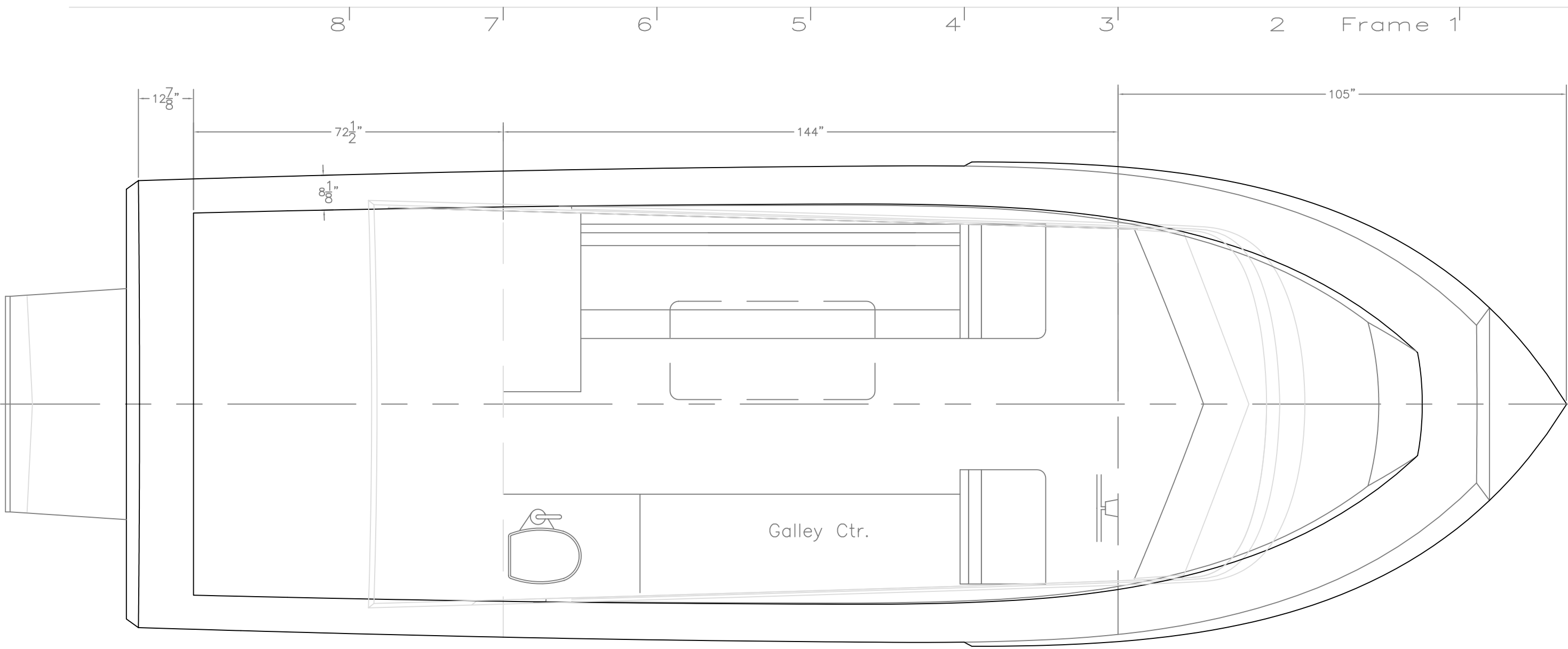


Norvelle Boats: 2895 Explorer - 28' x 9'7" Hull- 8', 10' & 12' Cabins



28.1'

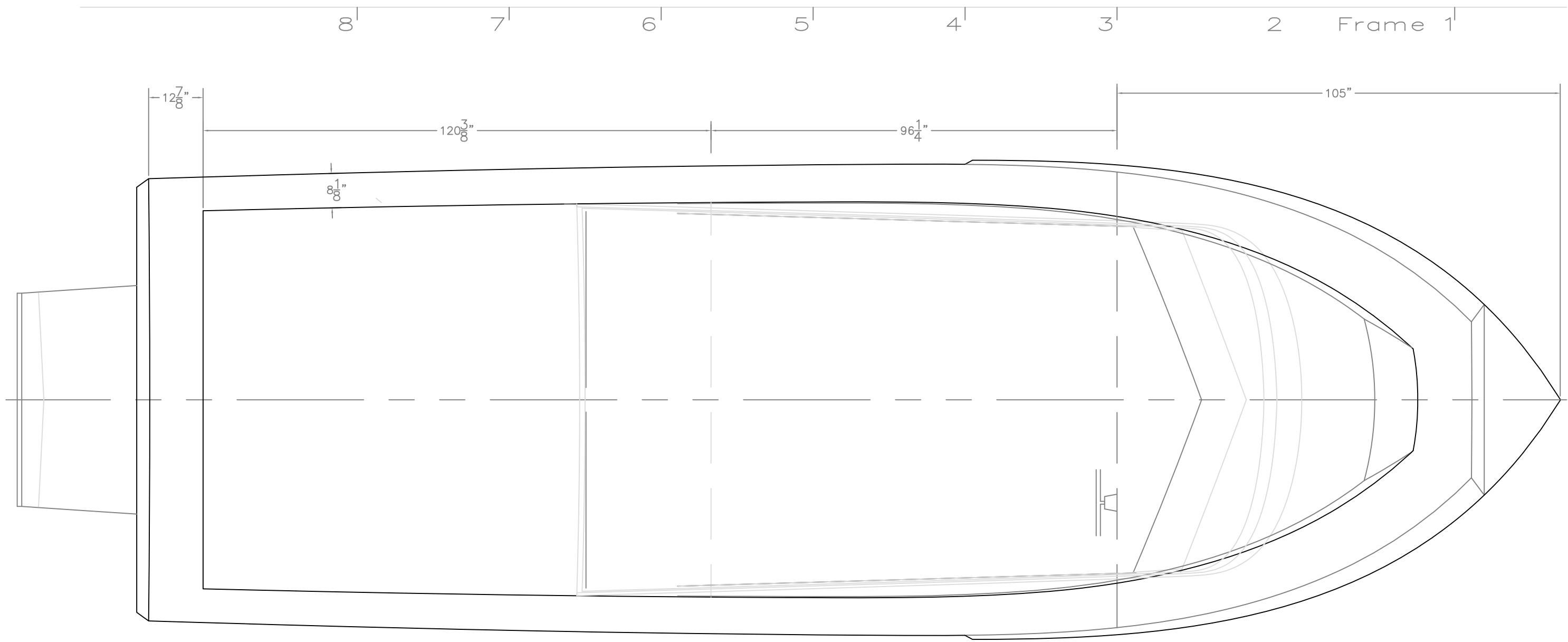




Galley Ctr.

PROFILE		
NORVELLE 2895, 12' House		
SCALE 1/2" = 1'	DES/DWN WAL	DATE 12/24/07
Response Marine, Inc. Newburyport, MA, www.responsemarine.com		SHEET DWC NO. 303-02

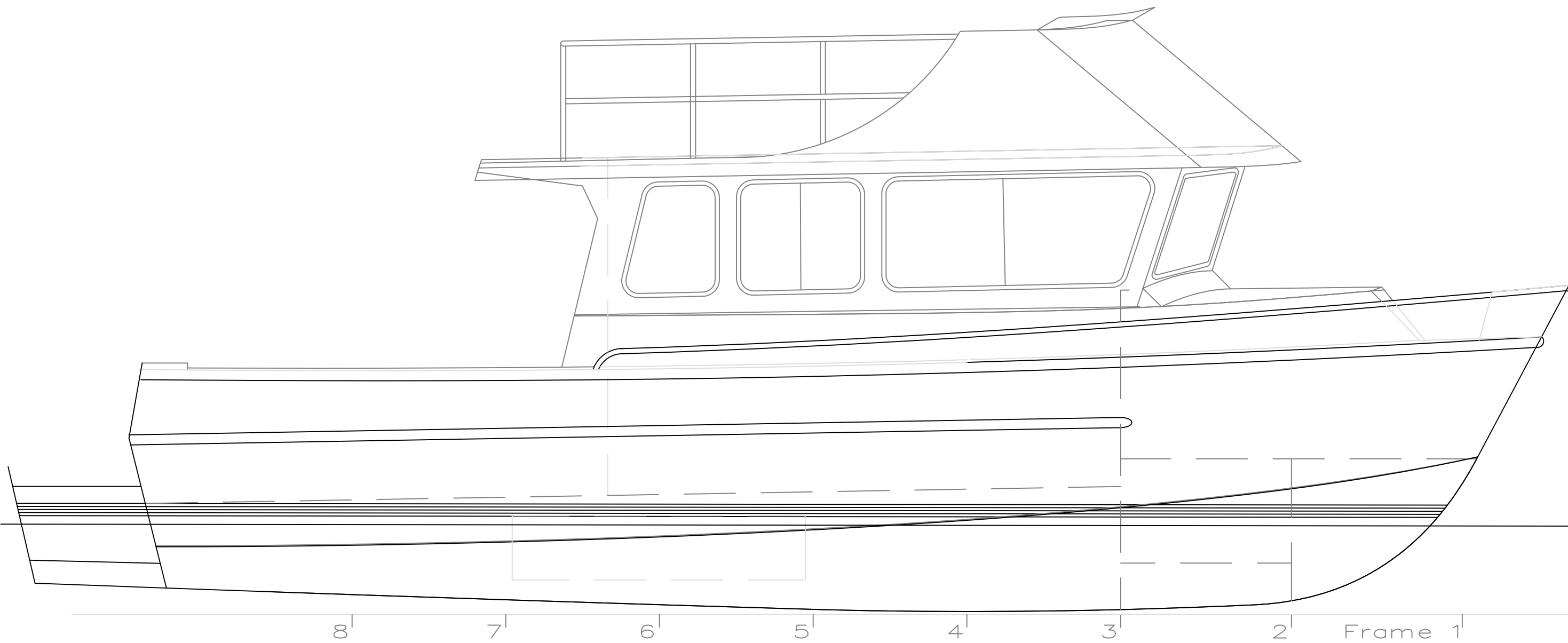
REV.	DESCRIPTION



Norvelle Boats: 2896 Offshore - 28' x 9'7" Hull- 8' Cabin

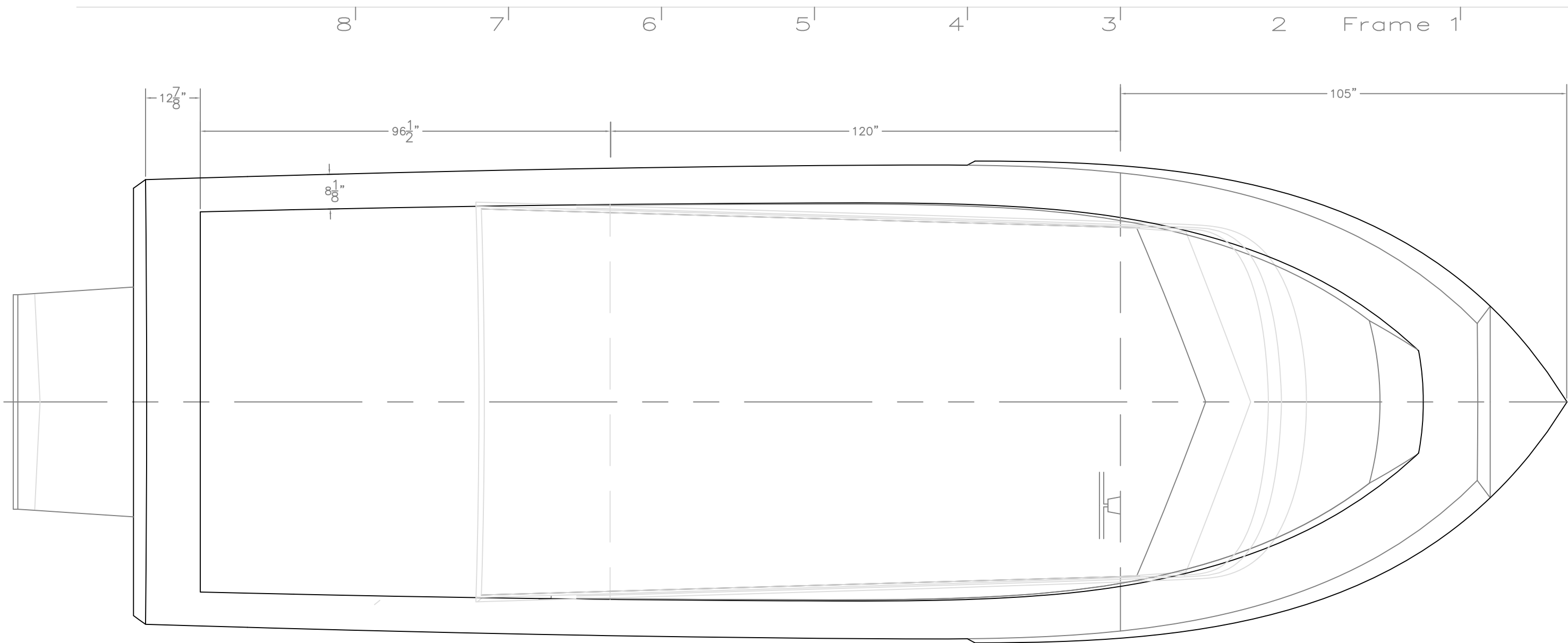
PLAN VIEW		
NORVELLE 2896, 8' House		
SCALE 1/2" = 1'	DES/DWN WAL	DATE 1/2/12
Response Marine, Inc.		SHEET
Newburyport, MA, www.responsemarine.com		DWG NO. 418-1

REV.	DESCRIPTION



PROFILE w/ Flybridge		
NORVELLE 2895, 10' Haise		
SCALE 1/2"=1'	DES/DWN WAL	DATE 5/13/08
Response Marine, Inc. <small>Newington, MA www.responsemarine.com</small>		SHEET
		DWG NO. 303-06

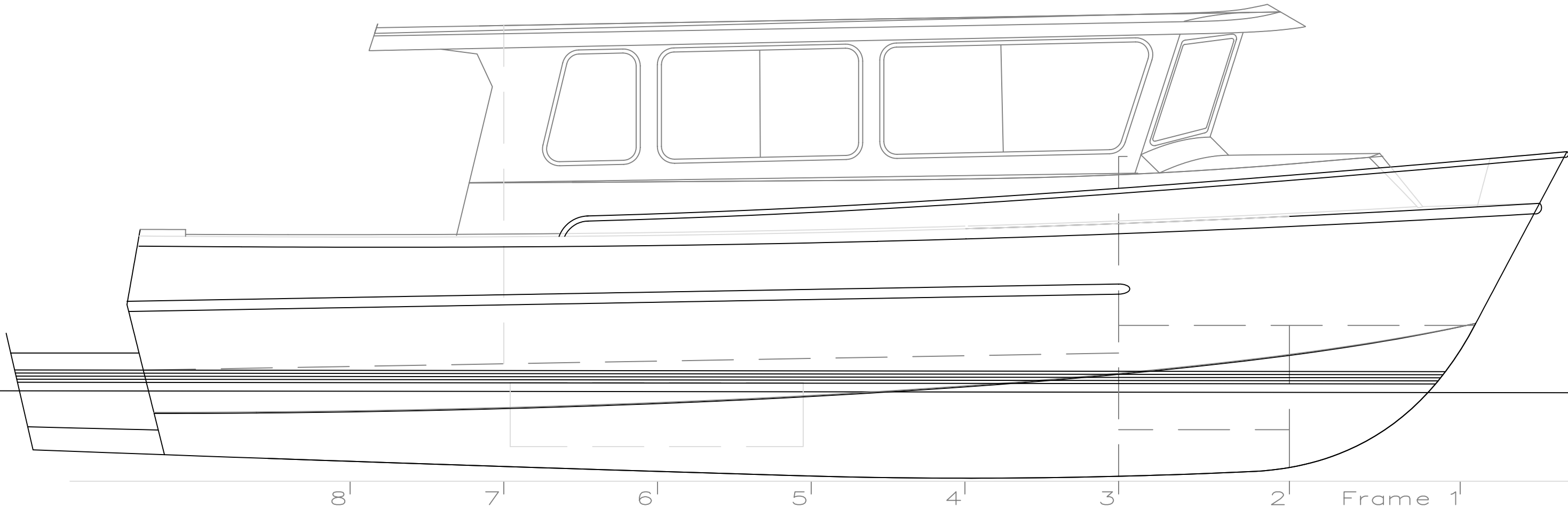
REV.	DESCRIPTION



Norvelle Boats: 2896 Offshore - 28' x 9'7" Hull- 10' Cabin

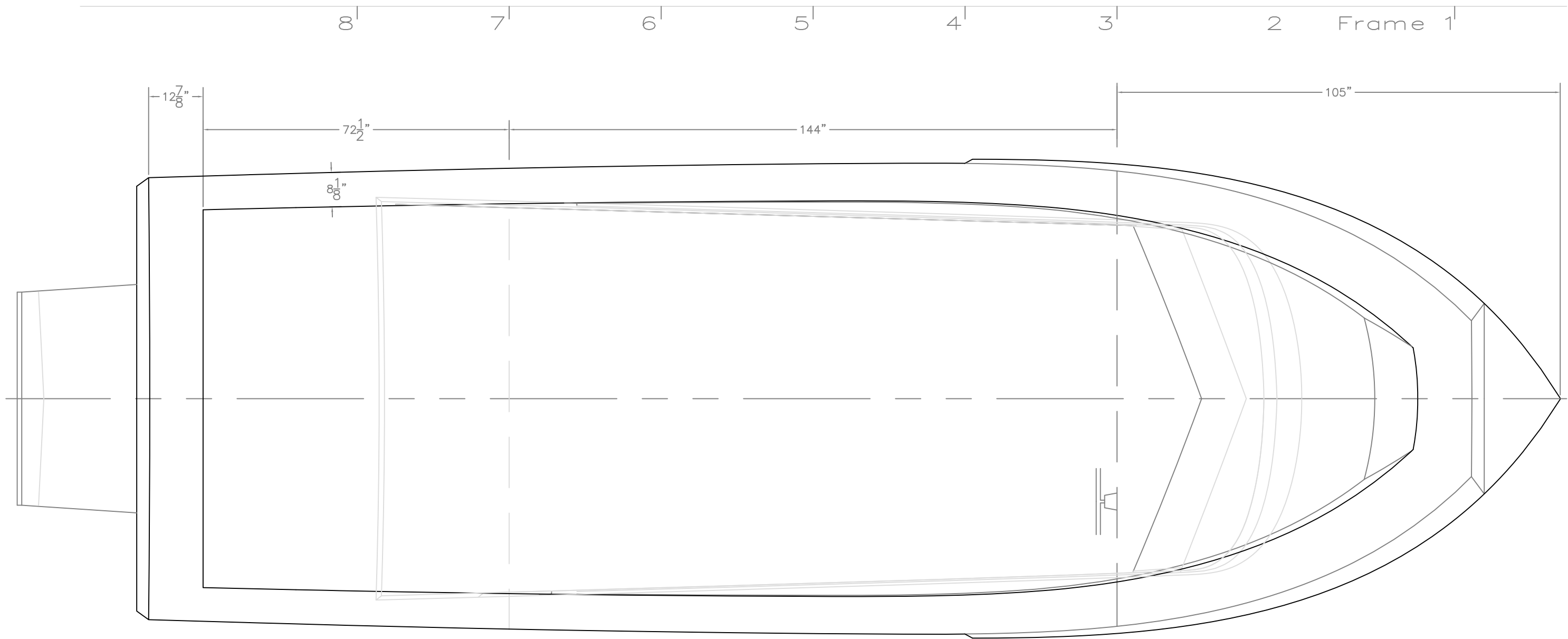
REV.	DESCRIPTION

PLAN VIEW		
NORVELLE 2896, 10' House		
SCALE 1/2" = 1'	DES/DWN WAL	DATE 1/2/12
Response Marine, Inc.		SHEET
Newburyport, MA, www.responsemarine.com		DWG NO. 418-2



PROFILE		
NORVELLE 2895, 12' House		
SCALE 1/2"=1'	DES/DWN WAL	DATE 12/24/07
Response Marine, Inc. Newburyport, MA, www.responsemarine.com		SHEET DWC NO. 303-01

REV.	DESCRIPTION

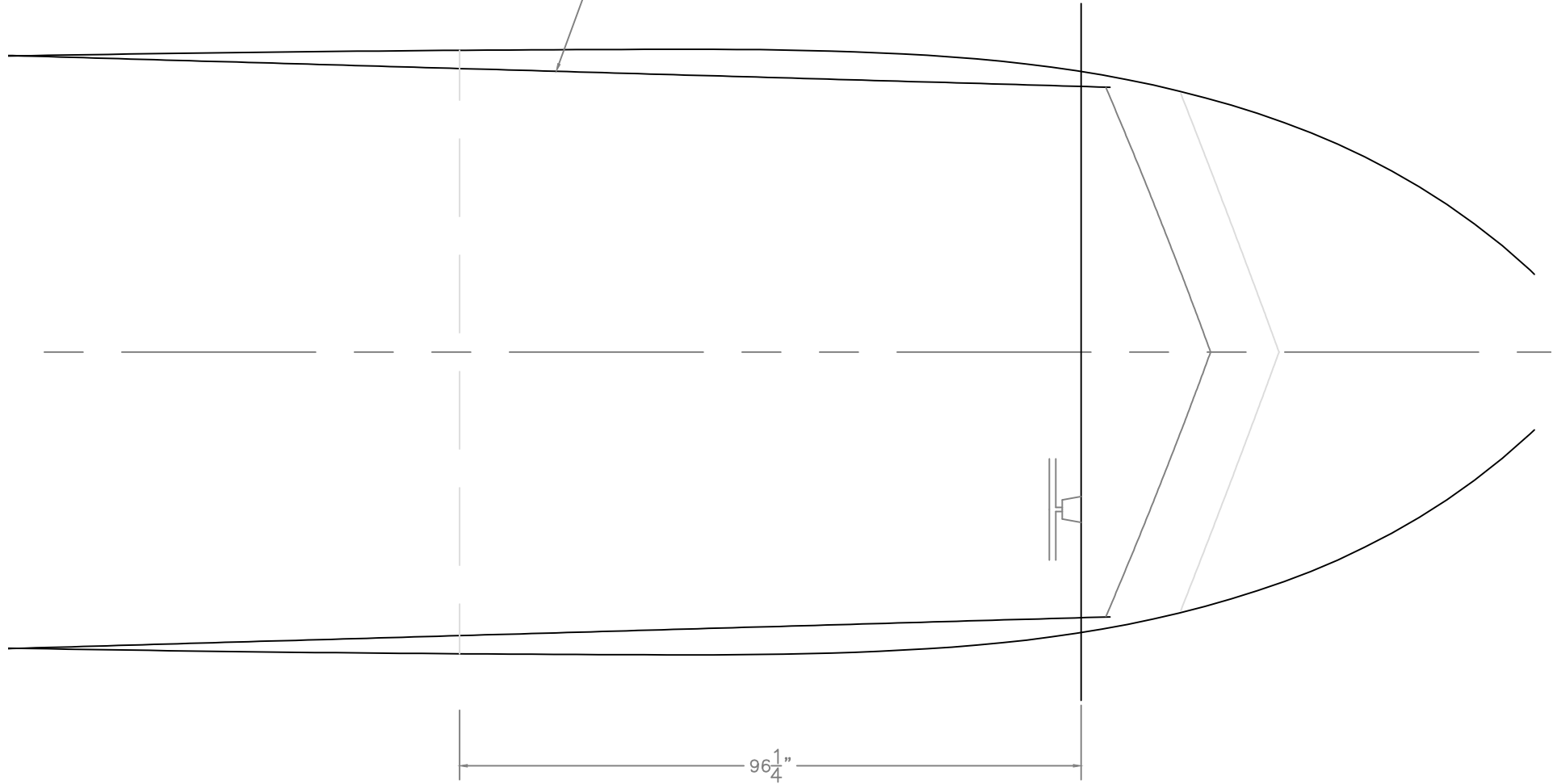


Norvelle Boats: 2896 Offshore - 28' x 9'7" Hull- 12' Cabin

REV.	DESCRIPTION

PLAN VIEW		
NORVELLE 2896, 12' House		
SCALE 1/2" = 1'	DES/DWN WAL	DATE 1/2/12
Response Marine, Inc. Newburyport, MA, www.responsemarine.com		SHEET DWG NO. 418-3

Outside of House Side at Knuckle



HOUSE PLAN, BLANK

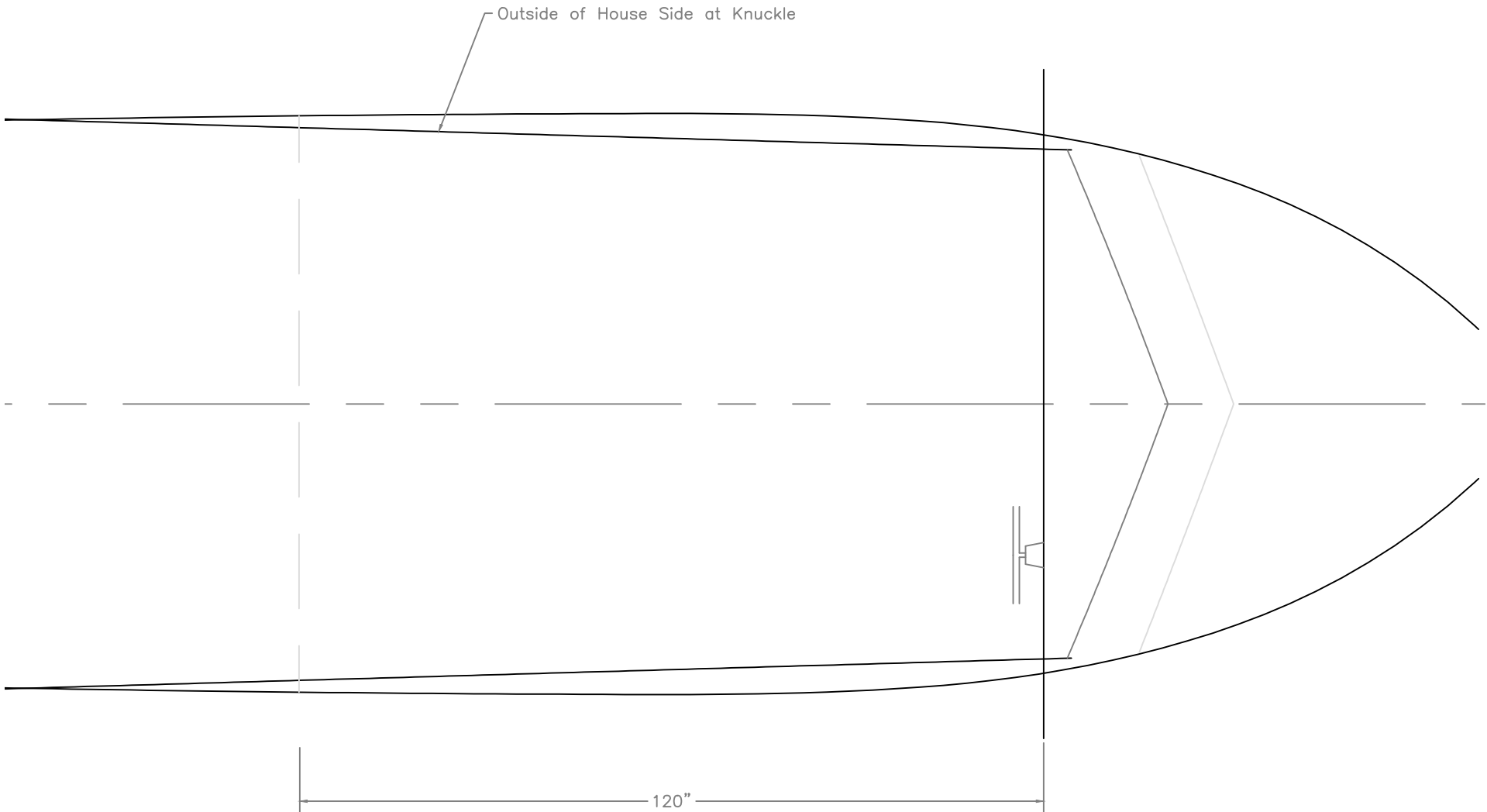
NORVELLE 26 & 28, 8' House

SCALE 1/2"=1'	DES/DWN WAL	DATE 1/2/12
------------------	----------------	----------------

Response Marine, Inc.		SHEET
------------------------------	--	-------

Newburyport, MA, www.responsemarine.com	DWG NO. 418-1A
---	-------------------

REV.	DESCRIPTION



HOUSE PLAN, BLANK

NORVELLE 26 & 28, 10' House

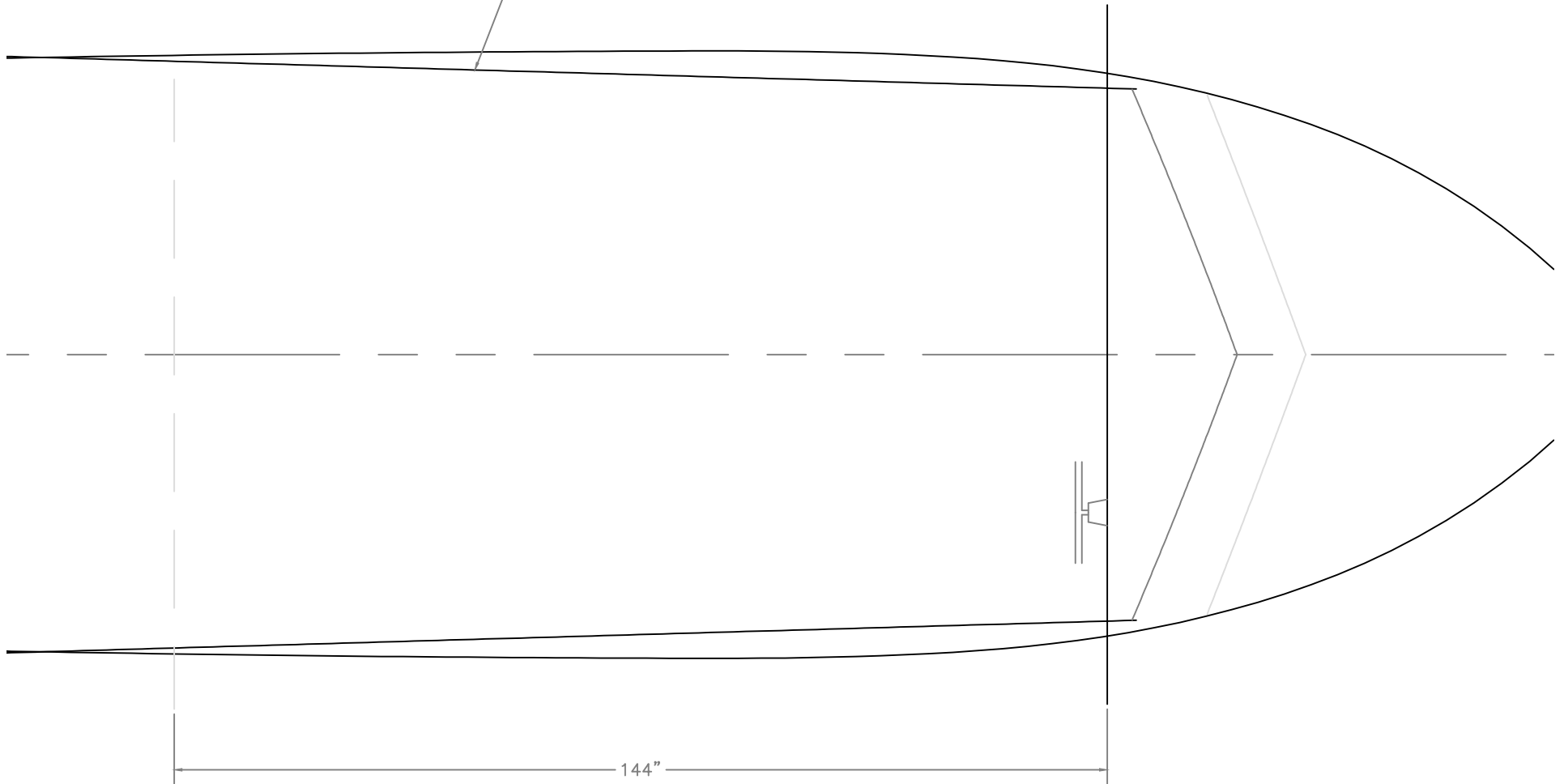
SCALE 1/2"=1'	DES/DWN WAL	DATE 1/2/12
------------------	----------------	----------------

REV.	DESCRIPTION

Response Marine, Inc.
 Newburyport, MA, www.responsemarine.com

DWG NO. 418-2A

Outside of House Side at Knuckle



HOUSE PLAN, BLANK

NORVELLE 26 & 28, 12' House

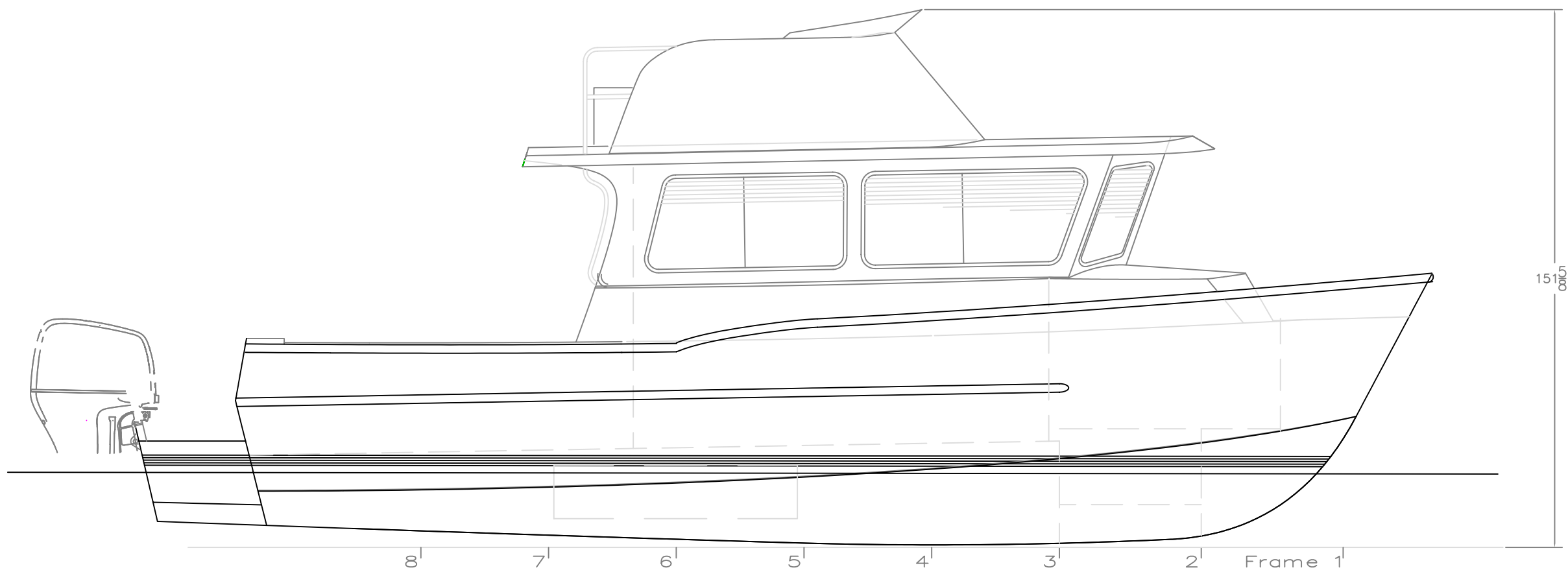
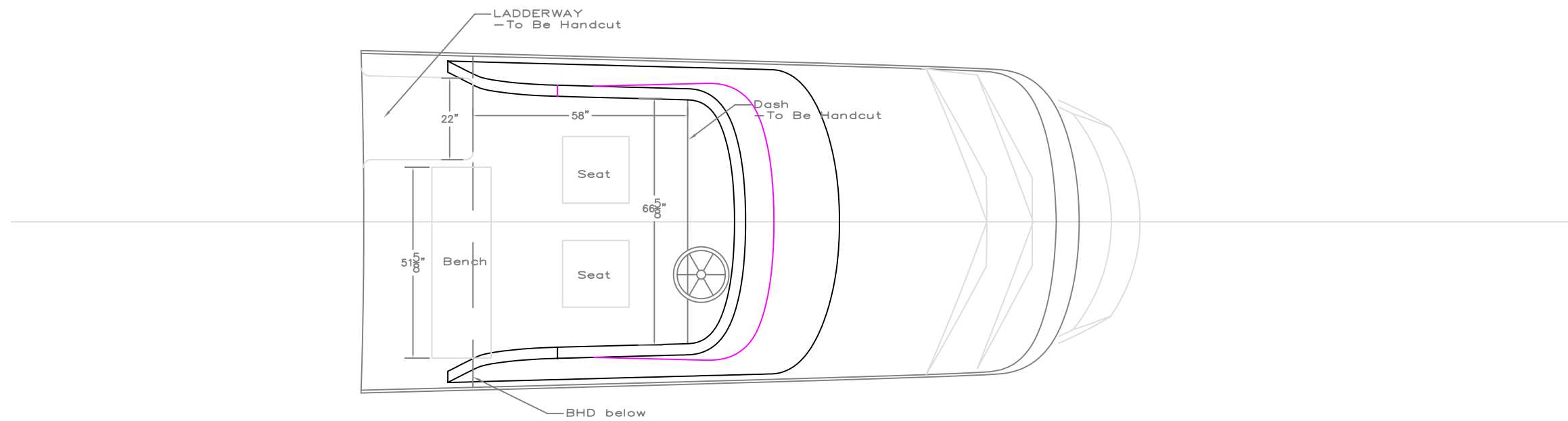
SCALE 1/2"=1'	DES/DWN WAL	DATE 1/2/12
------------------	----------------	----------------

REV.	DESCRIPTION

Response Marine, Inc.

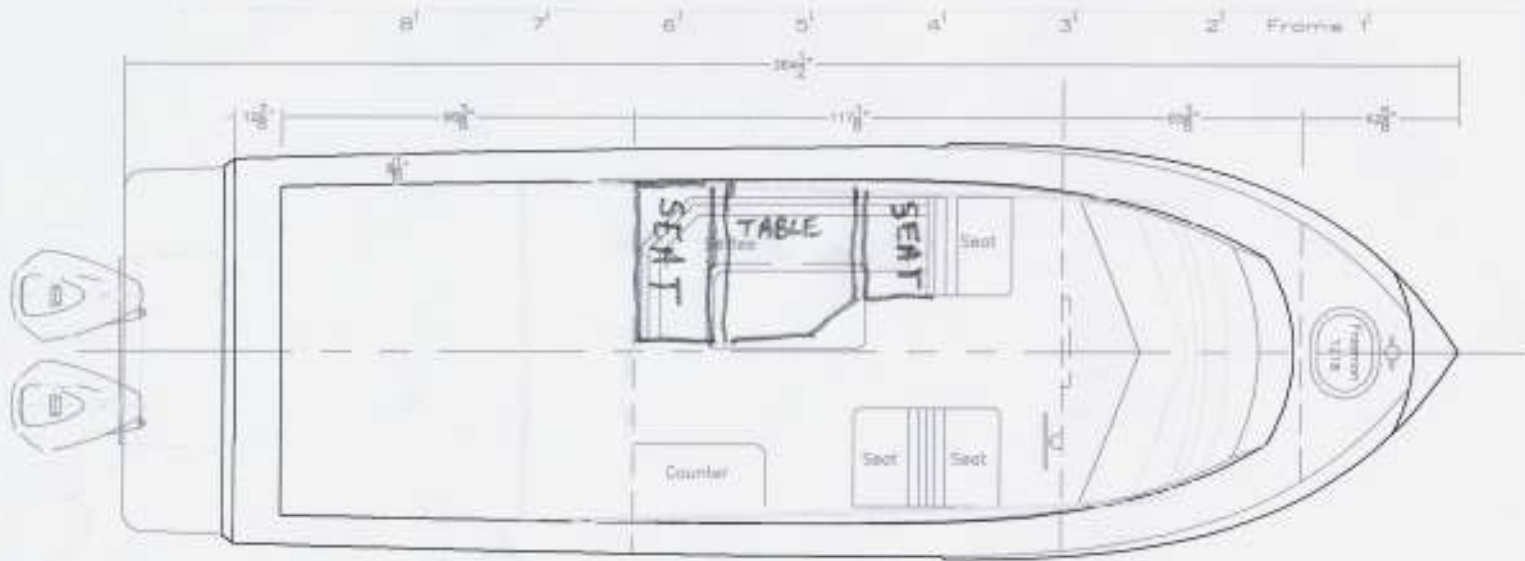
Newburyport, MA, www.responsemarine.com

SHEET
DWG NO. 418-3A



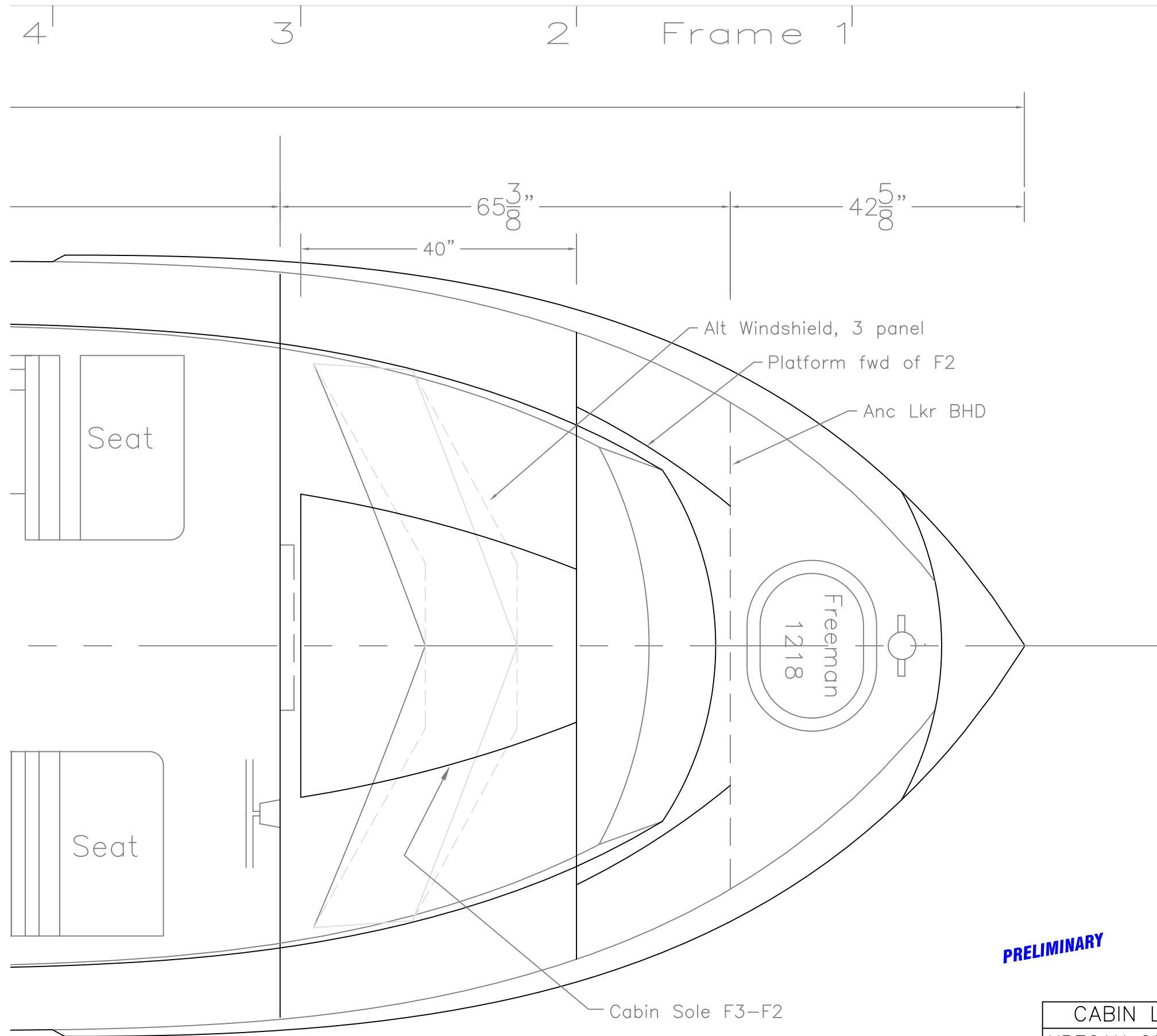
PROFILE & PLAN- ALT. FLYBRIDGE		
KRECAK 2896, 10' House		
SCALE 3/8"=1'	DES/DWN WAL	DATE 9/25/08
Response Marine, Inc. <small>Newington, MA www.responsemarine.com</small>		SHEET DWG NO. 317-01

REV.	DESCRIPTION



PRELIMINARY

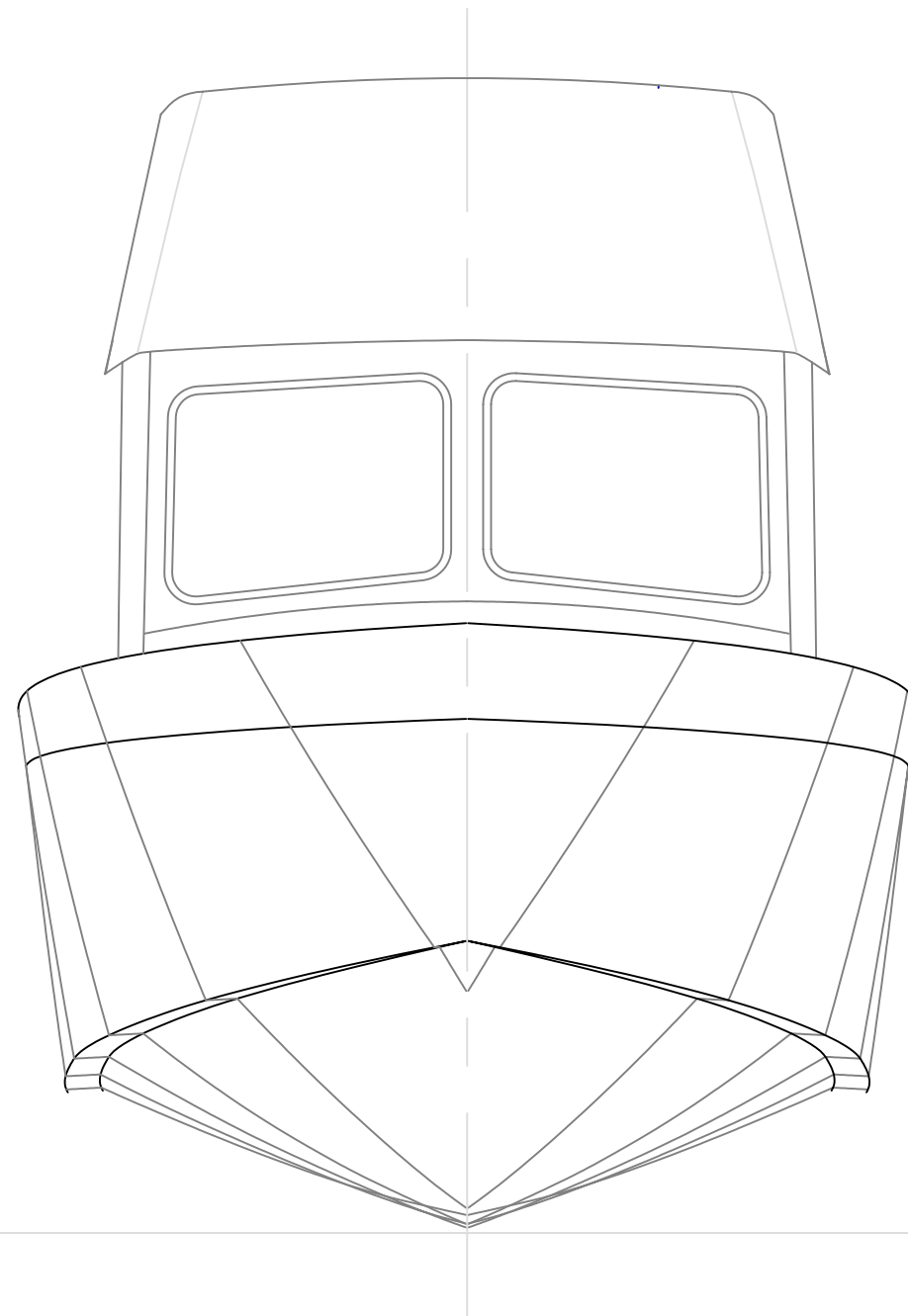
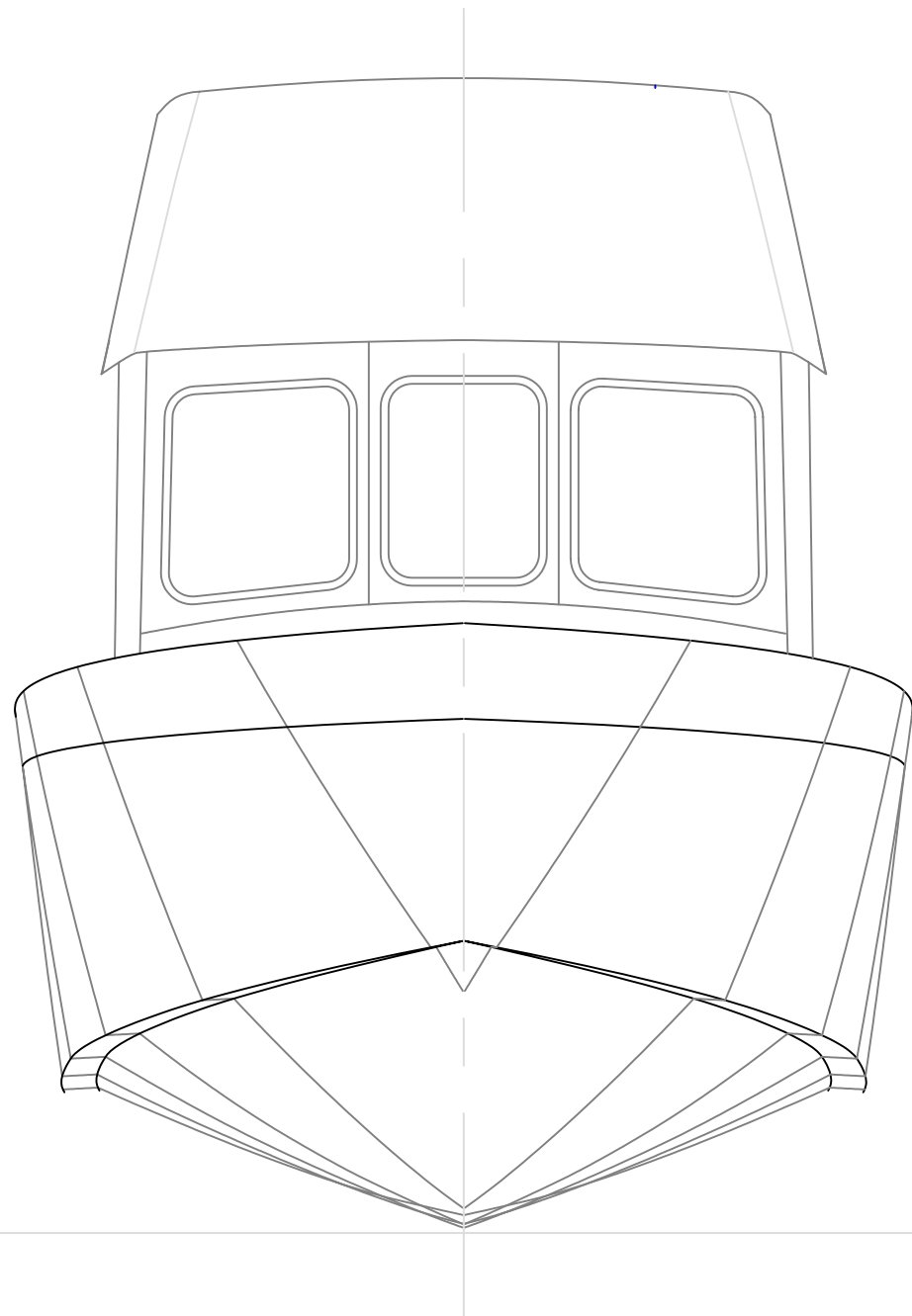
PLAN		
KRECAK 2896, 10' House		
3/8"=1'	WAL	5/20/08
Response Marine, Inc.		317-P2
Huntsville, AL		www.responsemarine.com



PRELIMINARY

CABIN LAYOUT		
KRECAK 2896, 10' House		
SCALE 3/4"=1'	DES/DWN WAL	DATE 7/11/08
Response Marine, Inc.		SHEET
Newburyport, MA, www.responsemarine.com		DWG NO. 317-P5

REV.	DESCRIPTION



PRELIMINARY

BOW VIEWS		
KRECAK 2896, 10' House		
SCALE 1/2"=1'	DES/DWN WAL	DATE 7/9/08
Response Marine, Inc.		SHEET
Newburyport, MA, www.responsemarine.com		DWG NO. 317-P3

REV.	DESCRIPTION