

OUTBOARD PROFILE

I/O Version

NORVELLE 32' X 10'

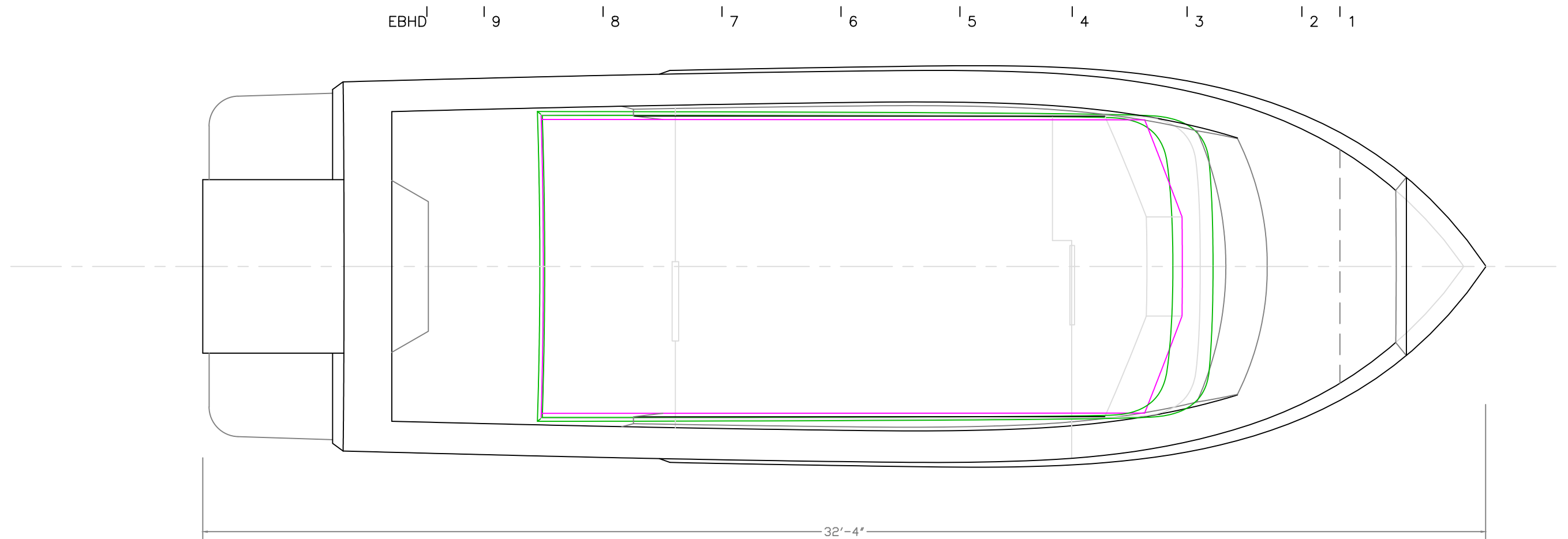
SCALE	DES/DWN	DATE
3/8" = 1'	WAL	7/10/17

REV
8/8/17

DWG NO.
560-1, R1

REV.	DESCRIPTION
8/8/17,	Updated to Revised Hull Model

Response Marine, Inc.
 Newburyport, MA, www.responsemarine.com



OUTBOARD PLAN

I/O Version

NORVELLE 32' X 10'

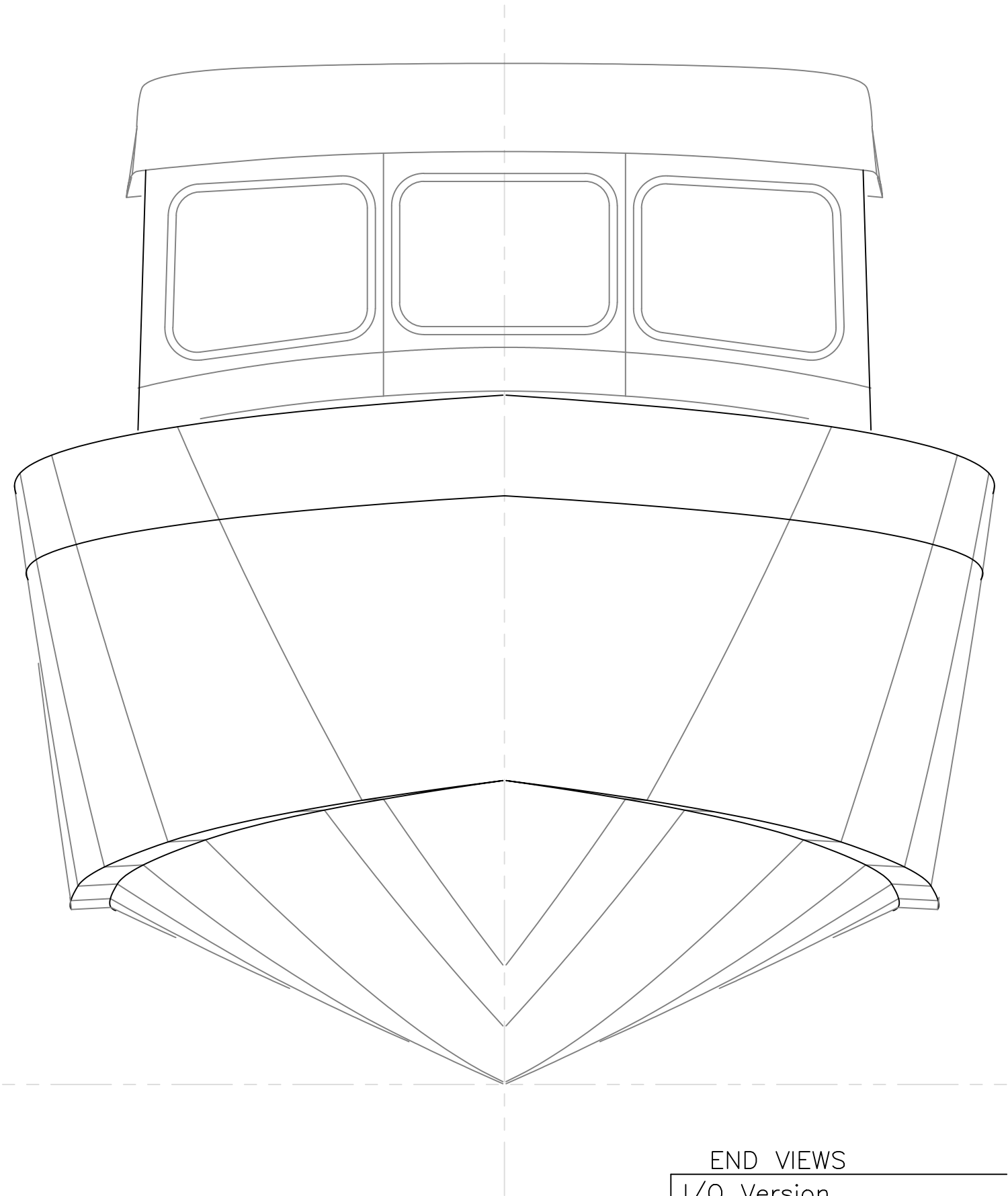
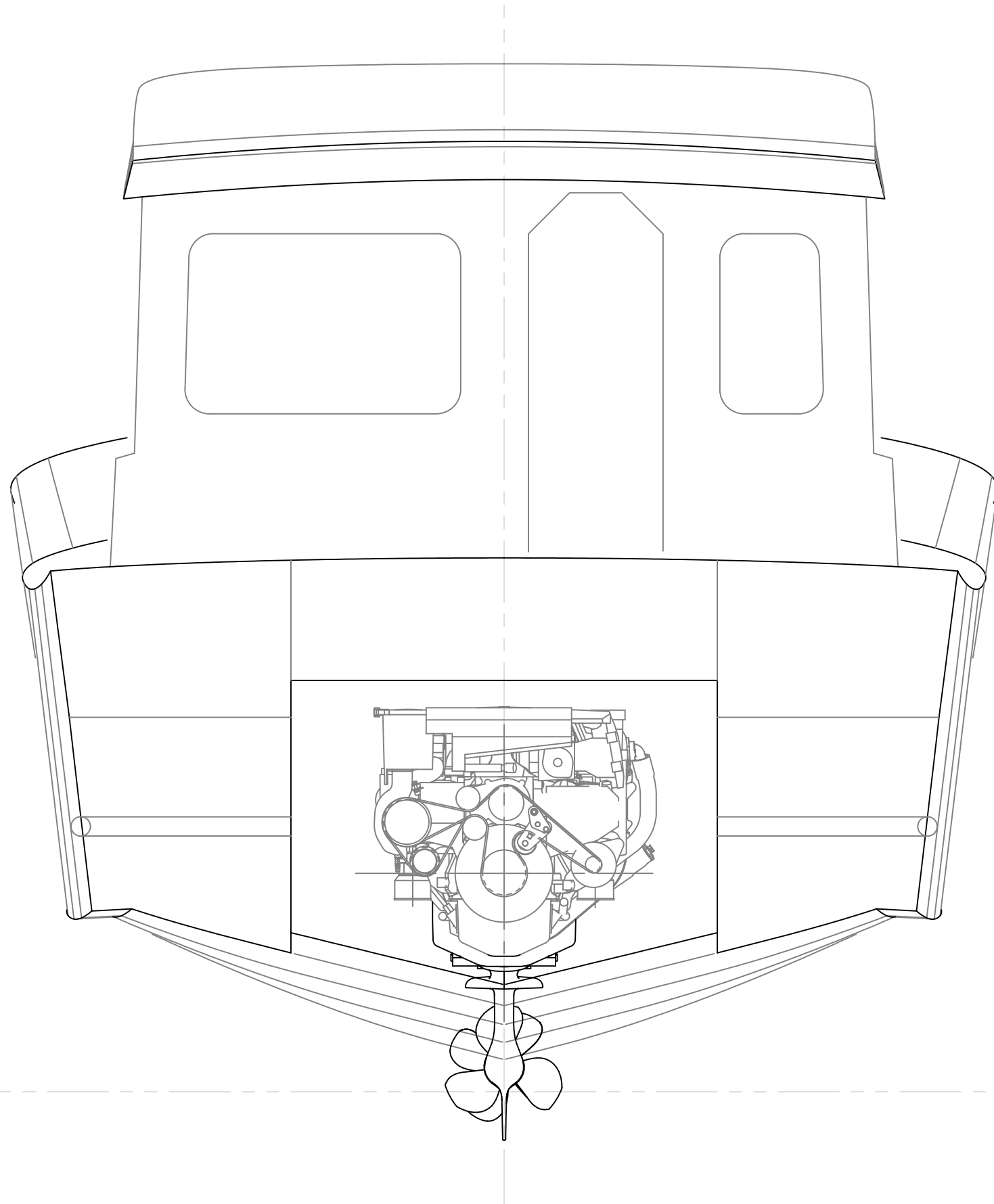
SCALE 3/8" = 1'	DES/DWN WAL	DATE 7/10/17
--------------------	----------------	-----------------

REV 8/8/17

DWG NO. 560-2, R1

REV.	DESCRIPTION
8/8/17,	Updated to Revised Hull Model

Response Marine, Inc.
 Newburyport, MA, www.responsemarine.com



END VIEWS

I/O Version

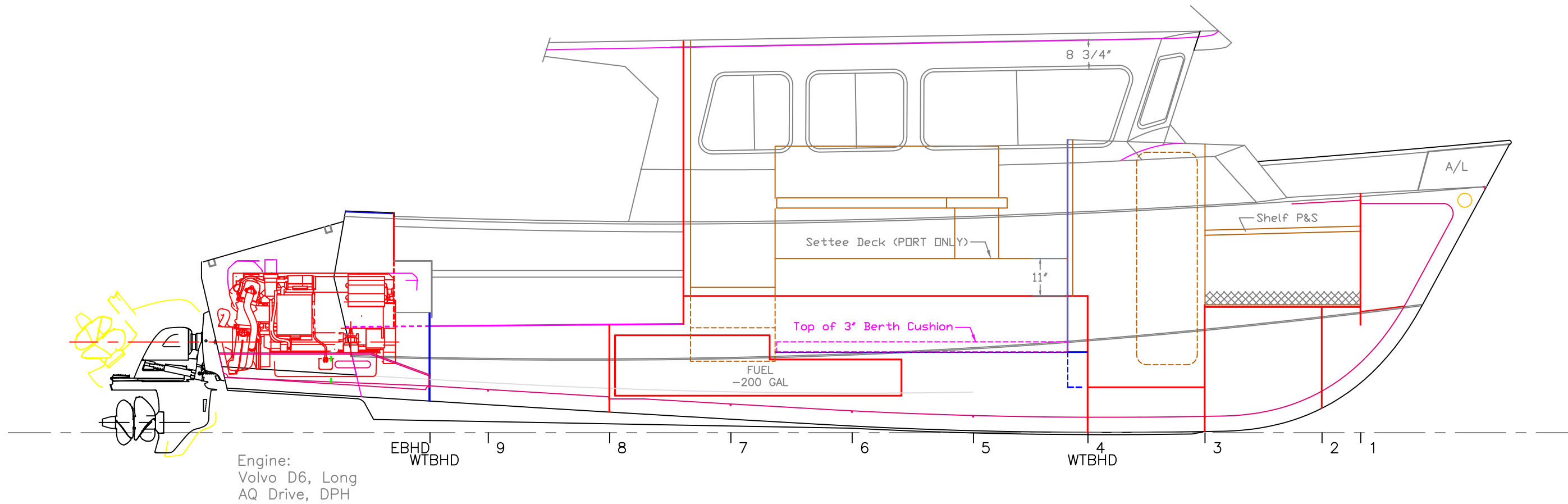
NORVELLE 32' X 10'

SCALE 3/4" = 1'	DES/DWN WAL	DATE 7/10/17
--------------------	----------------	-----------------

REV 8/8/17

Response Marine, Inc.
Newburyport, MA, www.responsemarine.com DWG NO. 560-3, R1

REV.	DESCRIPTION
8/8/17,	Updated to Revised Hull Model

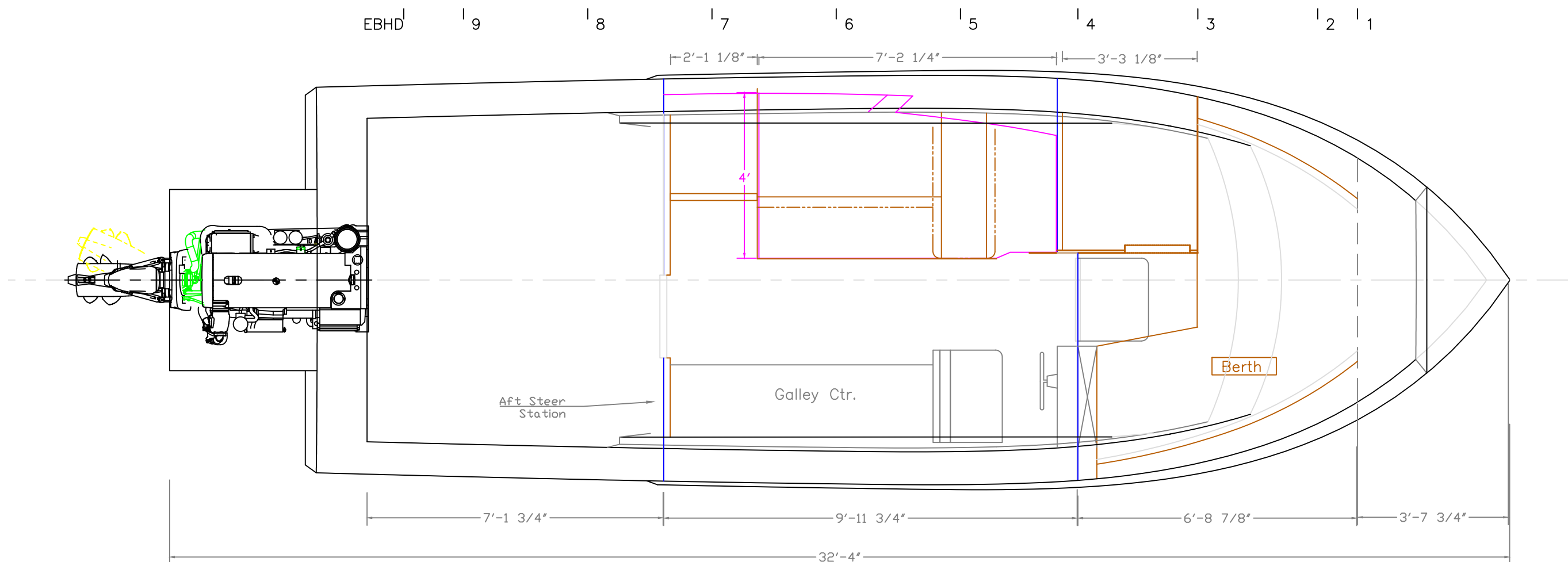


INBOARD PROFILE

I/O Version		
NORVELLE 32' X 10'		
SCALE 3/8" = 1'	DES/DWN WAL	DATE 7/10/17
REV 8/8/17		REV 8/8/17
DWG NO. 560-4, R1		

REV. DESCRIPTION
8/8/17, Updated to Revised Hull Model

Response Marine, Inc.
Newburyport, MA, www.responsemarine.com



ARRANGEMENT PLAN

1/0 Version

NORVELLE 32' X 10'

SCALE 3/8" = 1'	DES/DWN WAL	DATE 7/10/17
--------------------	----------------	-----------------

REV 8/8/17

DWG NO. 560-5, R1

REV.	DESCRIPTION
8/8/17,	Updated to Revised Hull Model

Response Marine, Inc.
Newburyport, MA, www.responsemarine.com