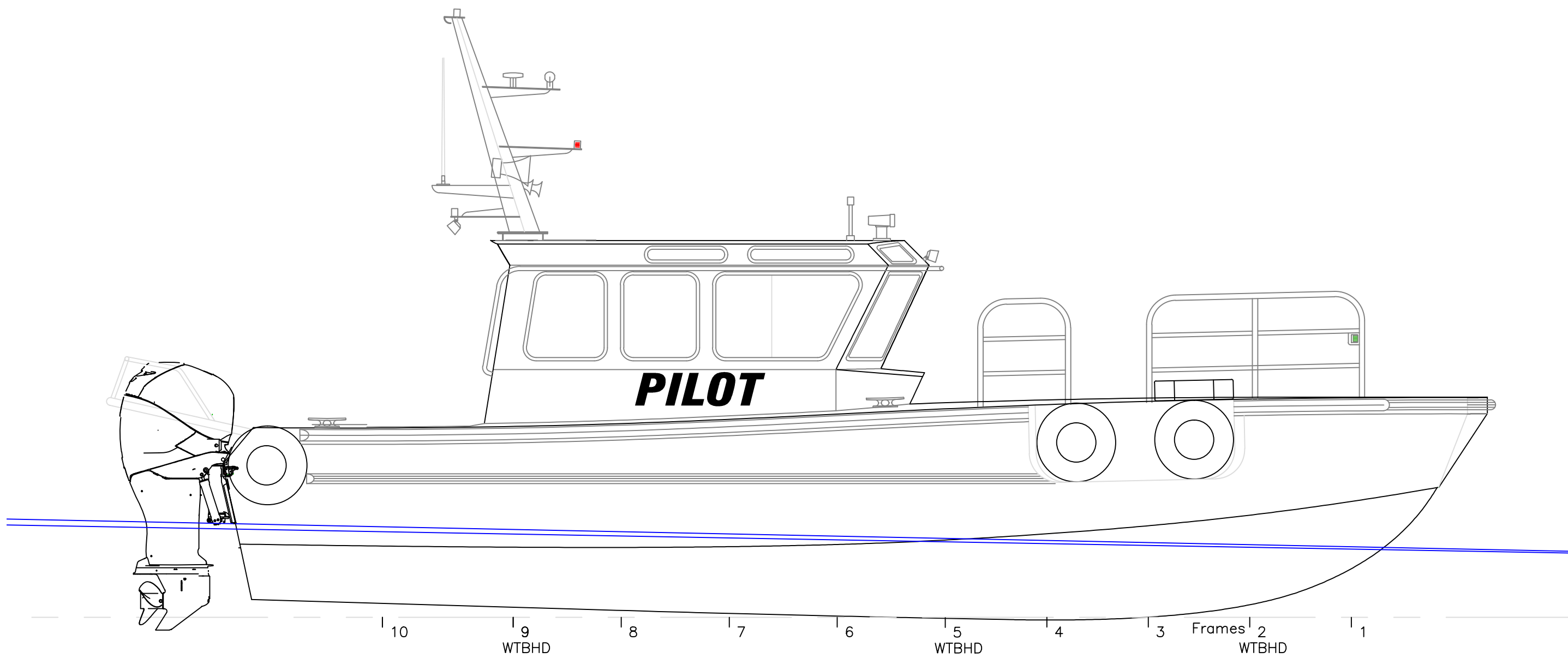


Hull LOA	32' 2" (w/o rails & fenders)
Hull Beam	10' 6" (w/o Fenders)

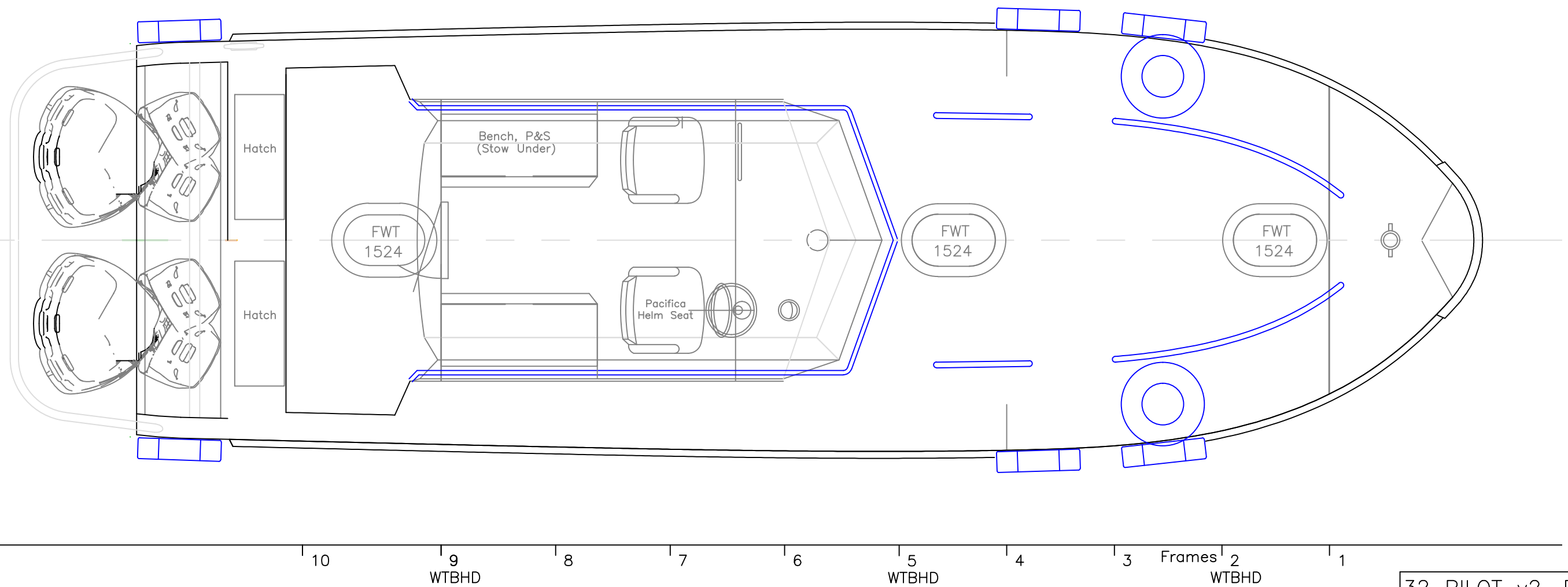
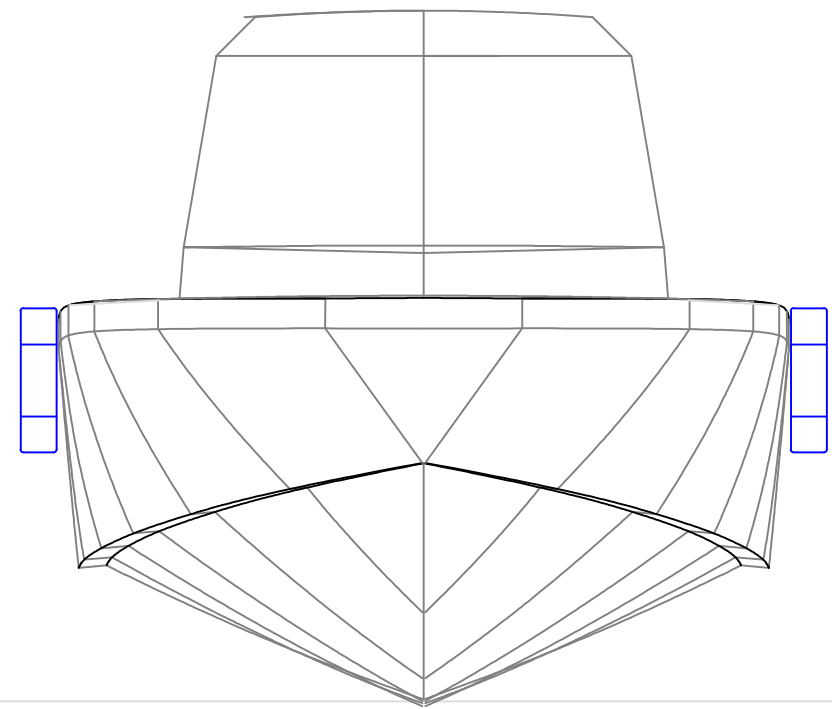


This drawing represents intellectual property of Response Marine, Inc. Reproduction of this drawing in any form, in whole or in part, including transmissions of any type, to third parties is forbidden without the prior written consent of Response Marine, Inc.

**PRELIMINARY**

REV.	DESCRIPTION

32 PILOT v2, Outbd Profile for: VIPA		
SCALE 3/8"=1'	DES/DWN WAL/JCC	DATE 2/18/15
<b>Response Marine, Inc.</b>		REV
Newburyport, MA, <a href="http://www.responsemarine.com">www.responsemarine.com</a>		DWG NO. 498-P1A

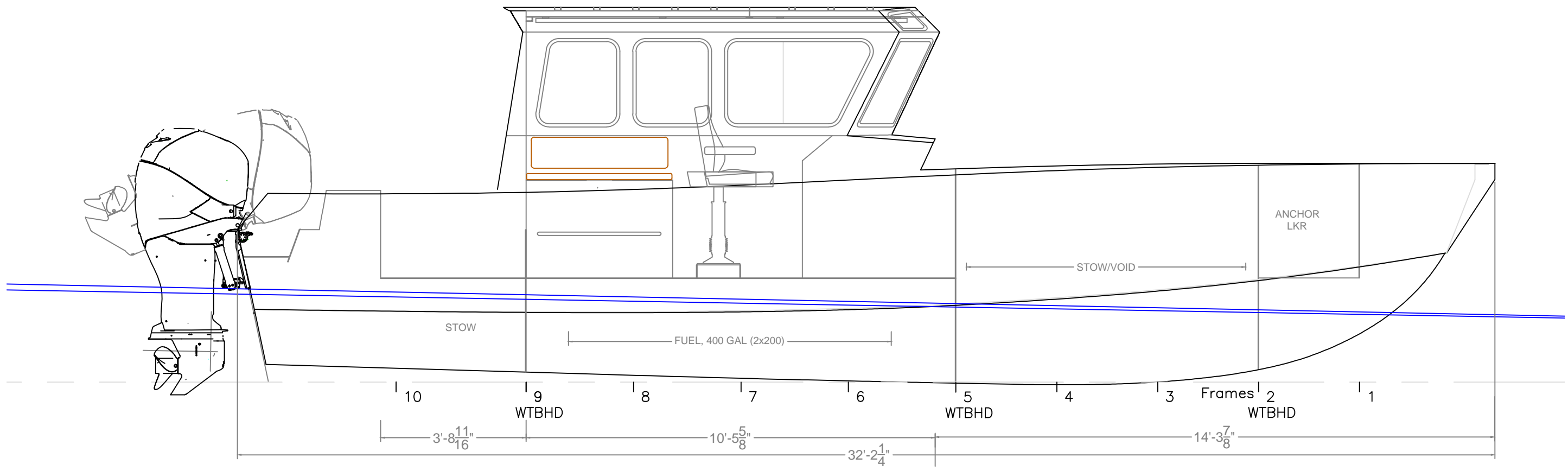


This drawing represents intellectual property of Response Marine, Inc. Reproduction of this drawing in any form, in whole or in part, including transmissions of any type, to third parties is forbidden without the prior written consent of Response Marine, Inc.

**PRELIMINARY**

REV.	DESCRIPTION

32 PILOT v2, Plan & Bow for: VIPA		
SCALE 3/8"=1'	DES/DWN WAL/JCC	DATE 2/18/15
<b>Response Marine, Inc.</b>		REV
Newburyport, MA, <a href="http://www.responsemarine.com">www.responsemarine.com</a>		DWG NO. 498-P2A



This drawing represents intellectual property of Response Marine, Inc. Reproduction of this drawing in any form, in whole or in part, including transmissions of any type, to third parties is forbidden without the prior written consent of Response Marine, Inc.

**PRELIMINARY**

REV.	DESCRIPTION

32 PILOT v2, Inbd Profile for: VIPA		
SCALE 3/8"=1'	DES/DWN WAL/JCC	DATE 2/18/15
<b>Response Marine, Inc.</b>		REV
Newburyport, MA, <a href="http://www.responsemarine.com">www.responsemarine.com</a>		DWG NO. 498-P3A