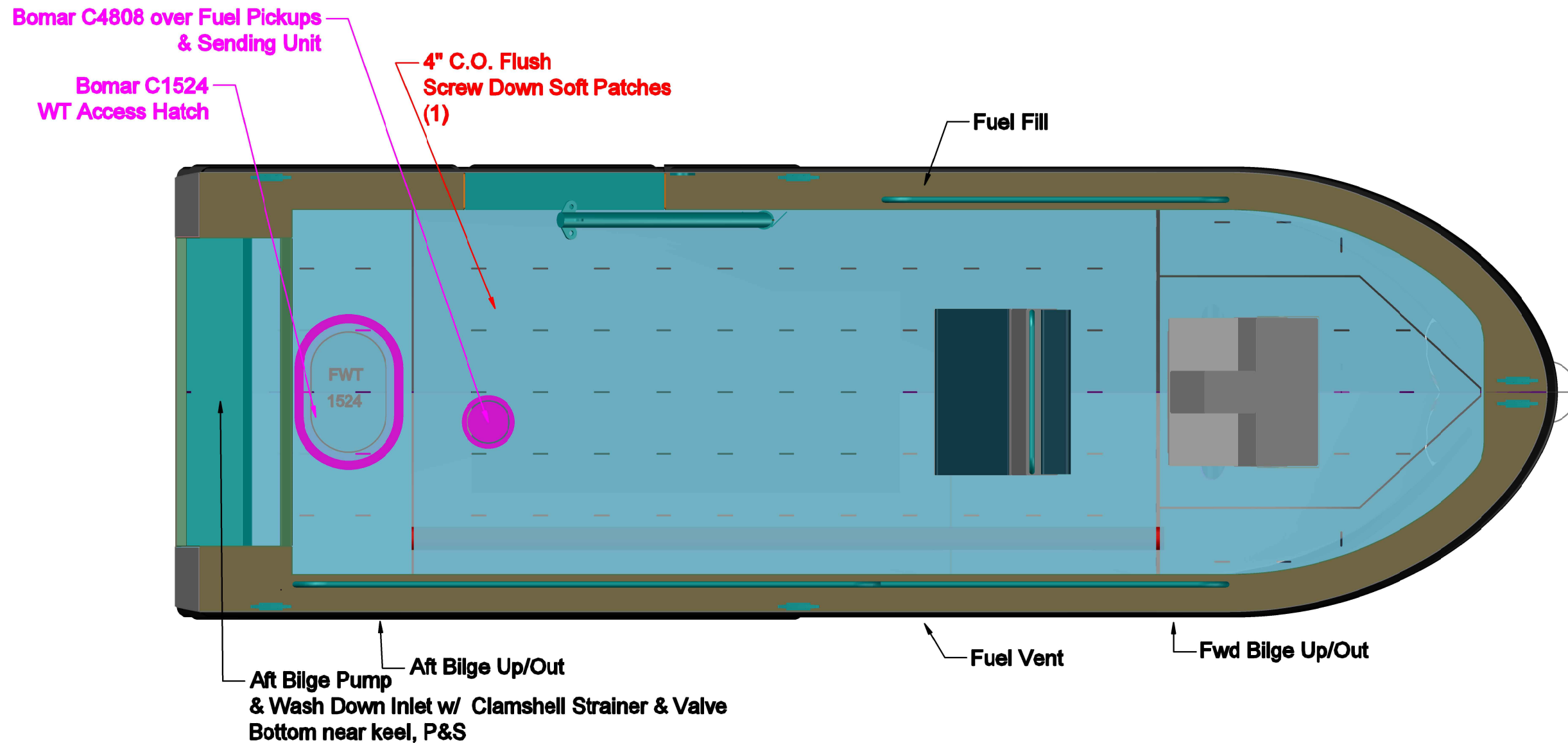


This drawing and referenced information represent the intellectual property of Response Marine, Inc. Use, reproduction, or transmittal of drawings and referenced NC part files requires pre-payment of licensing fee to Response Marine, Inc. Construction of each boat and component fabrication are licensed on a per boat basis, and require proof of payment for each unit built, prior to construction. Possession of this drawing and referenced information does not constitute the right to use. Proper boat construction and outfitting requires knowledge and expertise beyond the scope of this, and other, drawings, and this knowledge and expertise is the sole responsibility of the builder.

REV.	DESCRIPTION

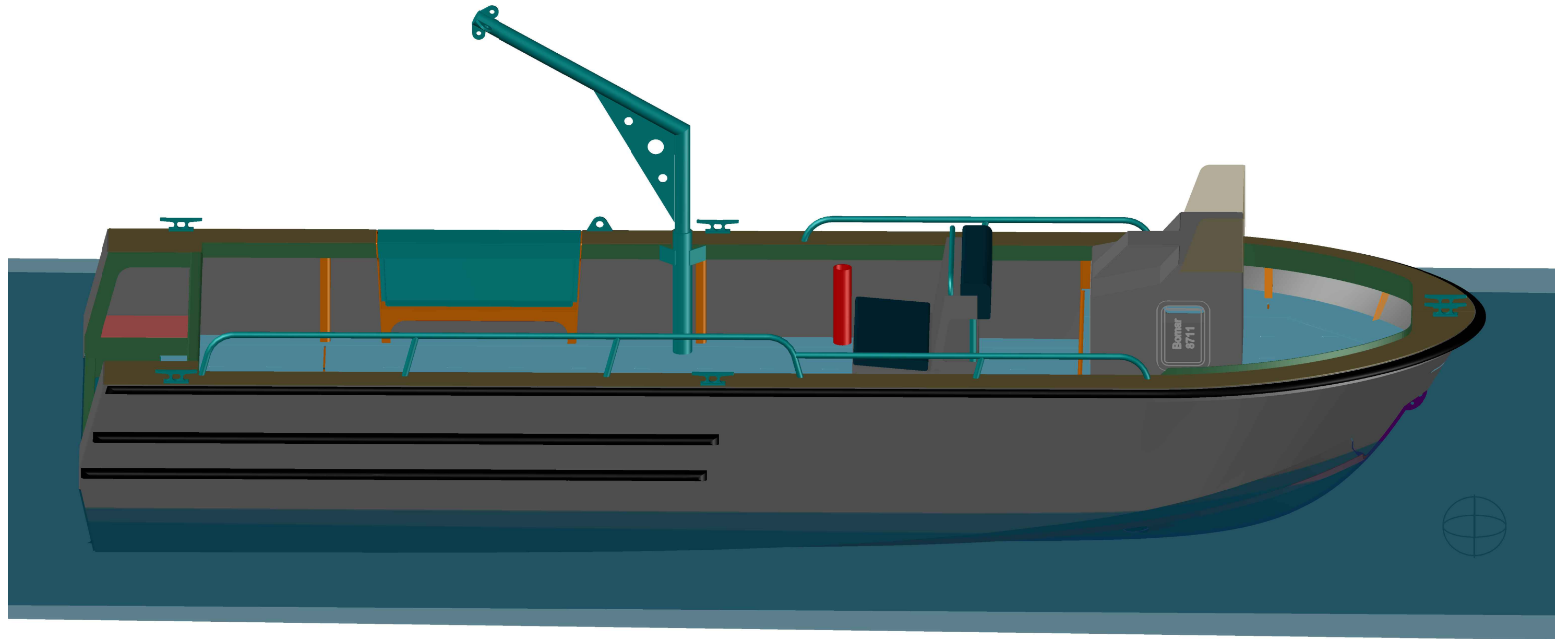
PORT PROFILE- Shaded		
22.3'x7.1' for Maine ACF		
SCALE 1/2"=1'	DES/DWN WAL	DATE 5/16/22
<b>Response Marine, Inc.</b> Newburyport, MA, <a href="http://www.responsemarine.com">www.responsemarine.com</a>		REV DWG NO. 622-1-1



Plan View— Shaded		
22.3'x7.1' for Maine ACF		
SCALE 1/2"=1'	DES/DWN WAL	DATE 5/16/22
<b>Response Marine, Inc.</b> Newburyport, MA, <a href="http://www.responsemarine.com">www.responsemarine.com</a>		REV DWG NO. 622-1-2

This drawing and referenced information represent the intellectual property of Response Marine, Inc. Use, reproduction, or transmittal of drawings and referenced NC part files requires pre-payment of licensing fee to Response Marine, Inc. Construction of each boat and component fabrication are licensed on a per boat basis, and require proof of payment for each unit built, prior to construction. Possession of this drawing and referenced information does not constitute the right to use. Proper boat construction and outfitting requires knowledge and expertise beyond the scope of this, and other, drawings, and this knowledge and expertise is the sole responsibility of the builder.

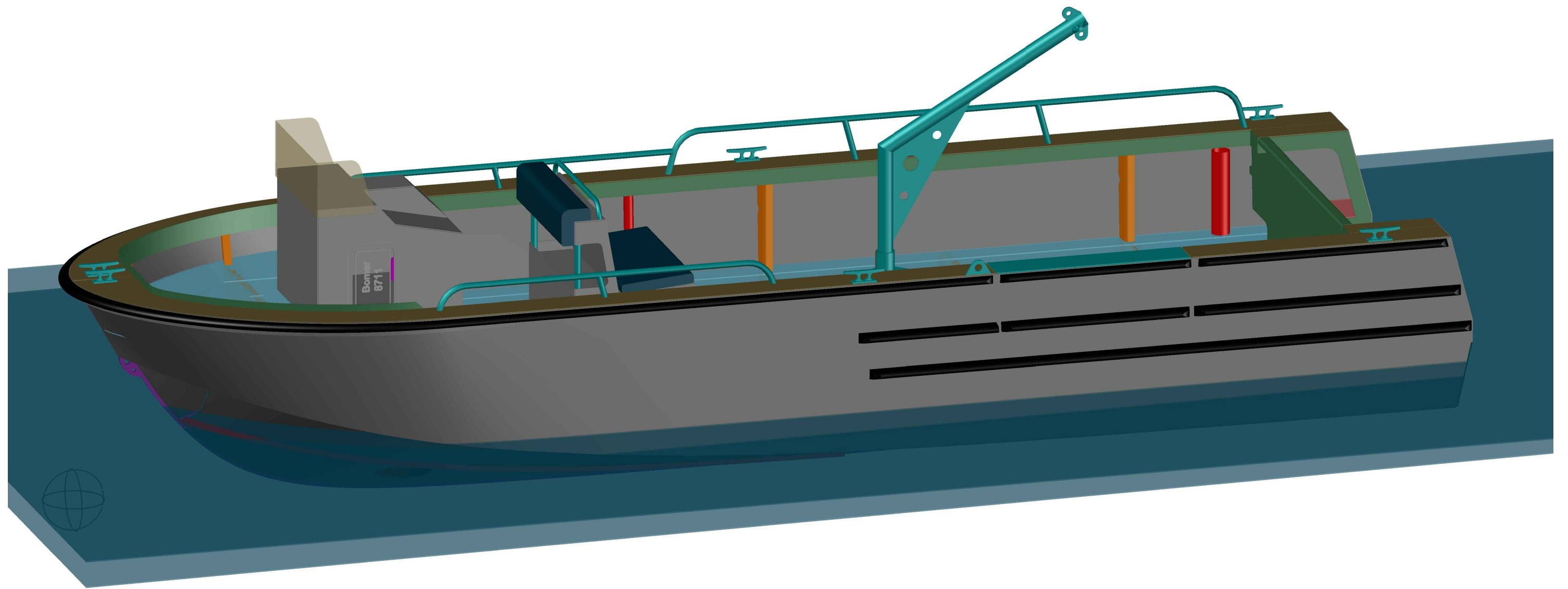
REV.	DESCRIPTION



This drawing and referenced information represent the intellectual property of Response Marine, Inc. Use, reproduction, or transmittal of drawings and referenced NC part files requires pre-payment of licensing fee to Response Marine, Inc. Construction of each boat and component fabrication are licensed on a per boat basis, and require proof of payment for each unit built, prior to construction. Possession of this drawing and referenced information does not constitute the right to use. Proper boat construction and outfitting requires knowledge and expertise beyond the scope of this, and other, drawings, and this knowledge and expertise is the sole responsibility of the builder.

REV.	DESCRIPTION

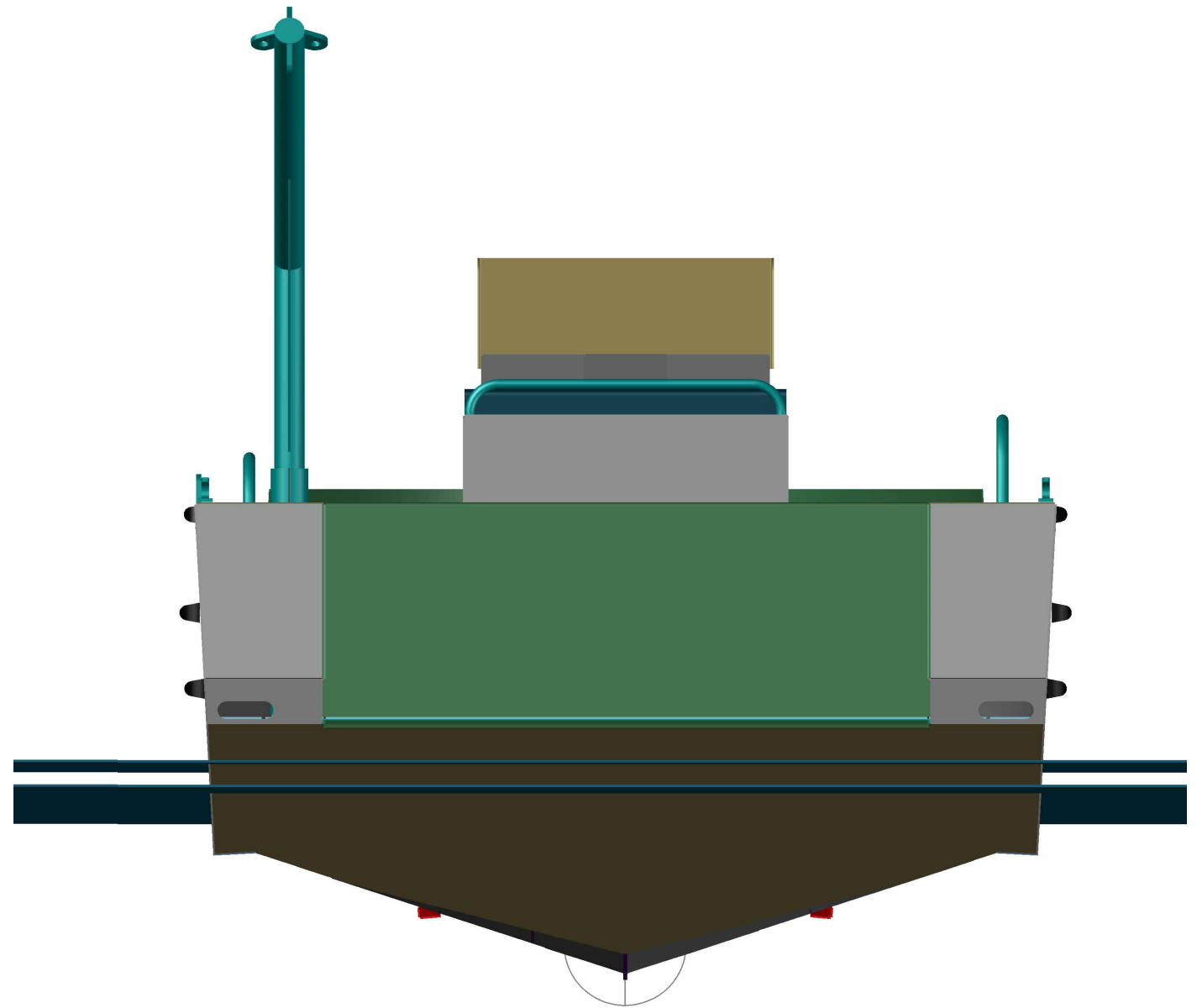
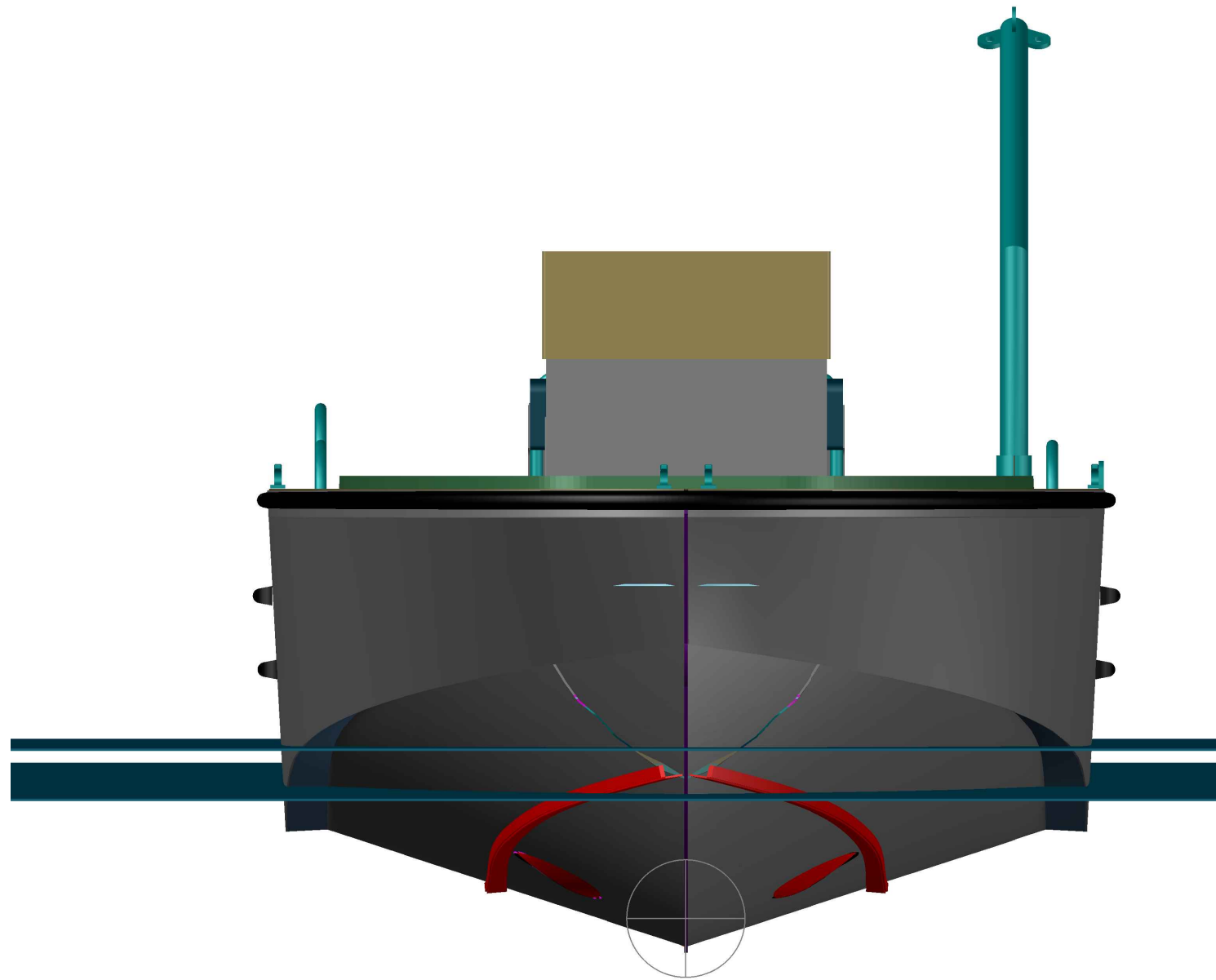
STBD PERSPECTIVE		
22.3'x7.1' for Maine ACF		
SCALE NONE	DES/DWN WAL	DATE 5/16/22
<b>Response Marine, Inc.</b>		REV
Newburyport, MA, <a href="http://www.responsemarine.com">www.responsemarine.com</a>		DWG NO. 622-1-3



This drawing and referenced information represent the intellectual property of Response Marine, Inc. Use, reproduction, or transmittal of drawings and referenced NC part files requires pre-payment of licensing fee to Response Marine, Inc. Construction of each boat and component fabrication are licensed on a per boat basis, and require proof of payment for each unit built, prior to construction. Possession of this drawing and referenced information does not constitute the right to use. Proper boat construction and outfitting requires knowledge and expertise beyond the scope of this, and other, drawings, and this knowledge and expertise is the sole responsibility of the builder.

REV.	DESCRIPTION

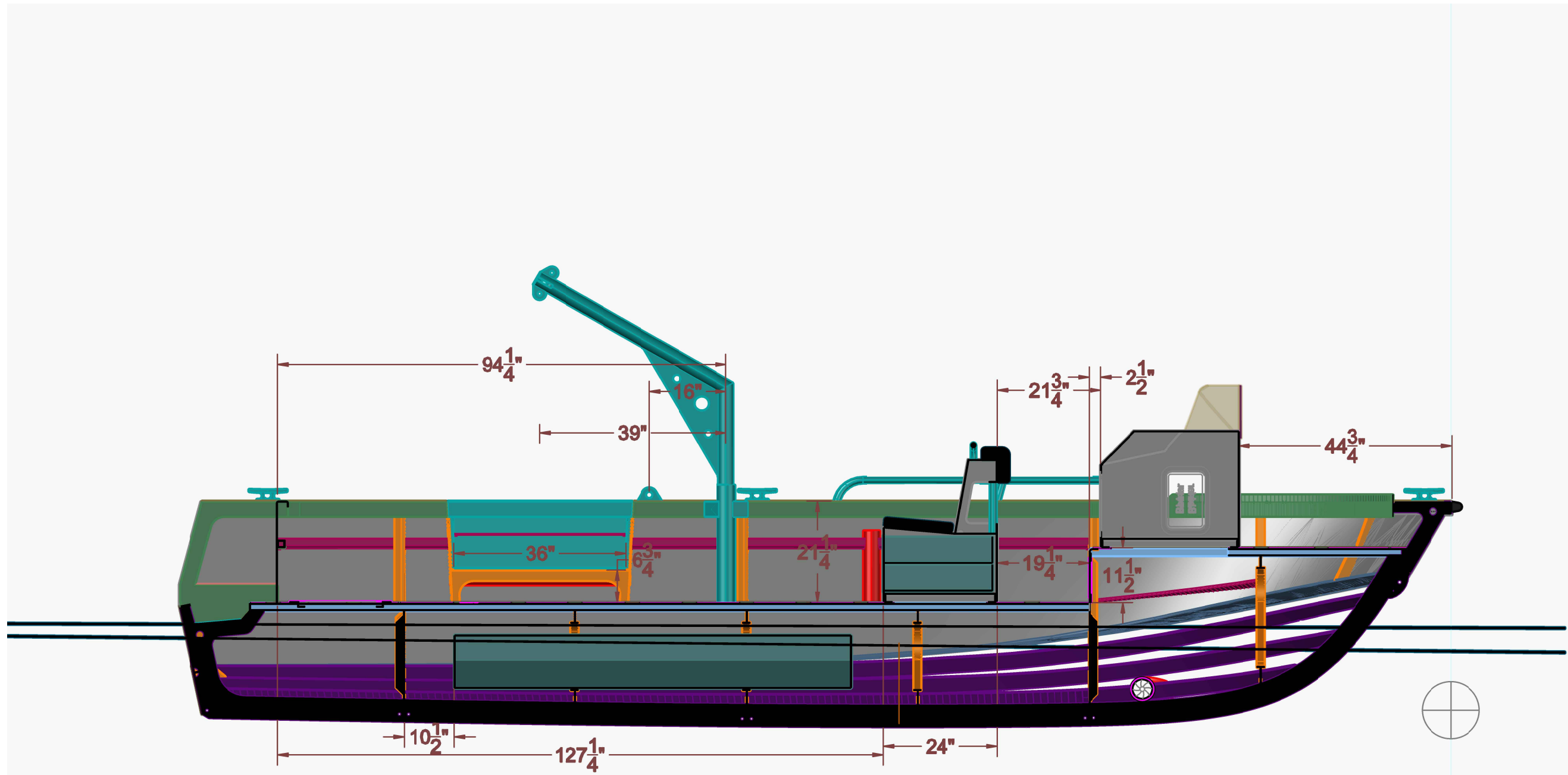
PORT PERSPECTIVE		
22.3'x7.1' for Maine ACF		
SCALE NONE	DES/DWN WAL	DATE 5/16/22
<b>Response Marine, Inc.</b> Newburyport, MA, <a href="http://www.responsemarine.com">www.responsemarine.com</a>		REV DWG NO. 622-1-4



This drawing and referenced information represent the intellectual property of Response Marine, Inc. Use, reproduction, or transmittal of drawings and referenced NC part files requires pre-payment of licensing fee to Response Marine, Inc. Construction of each boat and component fabrication are licensed on a per boat basis, and require proof of payment for each unit built, prior to construction. Possession of this drawing and referenced information does not constitute the right to use. Proper boat construction and outfitting requires knowledge and expertise beyond the scope of this, and other, drawings, and this knowledge and expertise is the sole responsibility of the builder.

END VIEWS		
22.3'x7.1' for Maine ACF		
SCALE 3/4"=1'	DES/DWN WAL	DATE 5/1/22
<b>Response Marine, Inc.</b>		REV
Newburyport, MA, <a href="http://www.responsemarine.com">www.responsemarine.com</a>		DWG NO. 622-1-5

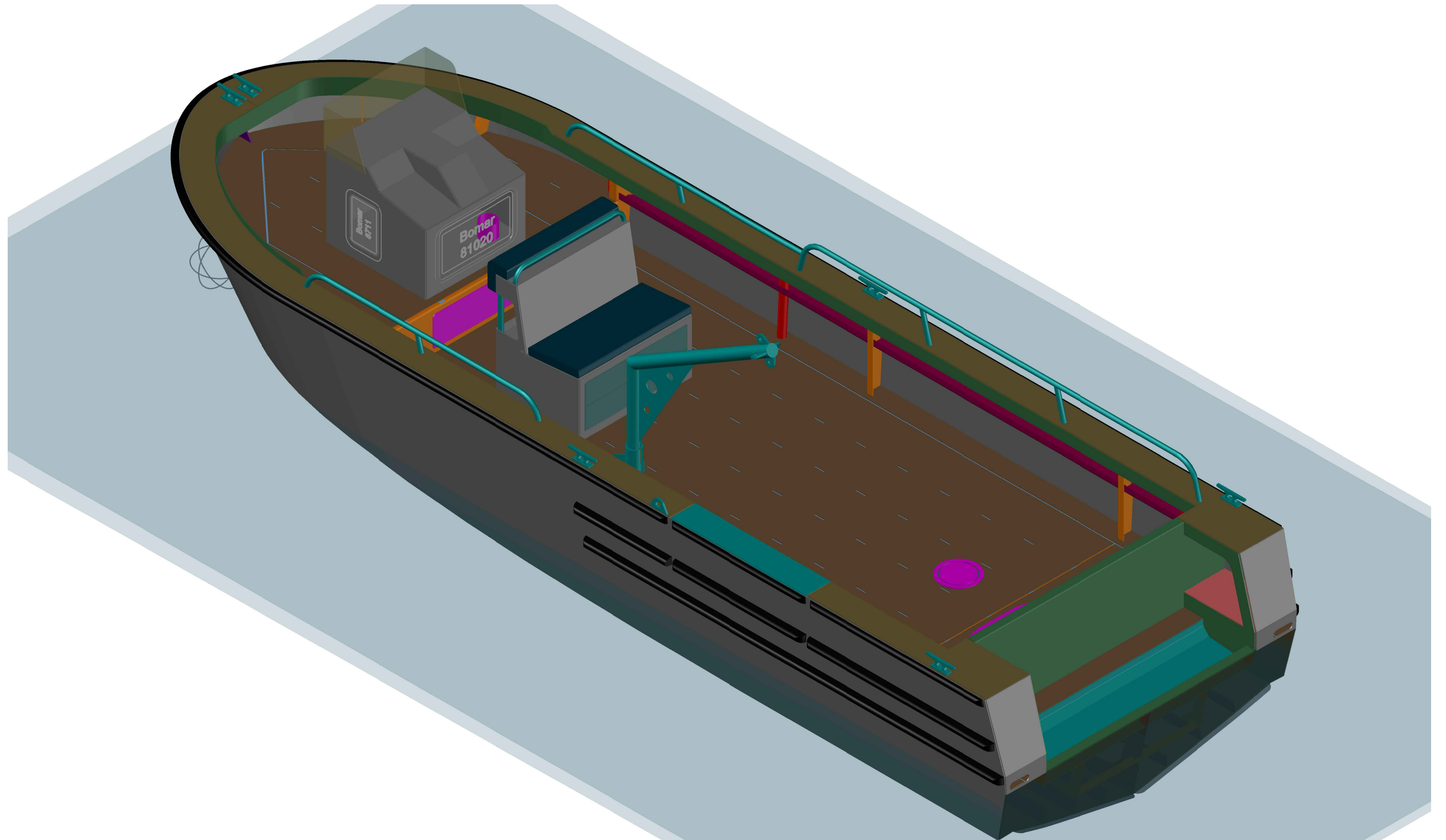
REV.	DESCRIPTION



INBD PROFILE.- Dims		
22.3'x7.1' for Maine ACF		
SCALE 1/2"=1'	DES/DWN WAL	DATE 5/16/22
<b>Response Marine, Inc.</b> Newburyport, MA, <a href="http://www.responsemarine.com">www.responsemarine.com</a>		REV DWG NO. 622-1-6

This drawing and referenced information represent the intellectual property of Response Marine, Inc. Use, reproduction, or transmittal of drawings and referenced NC part files requires pre-payment of licensing fee to Response Marine, Inc. Construction of each boat and component fabrication are licensed on a per boat basis, and require proof of payment for each unit built, prior to construction. Possession of this drawing and referenced information does not constitute the right to use. Proper boat construction and outfitting requires knowledge and expertise beyond the scope of this, and other, drawings, and this knowledge and expertise is the sole responsibility of the builder.

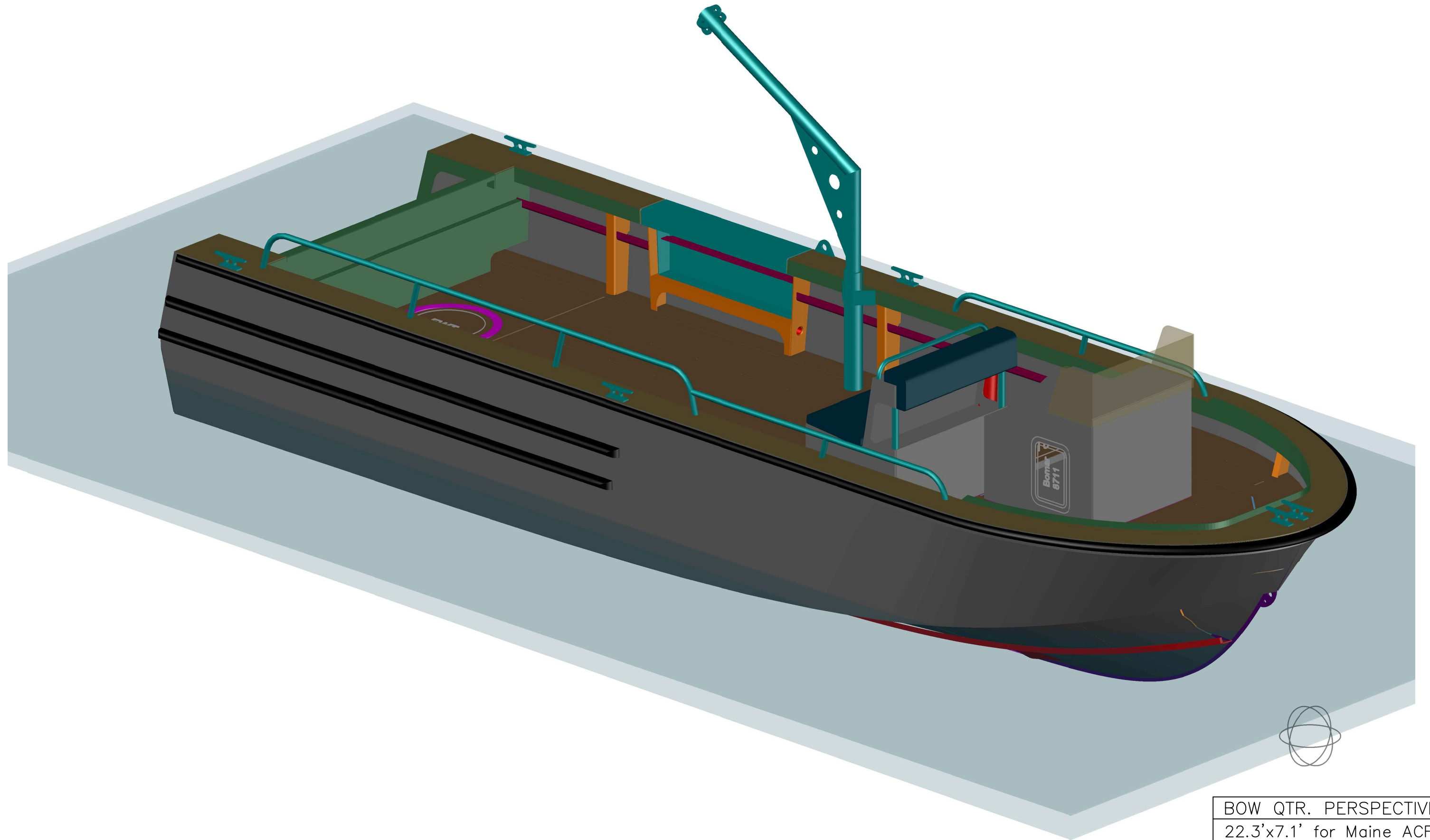
REV.	DESCRIPTION



STERN QTR. PERSPECTIVE		
22.3'x7.1' for Maine ACF		
SCALE	DES/DWN	DATE
NONE	WAL	5/1/22
<b>Response Marine, Inc.</b> Newburyport, MA, <a href="http://www.responsemarine.com">www.responsemarine.com</a>		REV DWG NO. 622-1-7

This drawing and referenced information represent the intellectual property of Response Marine, Inc. Use, reproduction, or transmittal of drawings and referenced NC part files requires pre-payment of licensing fee to Response Marine, Inc. Construction of each boat and component fabrication are licensed on a per boat basis, and require proof of payment for each unit built, prior to construction. Possession of this drawing and referenced information does not constitute the right to use. Proper boat construction and outfitting requires knowledge and expertise beyond the scope of this, and other, drawings, and this knowledge and expertise is the sole responsibility of the builder.

REV.	DESCRIPTION



This drawing and referenced information represent the intellectual property of Response Marine, Inc. Use, reproduction, or transmittal of drawings and referenced NC part files requires pre-payment of licensing fee to Response Marine, Inc. Construction of each boat and component fabrication are licensed on a per boat basis, and require proof of payment for each unit built, prior to construction. Possession of this drawing and referenced information does not constitute the right to use. Proper boat construction and outfitting requires knowledge and expertise beyond the scope of this, and other, drawings, and this knowledge and expertise is the sole responsibility of the builder.

REV.	DESCRIPTION

BOW QTR. PERSPECTIVE		
22.3'x7.1' for Maine ACF		
SCALE NONE	DES/DWN WAL	DATE 5/1/22
<b>Response Marine, Inc.</b> Newburyport, MA, <a href="http://www.responsemarine.com">www.responsemarine.com</a>		REV DWG NO. 622-1-8