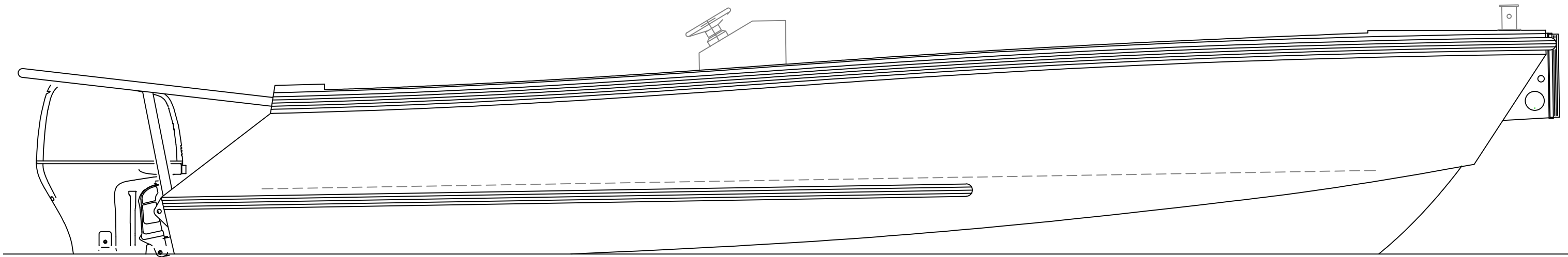


Hull Skin Dimensions: 28' x 10'2"

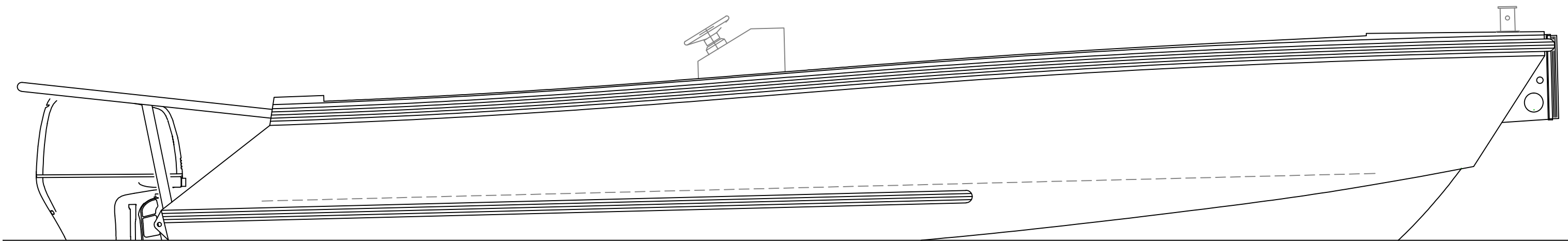
This drawing represents significant intellectual property of Response Marine, Inc. Reproduction of this drawing in any form, in whole or in part, including transmissions of any type, to third parties is forbidden without the prior written consent of Response Marine, Inc.

REV.	DESCRIPTION

PROFILE OUTBOARD VIEW		
SOUND MARINE 28X10		
SCALE 1/2"=1'	DES/DWN WAL/JCC	DATE 4/5/11
Response Marine, Inc. Newburyport, MA, www.responsemarine.com		REV DWG NO. 383-1



Waste Tank Empty



Waste Tank Full

This drawing represents significant intellectual property of Response Marine, Inc. Reproduction of this drawing in any form, in whole or in part, including transmissions of any type, to third parties is forbidden without the prior written consent of Response Marine, Inc.

REV.	DESCRIPTION

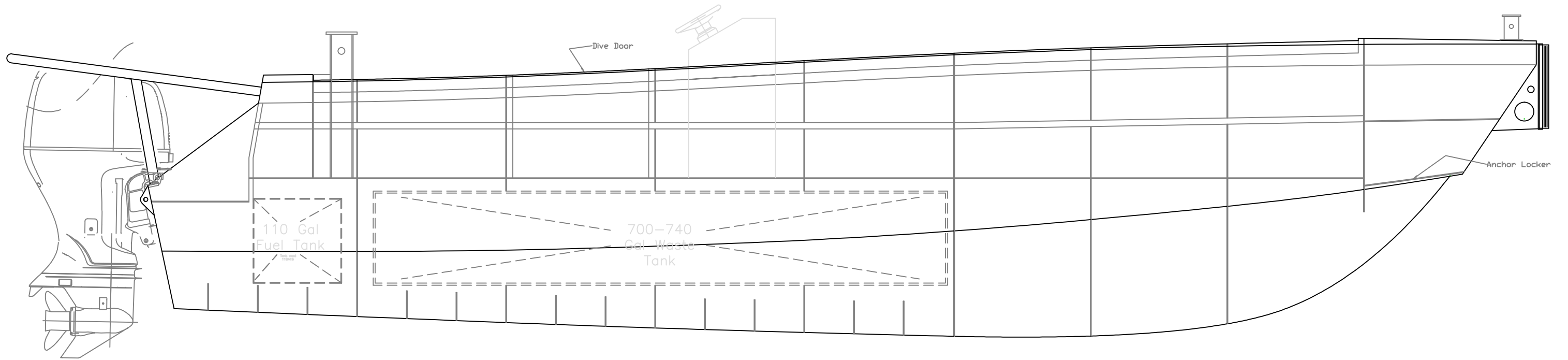
PROFILE WATERLINE VIEWS

SOUND MARINE 28X10

SCALE 1/2"=1'	DES/DWN WAL/JCC	DATE 4/5/11
------------------	--------------------	----------------

Response Marine, Inc.

Newburyport, MA, www.responsemarine.com	DWG NO. 383-2
---	------------------

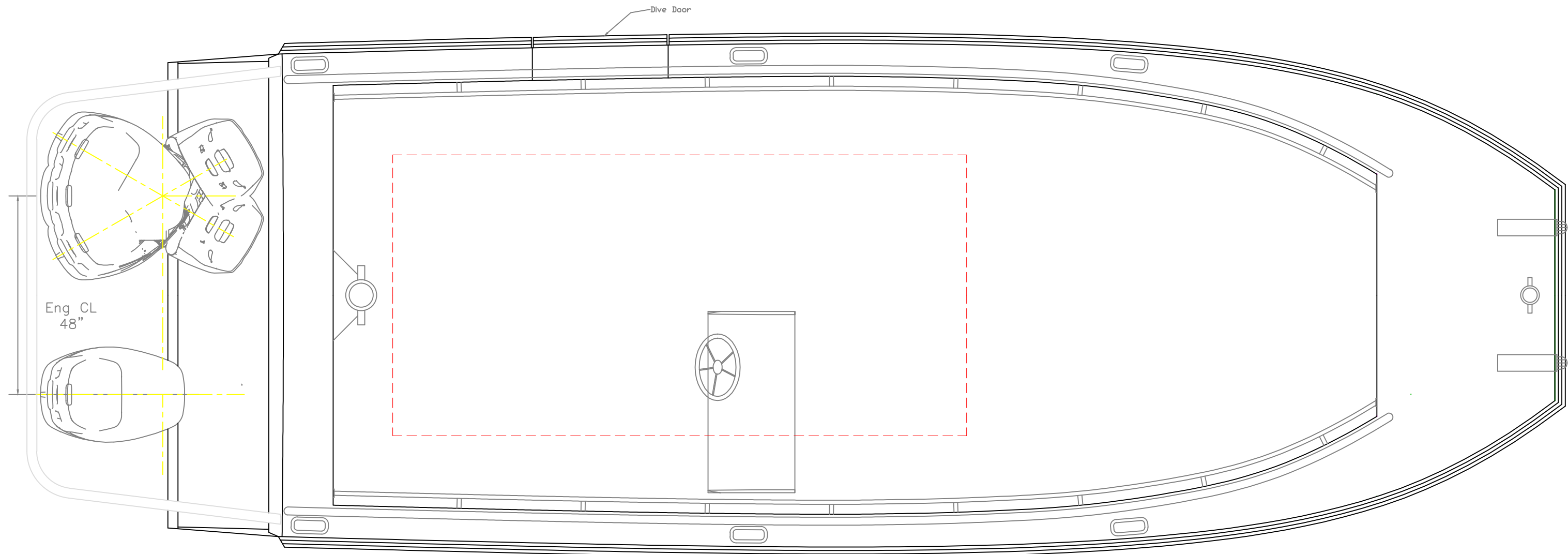


Hull Skin Dimensions: 28' x 10'2"

This drawing represents significant intellectual property of Response Marine, Inc. Reproduction of this drawing in any form, in whole or in part, including transmissions of any type, to third parties is forbidden without the prior written consent of Response Marine, Inc.

REV.	DESCRIPTION

PROFILE INBOARD VIEW		
SOUND MARINE 28X10		
SCALE 1/2"=1'	DES/DWN WAL/JCC	DATE 4/25/11
Response Marine, Inc. Newburyport, MA, www.responsemarine.com		REV DWG NO. 383-3



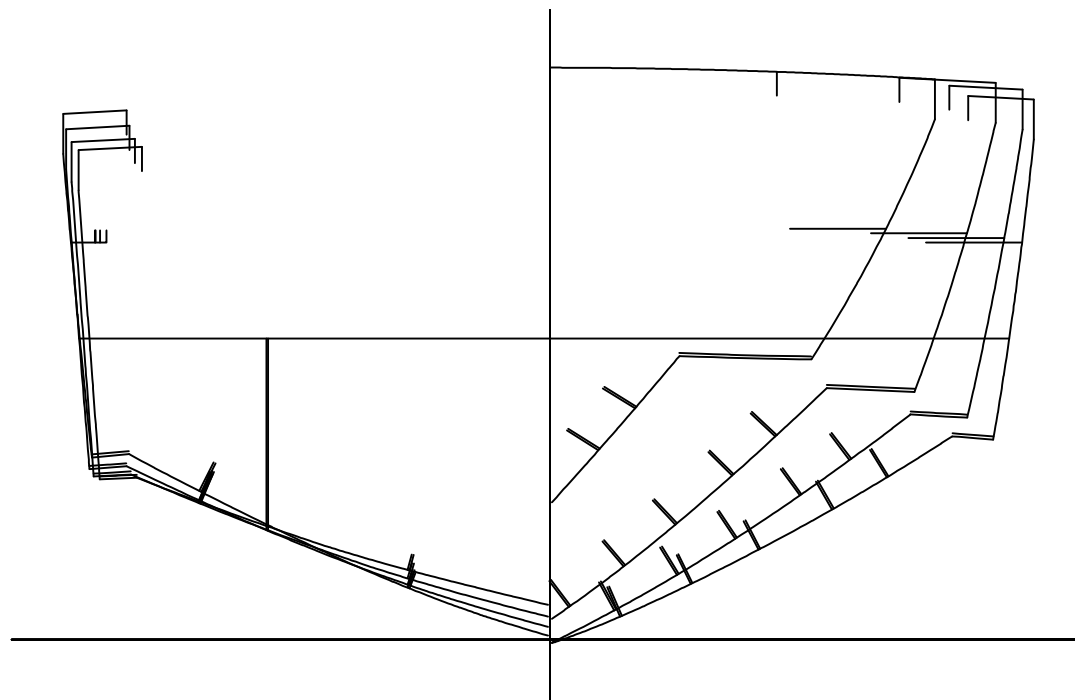
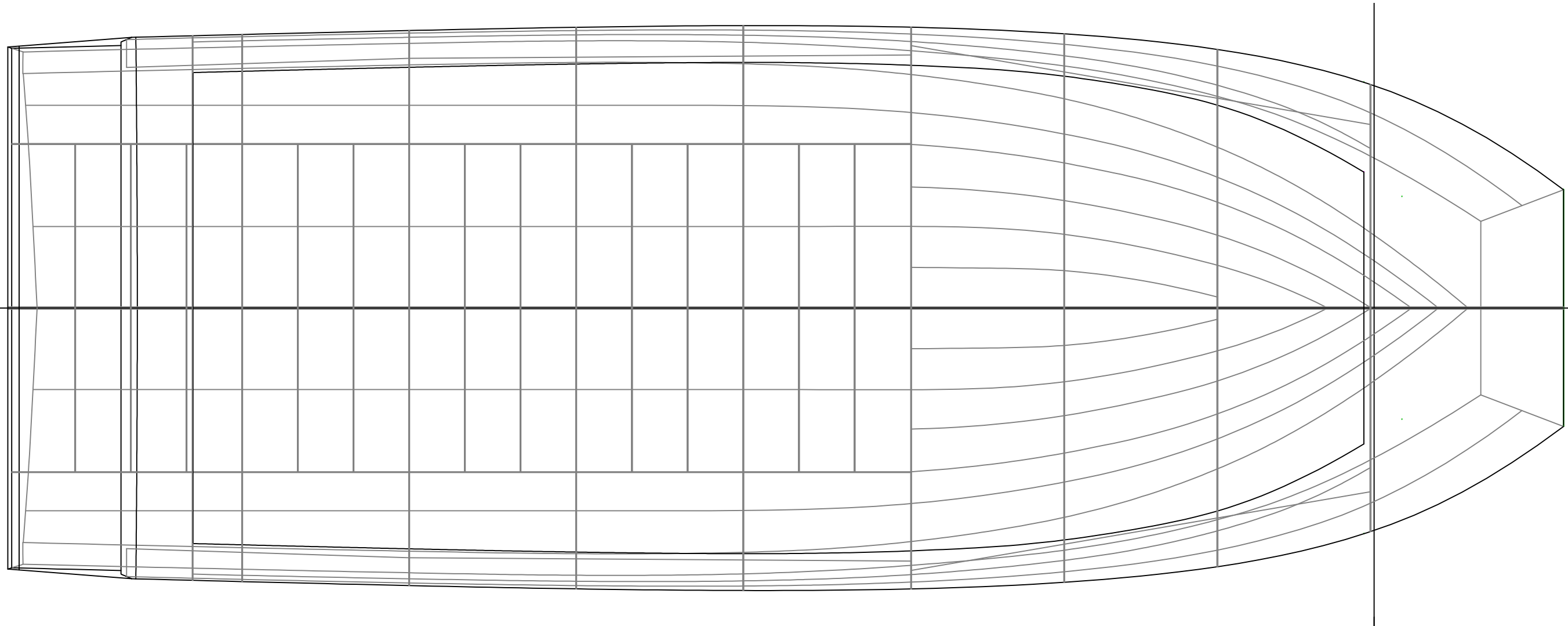
Eng CL
48"

Dive Door

This drawing represents significant intellectual property of Response Marine, Inc. Reproduction of this drawing in any form, in whole or in part, including transmissions of any type, to third parties is forbidden without the prior written consent of Response Marine, Inc.

REV.	DESCRIPTION

PLAN VIEW		
SOUND MARINE 28X10		
SCALE 1/2"=1'	DES/DWN WAL/JCC	DATE 4/5/11
Response Marine, Inc. Newburyport, MA, www.responsemarine.com		REV DWG NO. 383-4



This drawing represents significant intellectual property of Response Marine, Inc. Reproduction of this drawing in any form, in whole or in part, including transmissions of any type, to third parties is forbidden without the prior written consent of Response Marine, Inc.

REV.	DESCRIPTION

INBOARD PLAN & BODY VIEWS		
SOUND MARINE 28X10		
SCALE 1/2"=1'	DES/DWN WAL/JCC	DATE 4/5/11
Response Marine, Inc. Newburyport, MA, www.responsemarine.com		REV DWG NO. 383-5