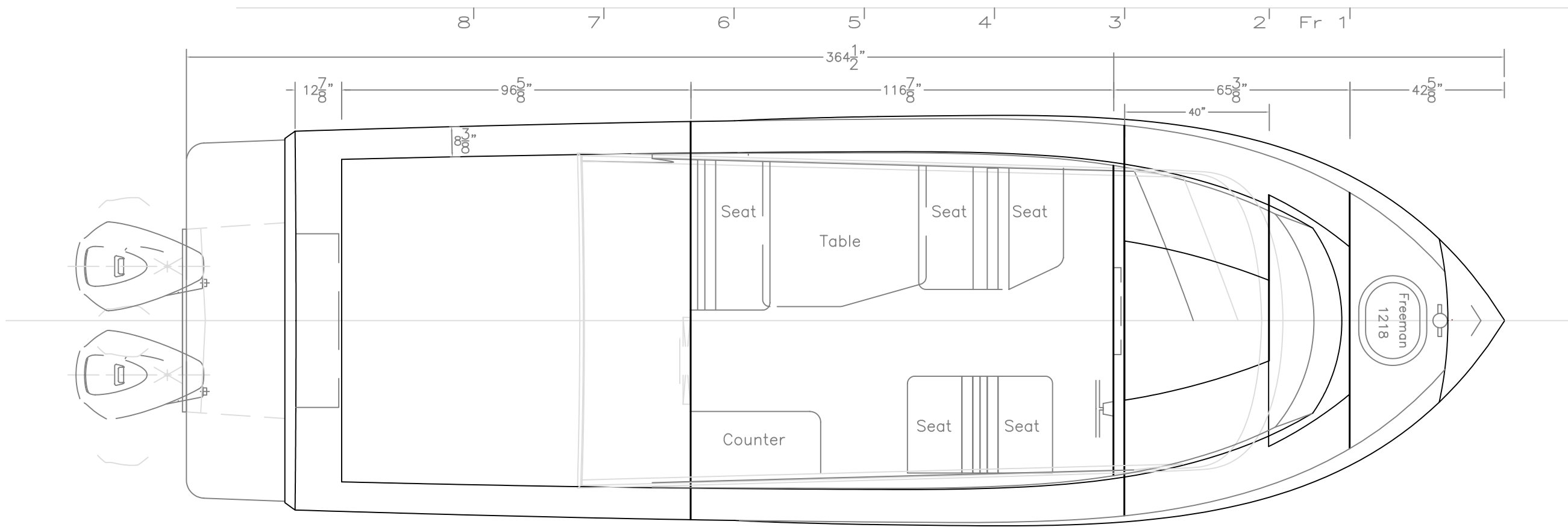


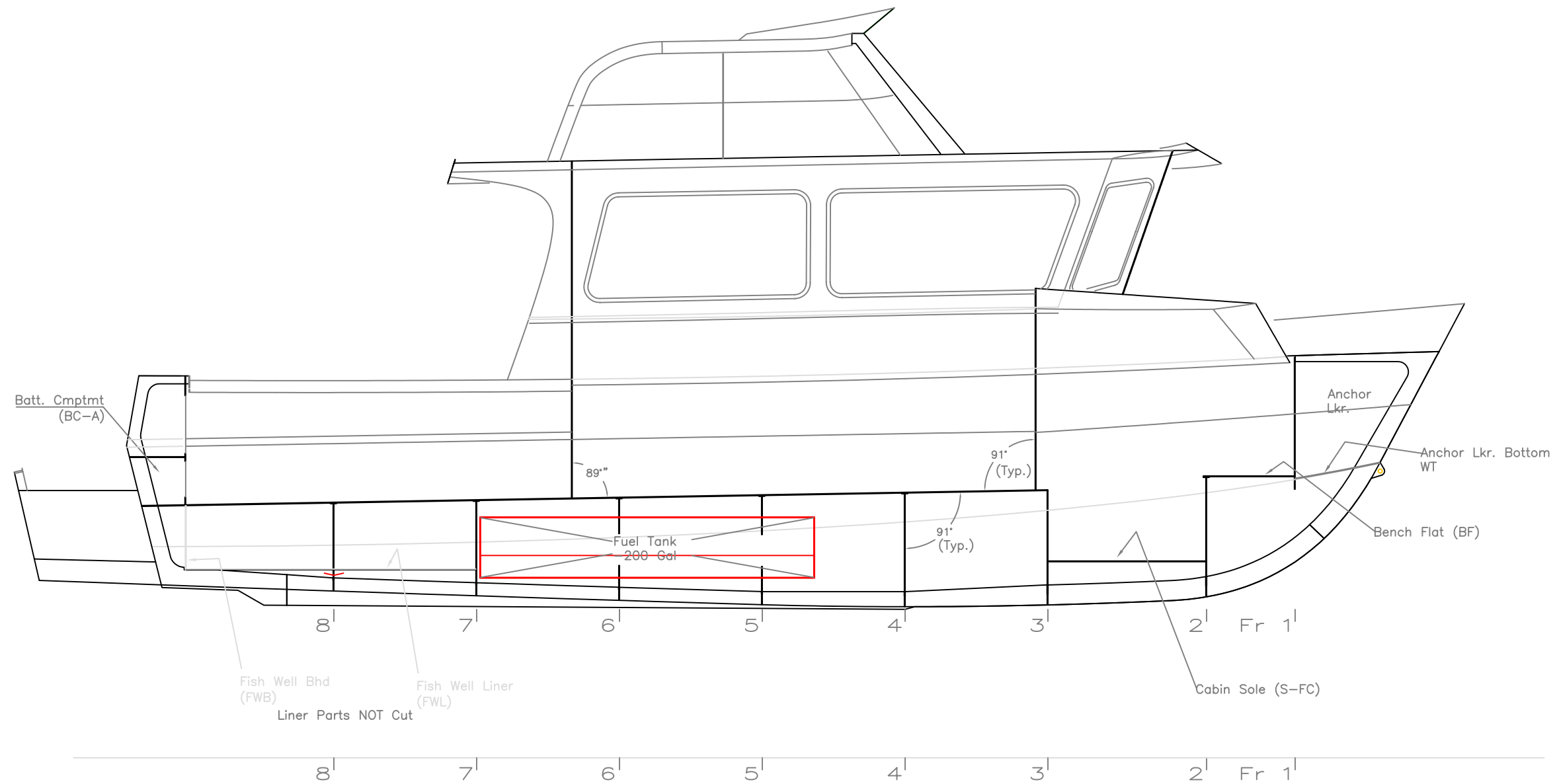
|                                  |                |                   |
|----------------------------------|----------------|-------------------|
| PROFILE & PLAN                   |                |                   |
| KRECAK 2896, 10' House           |                |                   |
| SCALE<br>3/8"=1'                 | DES/DWN<br>WAL | DATE<br>9/28/08   |
| REV.                             |                | DESCRIPTION       |
| Response Marine, Inc.            |                | SHEET             |
| Newport, MA www.responmarine.com |                | DWG NO.<br>317-01 |



|                        |                |                   |
|------------------------|----------------|-------------------|
| PLAN VIEW              |                |                   |
| KRECAK 2896, 10' House |                |                   |
| SCALE<br>3/8" = 1'     | DES/DWN<br>WAL | DATE<br>9/28/08   |
| SHEET                  |                | DWG NO.<br>317-02 |

| REV. | DESCRIPTION |
|------|-------------|
|      |             |

**Response Marine, Inc.**  
 Newburgport, MA www.responsemarine.com



|   |                |                 |
|---|----------------|-----------------|
| INBOARD PROFILE   |                |                 |
| KRECAK 2896, 10' House  |                |                 |
| SCALE<br>3/8" = 1'  | DES/DWN<br>WAL | DATE<br>10/2/08 |
| REV.  |                | SHEET           |
| DESCRIPTION   |                | DWG NO. 317-03  |
| <b>Response Marine, Inc.</b><br><small>Newington, MA www.responsemarine.com</small> |                |                 |