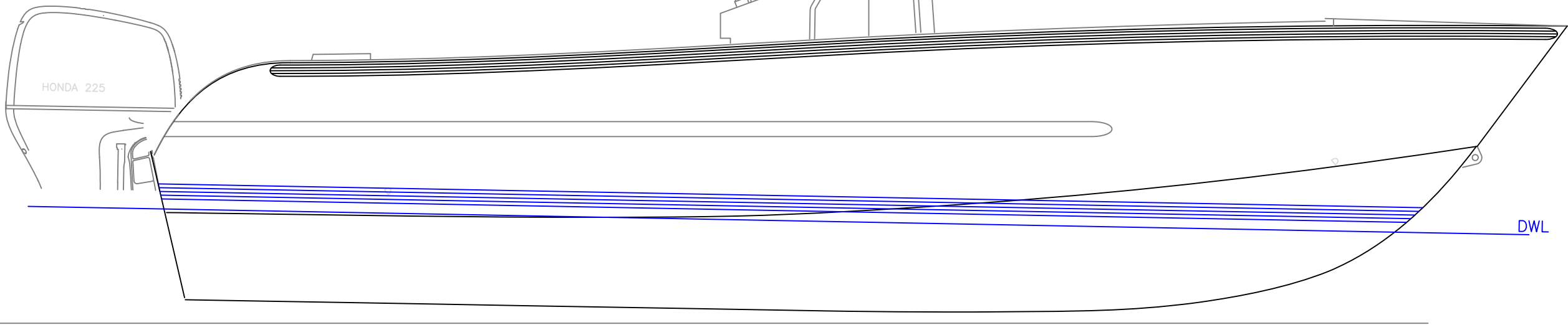
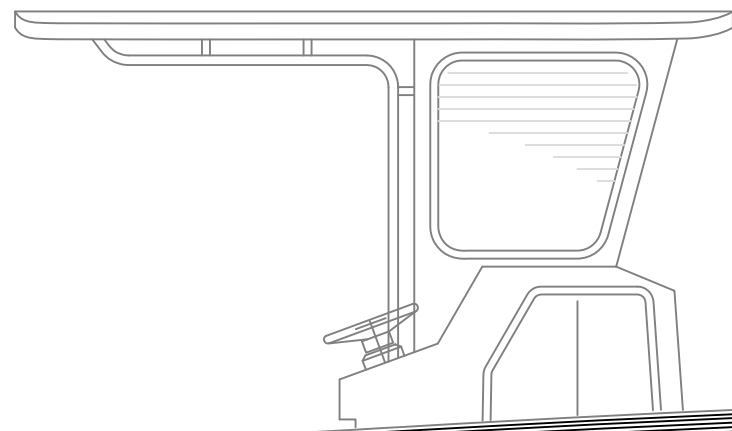
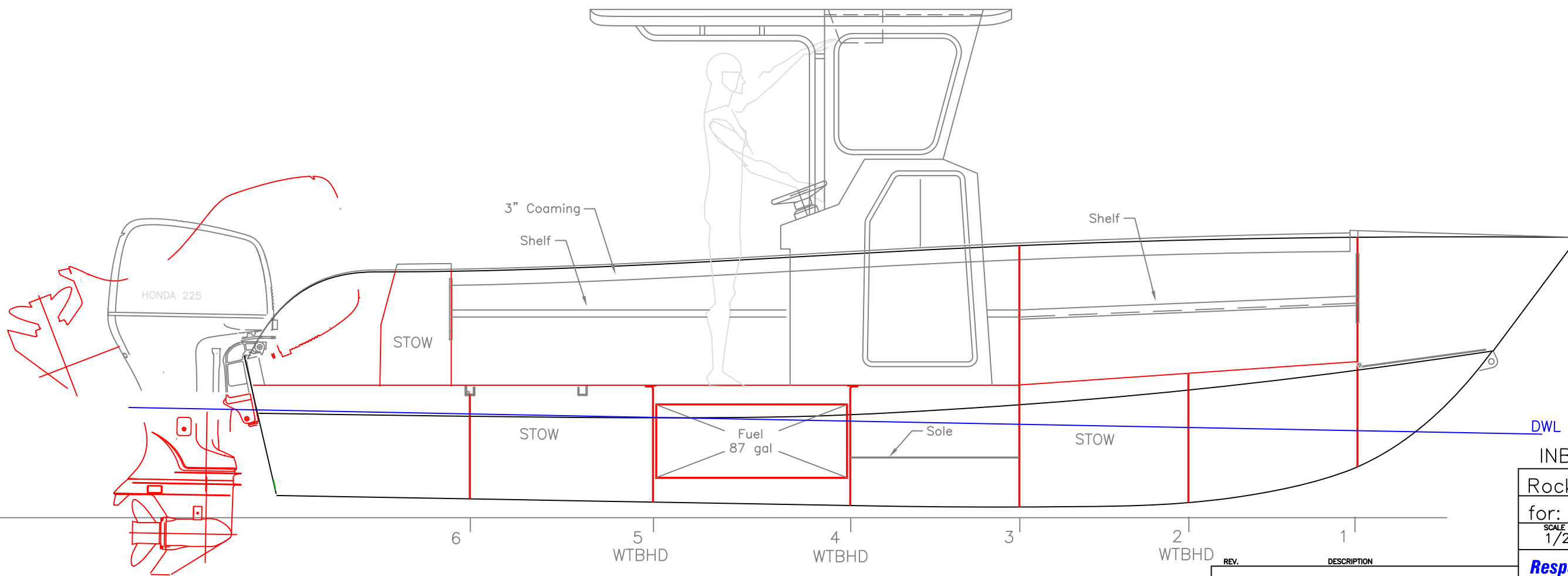
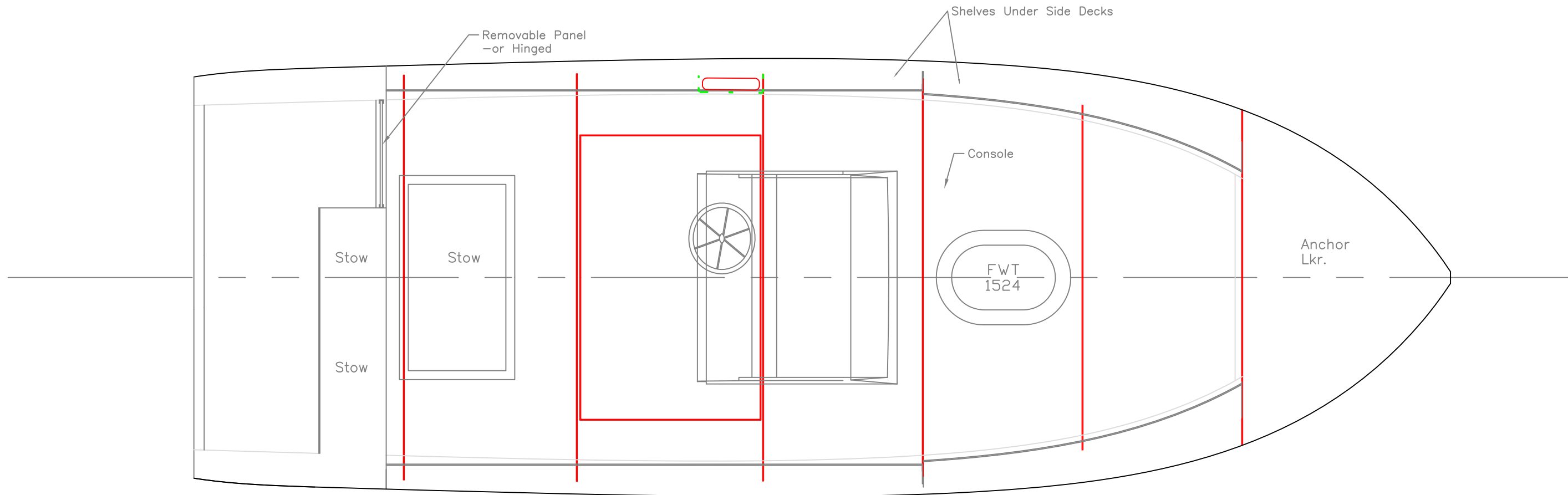


PARTICULARS~	
Hull LOA;	23' 9"
Hull Beam;	8' 3½"
Draft;	1' 7"
Displacement;	5,250 lbs. (Normal Operating)



OUTBOARD PLAN & PROFILE		
Rock Salt 24		
for: Sound Marine		
SCALE 1/2" = 1'	DES/DWN WAL/JCC	DATE 4/28/14
Response Marine, Inc. Newburyport, MA, www.responsemarine.com		SHEET DWG. NO. 473-1

REV. DESCRIPTION



INBOARD PLAN & PROFILE

Rock Salt 24

for: Sound Marine

SCALE 1/2" = 1'	DES/DWN WAL/JCC	DATE 4/28/14
Response Marine, Inc. Newburyport, MA, www.responsemarine.com		SHEET DWG. NO. 473-2