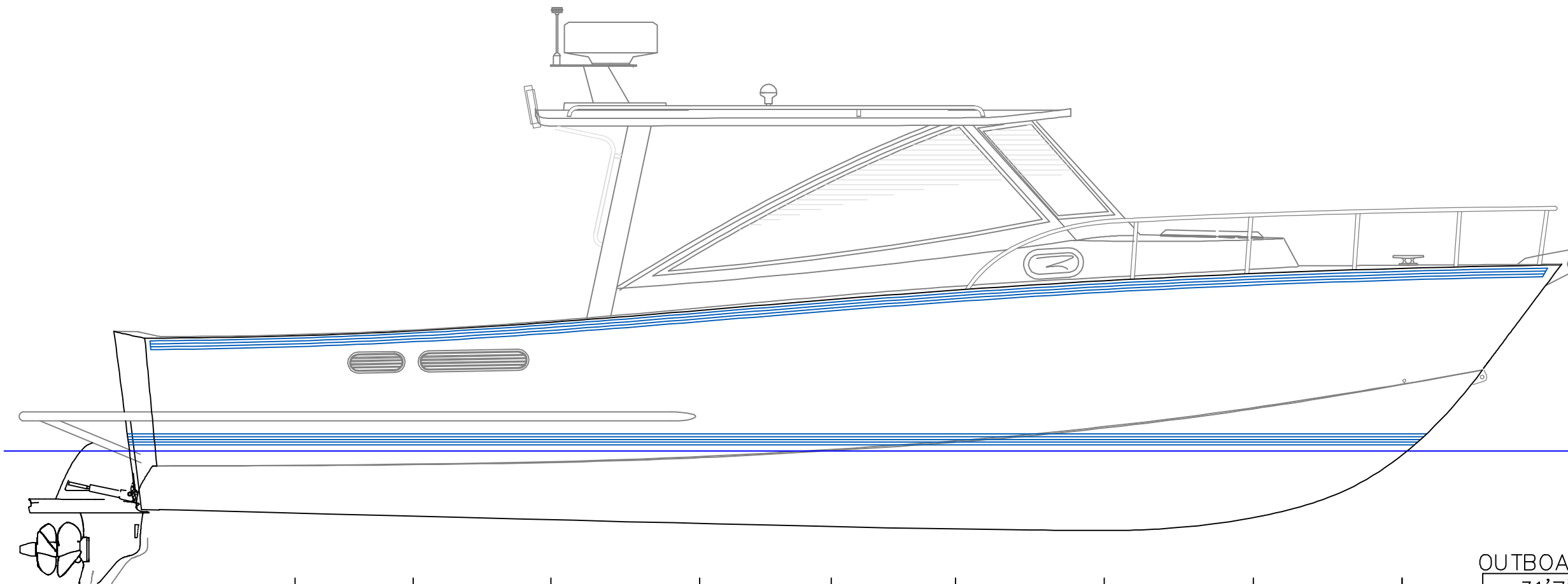
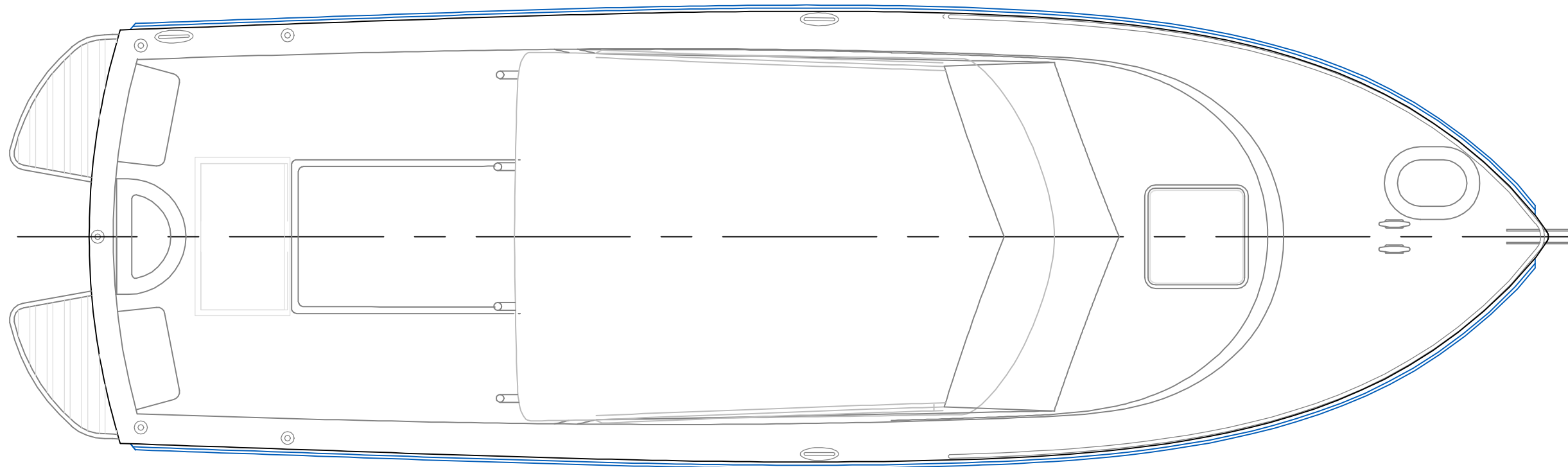


DRAWING LIST

<b>Delivered</b>	<b>Design Design</b>	<b>Dwg</b>	<b>Description</b>	<b>Customer</b>	<b>Date</b>
1/25/07	274 -1		31'7" Outboard Views	Ken Koelling	1/23/07
1/25/07	-2		31'7" Inboard Views		1/23/07
1/25/07	-3		31'7" End Views		1/24/07
1/25/07	2-1		Keel Layout		1/9/07
1/25/07	2-2		Bottom Framing		1/9/07
1/25/07	2-3		Topside Framing		1/9/07
1/25/07	2-4		Hull Plates		1/18/07
1/25/07	2-5		Engine Girders		1/16/07
1/25/07	2-6		Side & Fore Decks		1/9/07
1/25/07	2-7		Cockpit Margin Deck		1/9/07
1/25/07	2-8		Deck Hatch Gutters		1/18/07
1/25/07	2-9		Cockpit Deck Body & Framing		1/9/07
1/25/07	2-10		Bow Cone & Anchor Locker Bottom		1/22/07
1/25/07	2-11		Transom		1/18/07
1/25/07	2-12		Transom Tombstone		1/18/07
1/25/07	2-13		Thruster Tube		1/23/07
1/25/07	2-14		Thruster Tube Pattern		1/23/07
1/25/07	3-1		Fuel Tank		1/19/07
1/25/07	3-2		Engine Vents		1/22/07
1/25/07	3-3		Engine Vent Framing & Covers		1/22/07
1/25/07	4-1		Cabin Sides		1/9/07
1/25/07	4-2		Trunk Roof Parts		1/9/07
1/25/07	4-3		Trunk Roof Structure		1/9/07
1/25/07	4-4		Windshield Parts		1/15/07
1/25/07	4-5		Roof Parts		1/9/07
1/25/07	4-6		Roof Structural Profile		1/9/07
1/25/07	4-7		Section at Roof Beam/Stanchions		1/9/07
1/25/07	4-8		Side Window Panel Cap		1/12/07
1/25/07	7-1		Fwd Berth Flat		1/18/07
1/25/07	7-2		Engine Box		1/23/07
1/25/07	7-3		Seat Box		1/23/07
1/25/07	7-4		Transom Platform		1/24/07
1/25/07	F-R		Frame Dimensions		1/23/07
1/25/07	F-1		Frame 1		1/10/07
1/25/07	F-2		Frame 2		1/10/07
1/25/07	F-3		Frame 3		1/10/07
1/25/07	F-4		Frame 4		1/11/07
1/25/07	F-5		Frame 5		1/10/07
1/25/07	F-6		Frame 6		1/10/07
1/25/07	F-7		Frame 7		1/18/07
1/25/07	F-8		Frame 8		1/18/07
1/25/07	F-9		Frame 9		1/18/07
1/25/07	Sheet		List of Abbreviations		1/25/07
1/25/07	Sheet		Parts List		1/25/07
	Sheet		Stock List		



9                      8                      7                      6                      5                      4                      3                      2                      Frames 1  
 WTBD                      WTBD                      WTBD                      WTBD                      WTBD                      WTBD

**OUTBOARD PLAN & PROFILE**

31'7" Fish/Cruise  
 For: Ken Koelling

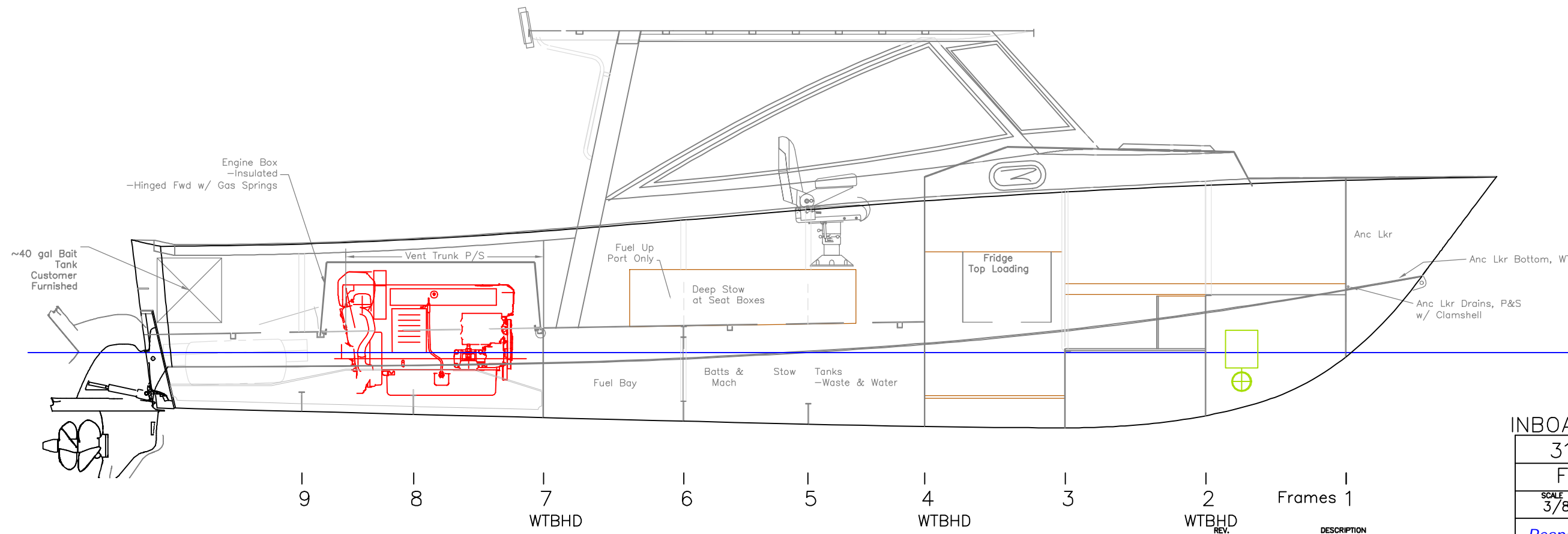
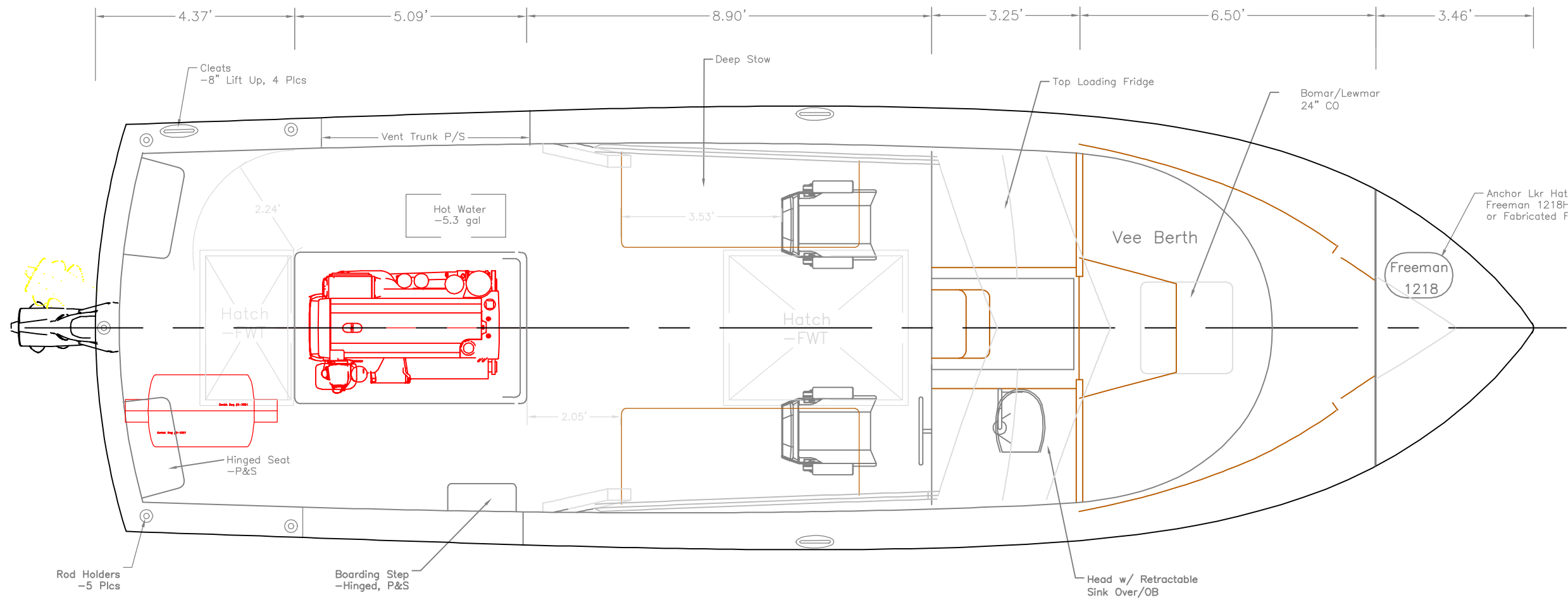
SCALE 3/8" = 1'	DES/DWN WAL	DATE 1/23/07
--------------------	----------------	-----------------

*Response Marine, Inc.*

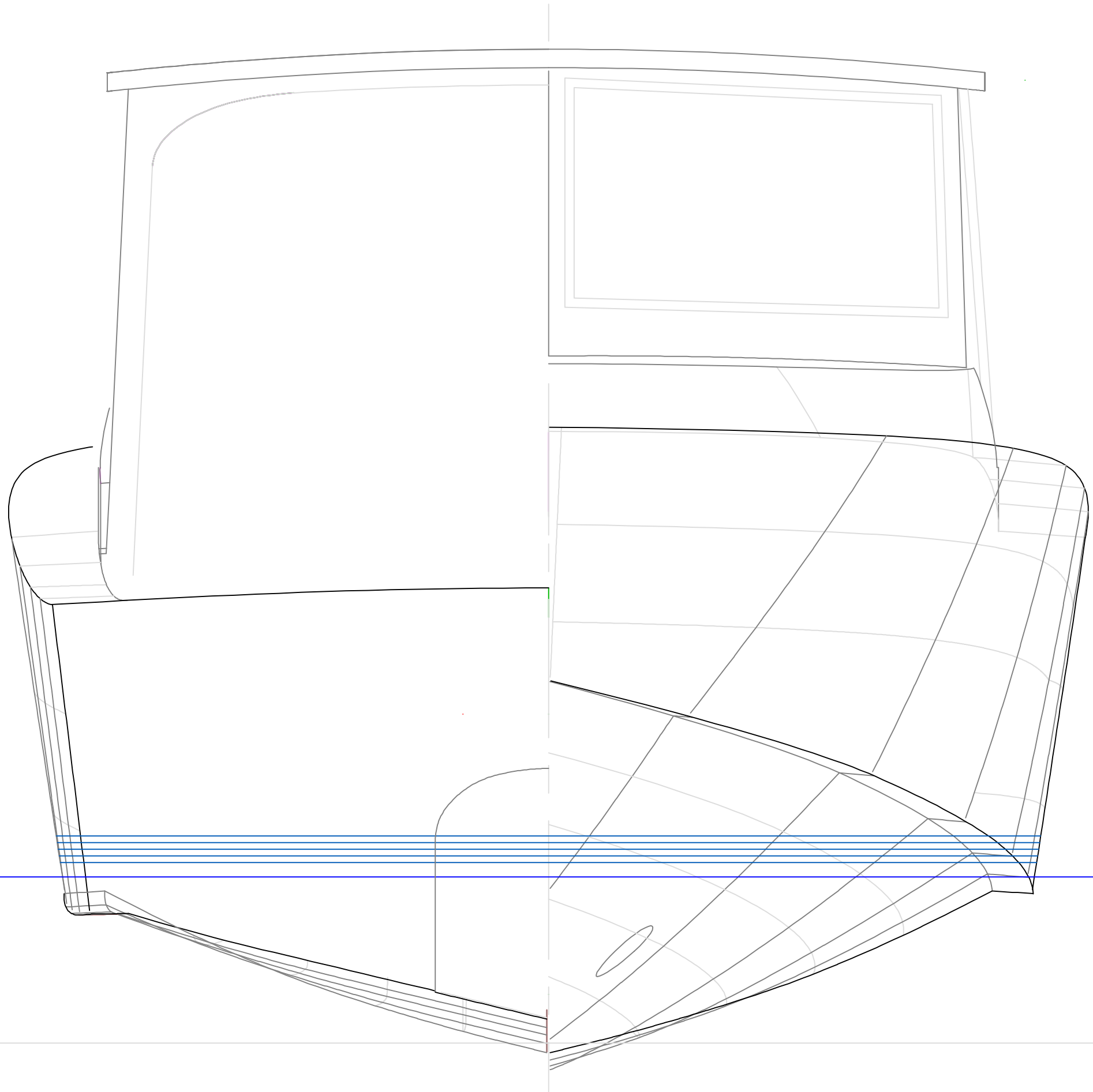
Newburyport, MA, [www.responsemarine.com](http://www.responsemarine.com)

SHEET	DWG NO. 274-01
-------	-------------------

REV.	DESCRIPTION



INBOARD PLAN & PROFILE		
31' 7" Fish/Cruise		
For: Ken Koelling		
SCALE 3/8" = 1'	DES/DWN WAL	DATE 1/23/07
Response Marine, Inc.		SHEET
Newburyport, MA, www.responsemarine.com		DWG NO. 274-02



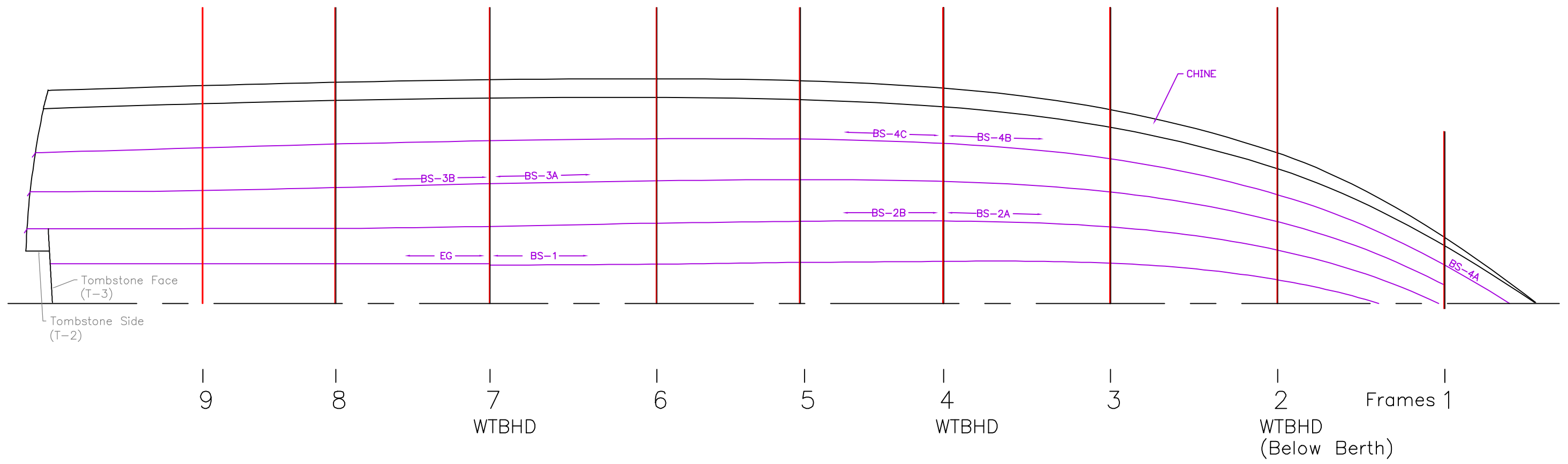
END VIEWS

31' 7" Fish/Cruise  
 For: Ken Koelling

SCALE 1" = 1'	DES/DWN WAL	DATE 1/24/07
------------------	----------------	-----------------

Response Marine, Inc.		SHEET
Newburyport, MA, <a href="http://www.responsemarine.com">www.responsemarine.com</a>		DWG NO. 274-03

REV.	DESCRIPTION



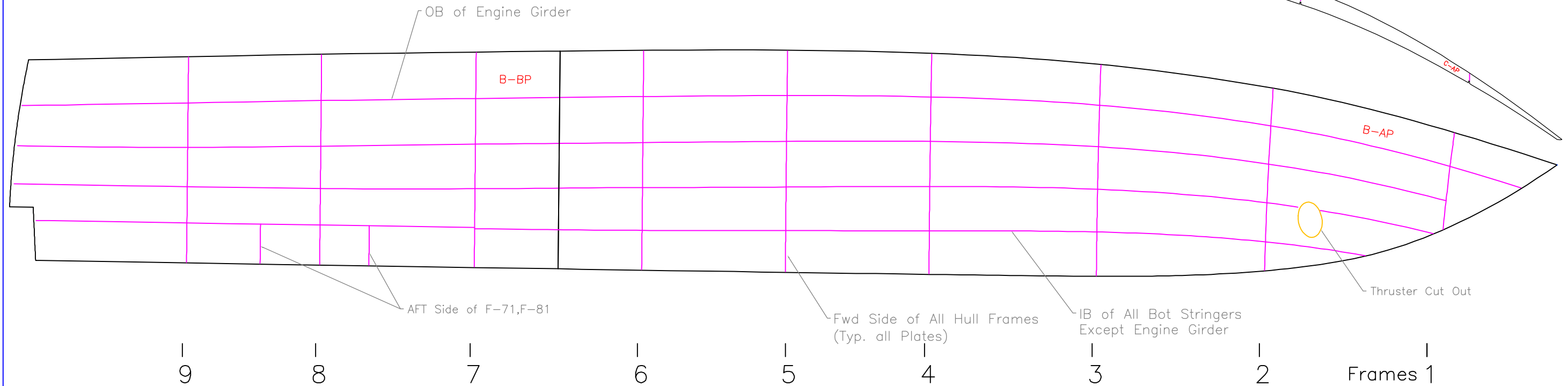
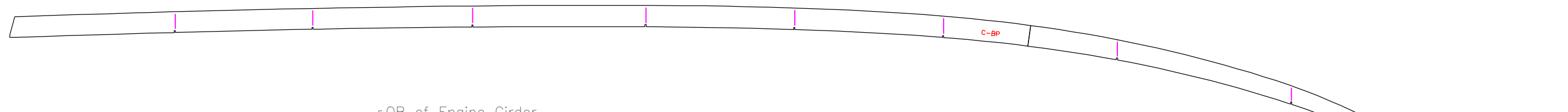
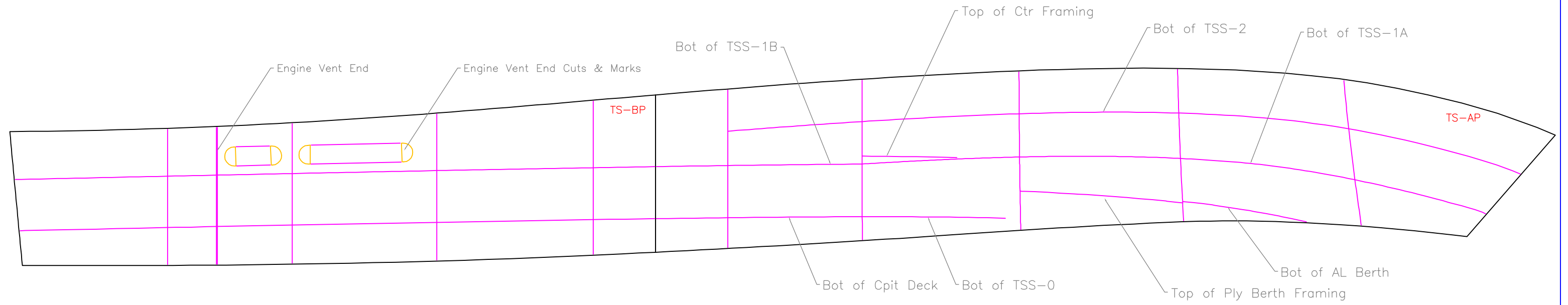
BOTTOM FRAMING

31' 7" Fish/Cruise  
 For: Ken Koelling

SCALE 1/2" = 1'	DES/DWN WAL	DATE 1/9/07
--------------------	----------------	----------------

Response Marine, Inc.		SHEET
Newburyport, MA, <a href="http://www.responsemarine.com">www.responsemarine.com</a>	DWG NO. 274-2-2	

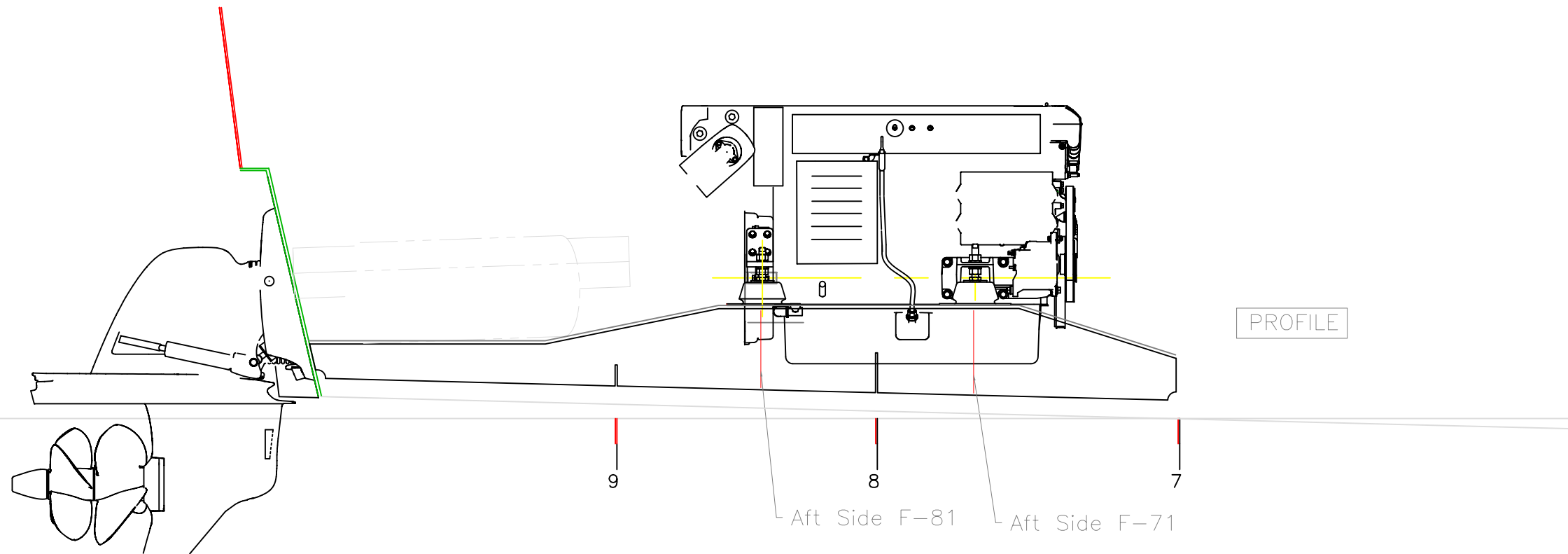
REV.	DESCRIPTION



HULL PLATES

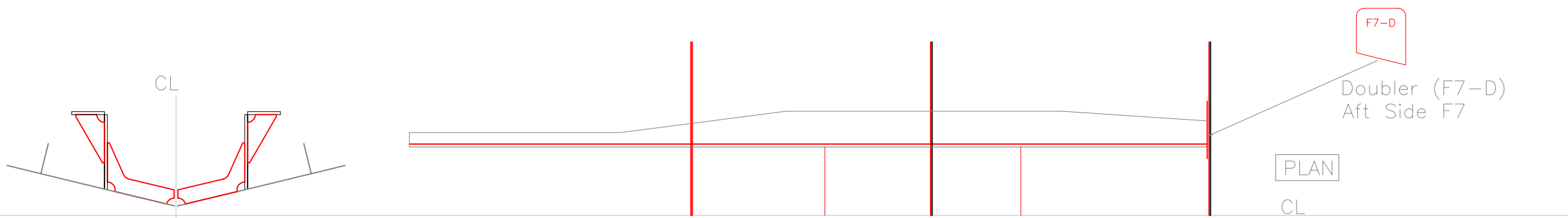
31' 7" Fish/Cruise		
For: Ken Koelling		
SCALE 1/2" = 1'	DES/DWN WAL	DATE 1/18/07
Response Marine, Inc.		SHEET
Newburyport, MA, www.responsemarine.com		DWG NO. 274-2-4

REV.	DESCRIPTION



PROFILE

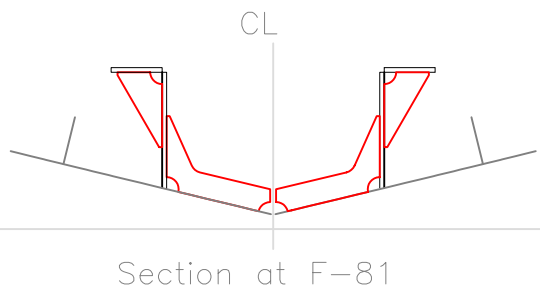
Aft Side F-81    Aft Side F-71



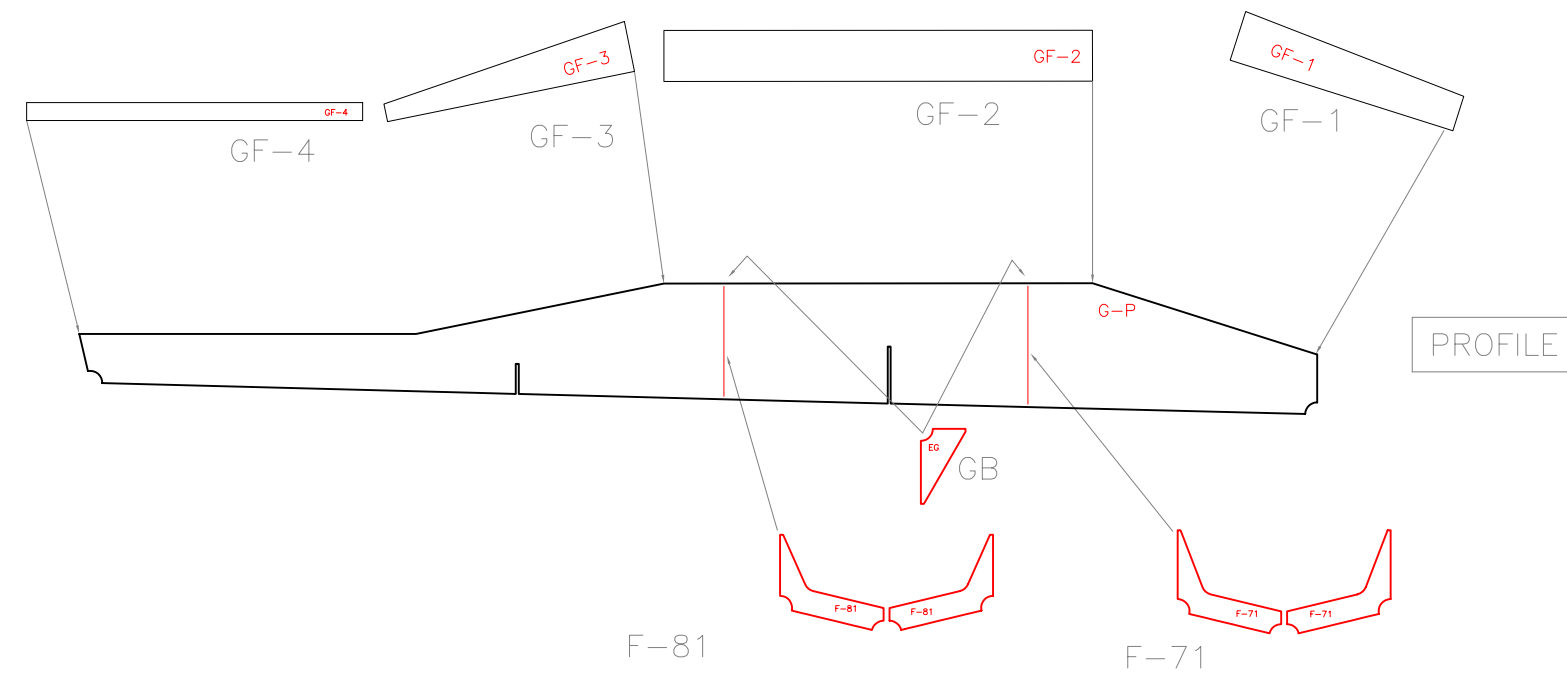
PLAN

CL

F7-D  
Doubler (F7-D)  
Aft Side F7



Section at F-81



PROFILE

F-81

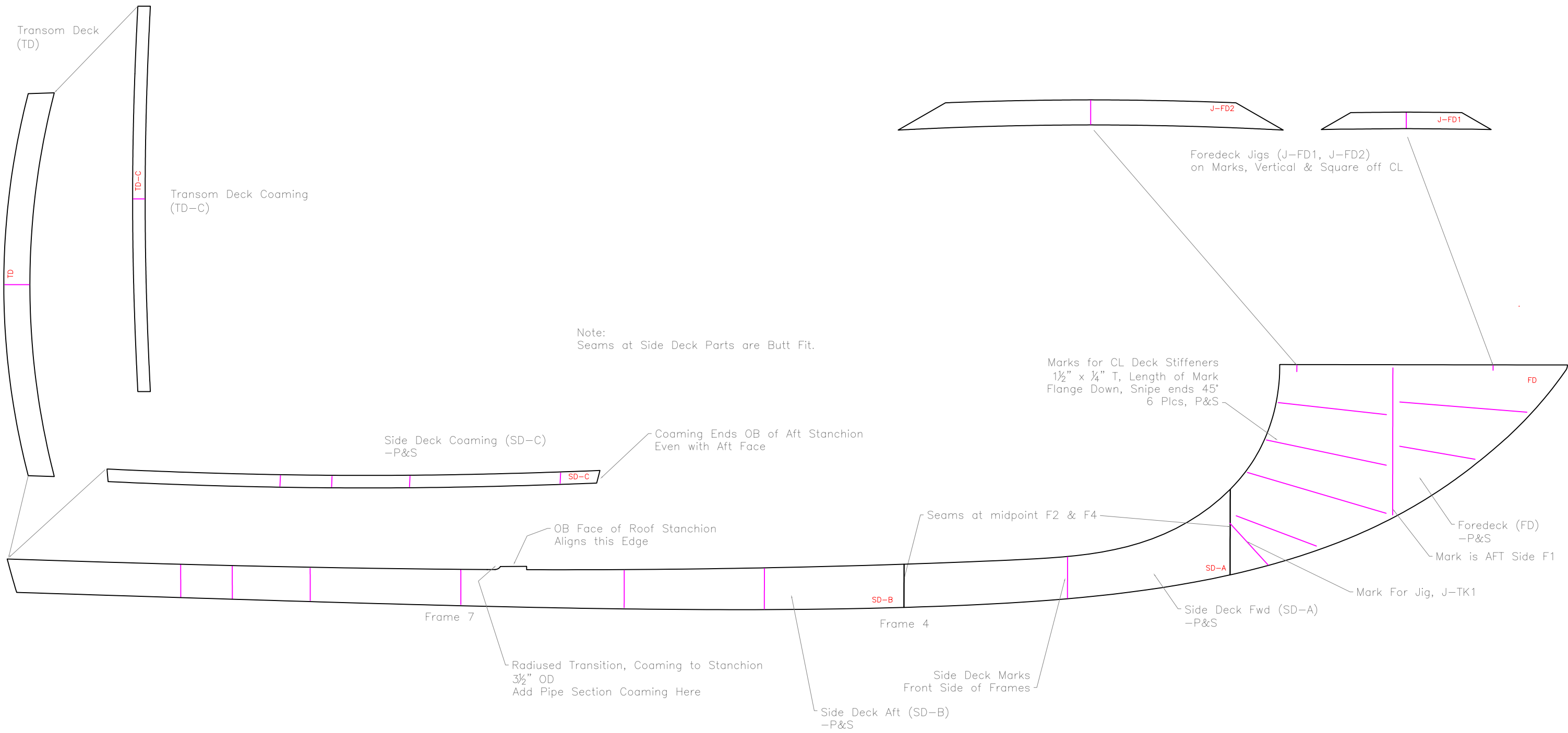
F-71

ENGINE GIRDERS  
31' 7" Fish/Cruise  
For: Ken Koelling

SCALE 3/4" = 1'	DES/DWN WAL	DATE 1/16/07
--------------------	----------------	-----------------

<b>Response Marine, Inc.</b>		SHEET
Newburyport, MA, www.responsemarine.com		DWG NO. 274-2-5

REV.	DESCRIPTION



SIDE & FORE DECKS

31' 7" Fish/Cruise

For: Ken Koelling

SCALE 1/2" = 1'	DES/DWN WAL	DATE 1/9/07
--------------------	----------------	----------------

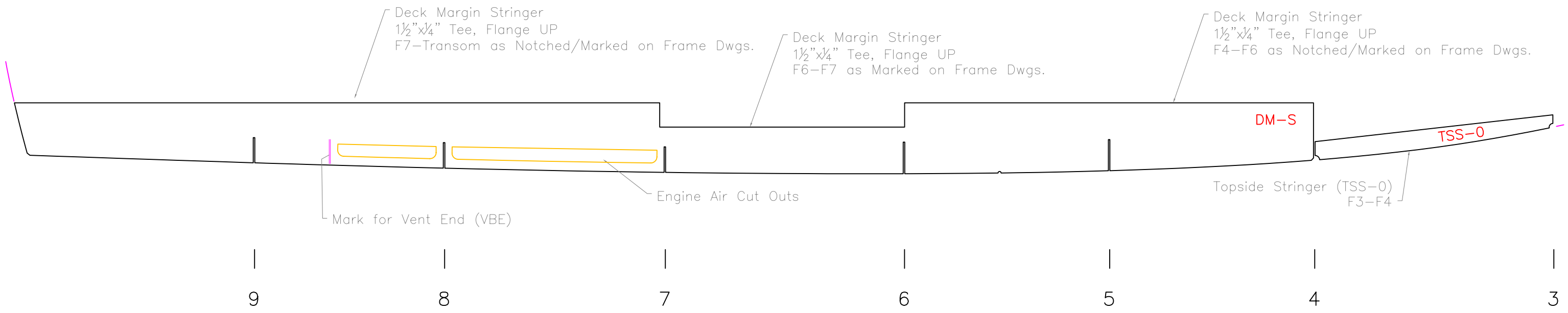
<b>Response Marine, Inc.</b>		SHEET
Newburyport, MA, www.responsemarine.com		DWG NO. 274-2-6

REV.	DESCRIPTION



← Fuel Bay →

PLAN VIEW



COCKPIT MARGIN DECK

31' 7" Fish/Cruise

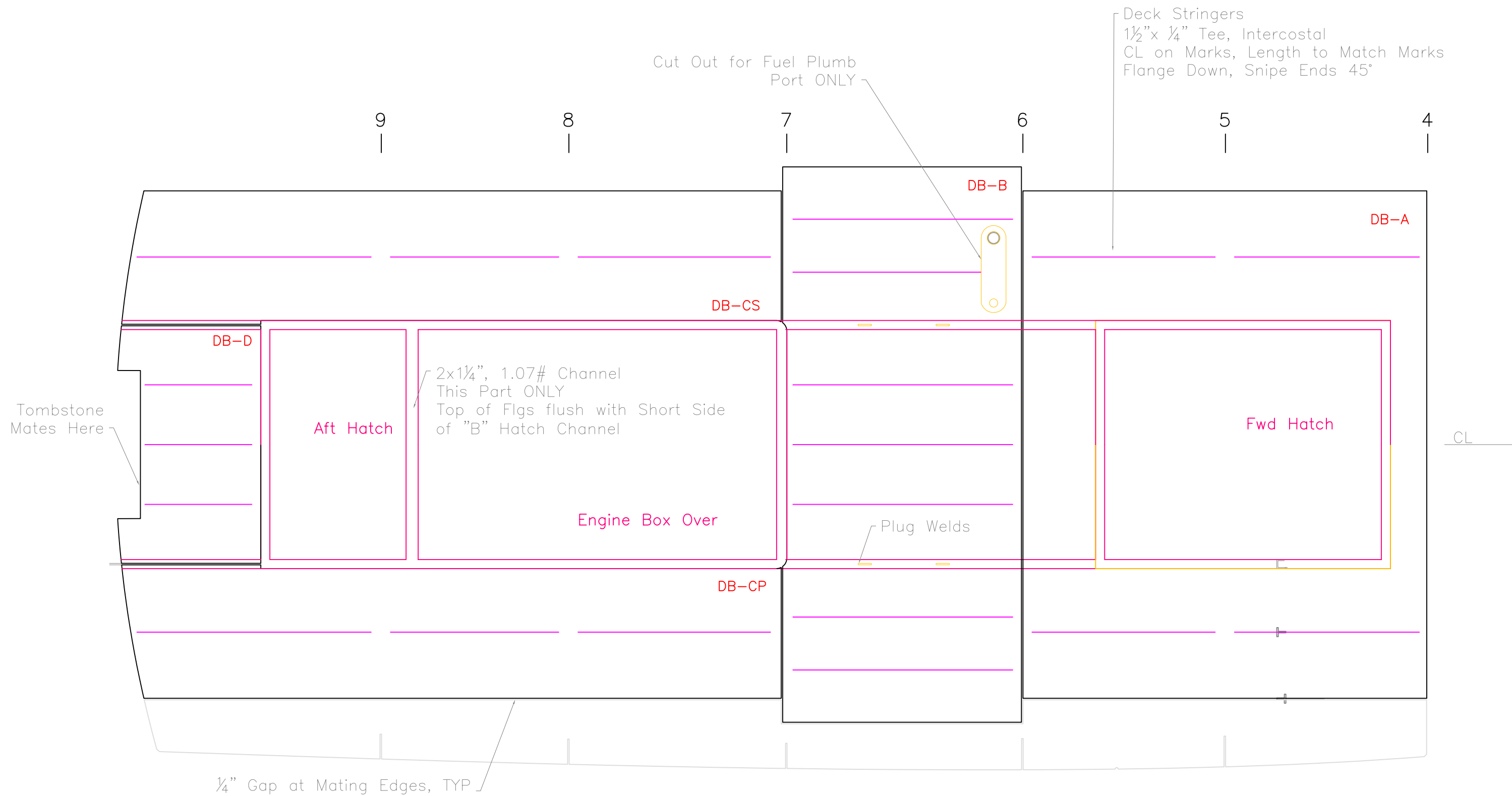
For: Ken Koelling

SCALE 3/4" = 1'	DES/DWN WAL	DATE 1/9/07
--------------------	----------------	----------------

<b>Response Marine, Inc.</b>	SHEET
------------------------------	-------

Newburyport, MA, <a href="http://www.responsemarine.com">www.responsemarine.com</a>	DWG NO. 274-2-7
---	--------------------

REV.	DESCRIPTION



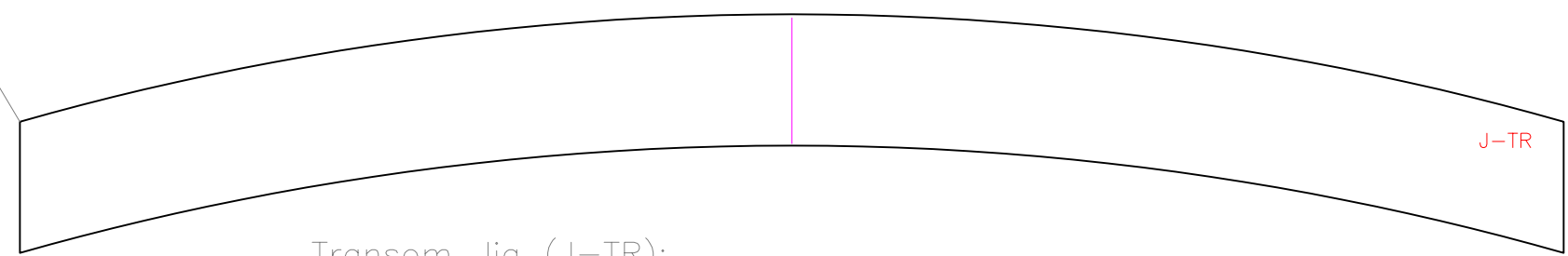
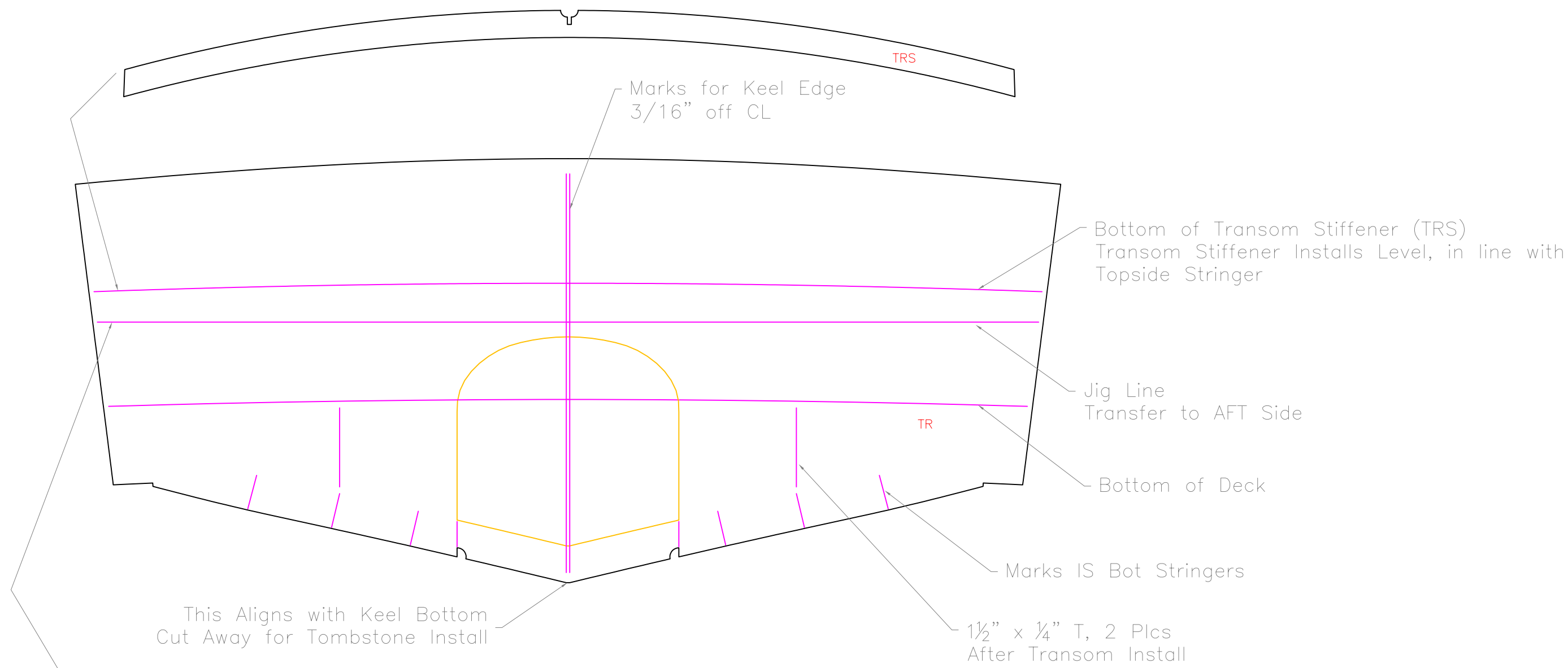
COCKPIT DECK BODY & FRAMING

31' 7" Fish/Cruise  
 For: Ken Koelling

SCALE 3/4" = 1'	DES/DWN WAL	DATE 1/9/07
--------------------	----------------	----------------

<b>Response Marine, Inc.</b> Newburyport, MA, www.responsemarine.com	SHEET DWG NO. 274-2-9
---	-----------------------------

REV.	DESCRIPTION



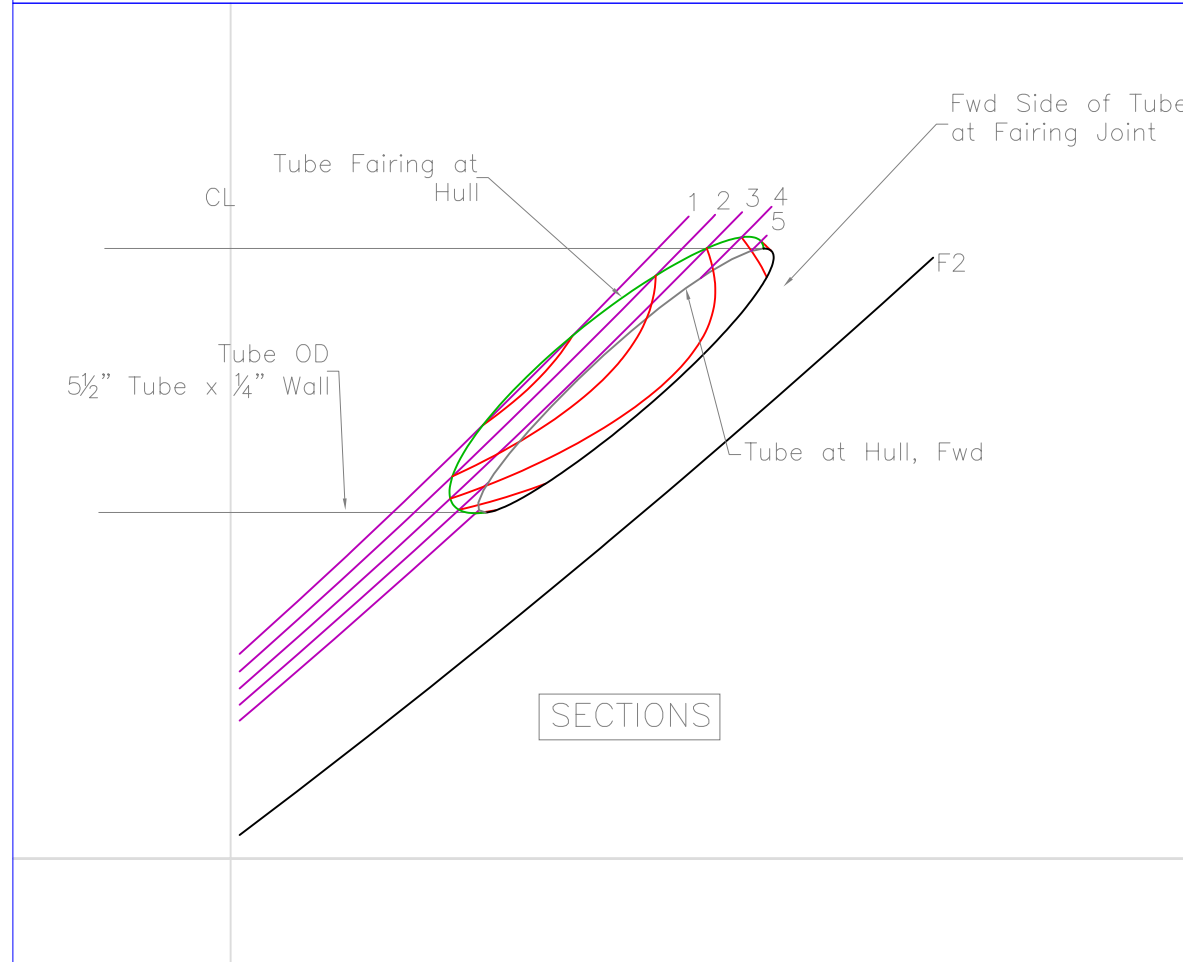
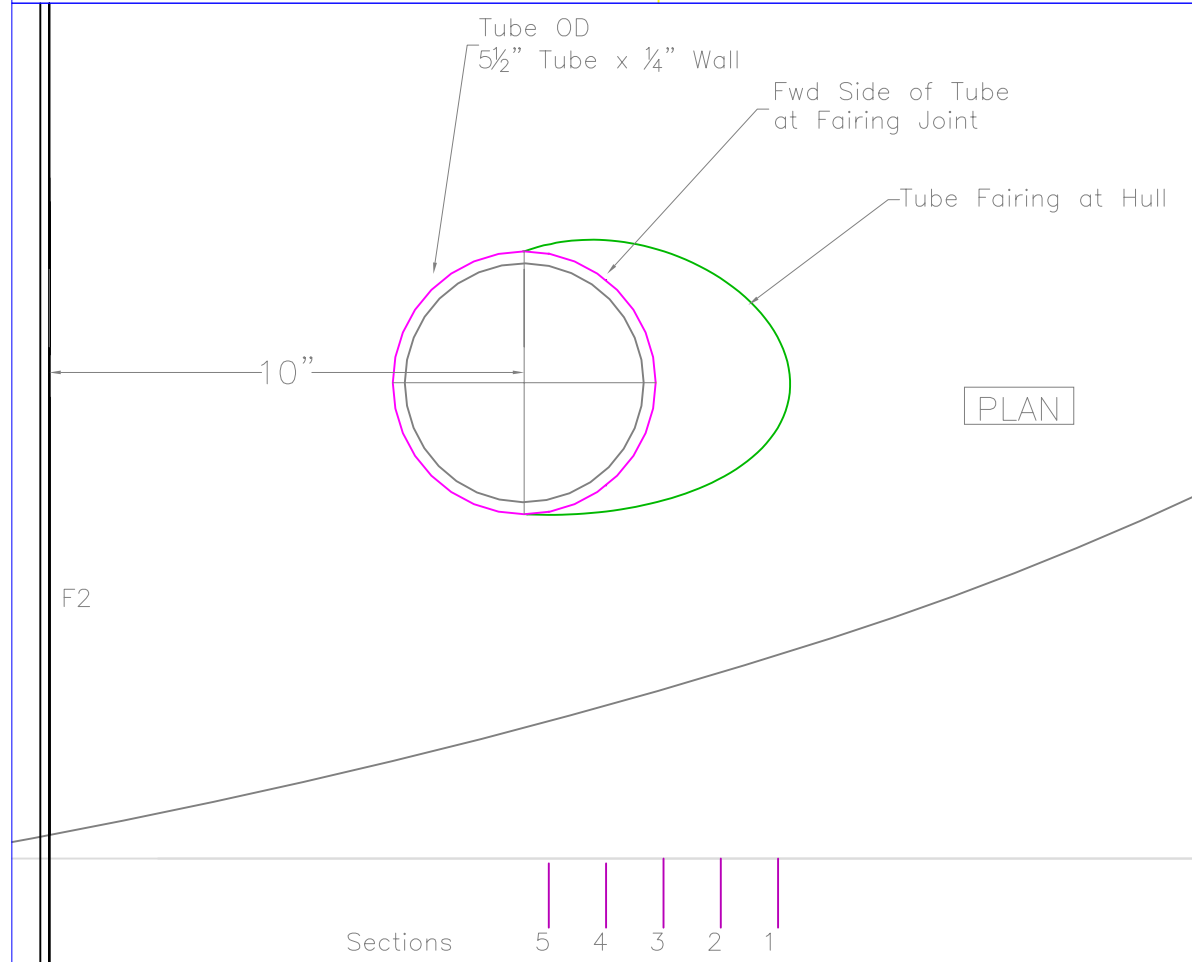
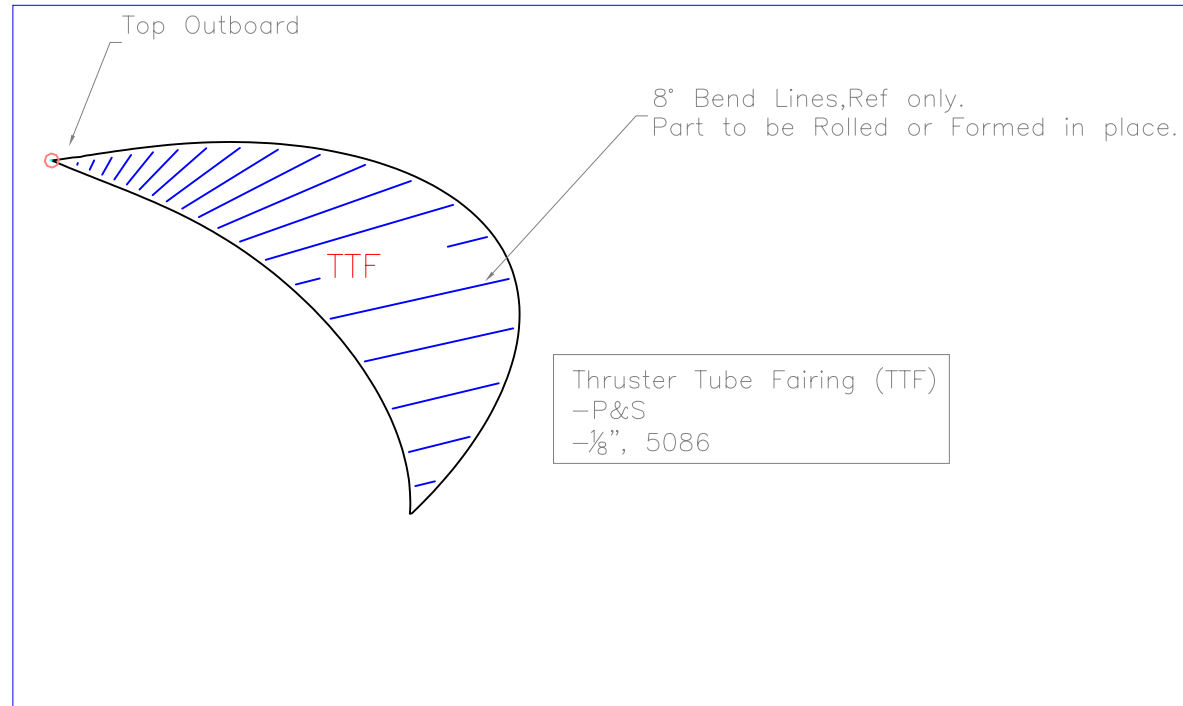
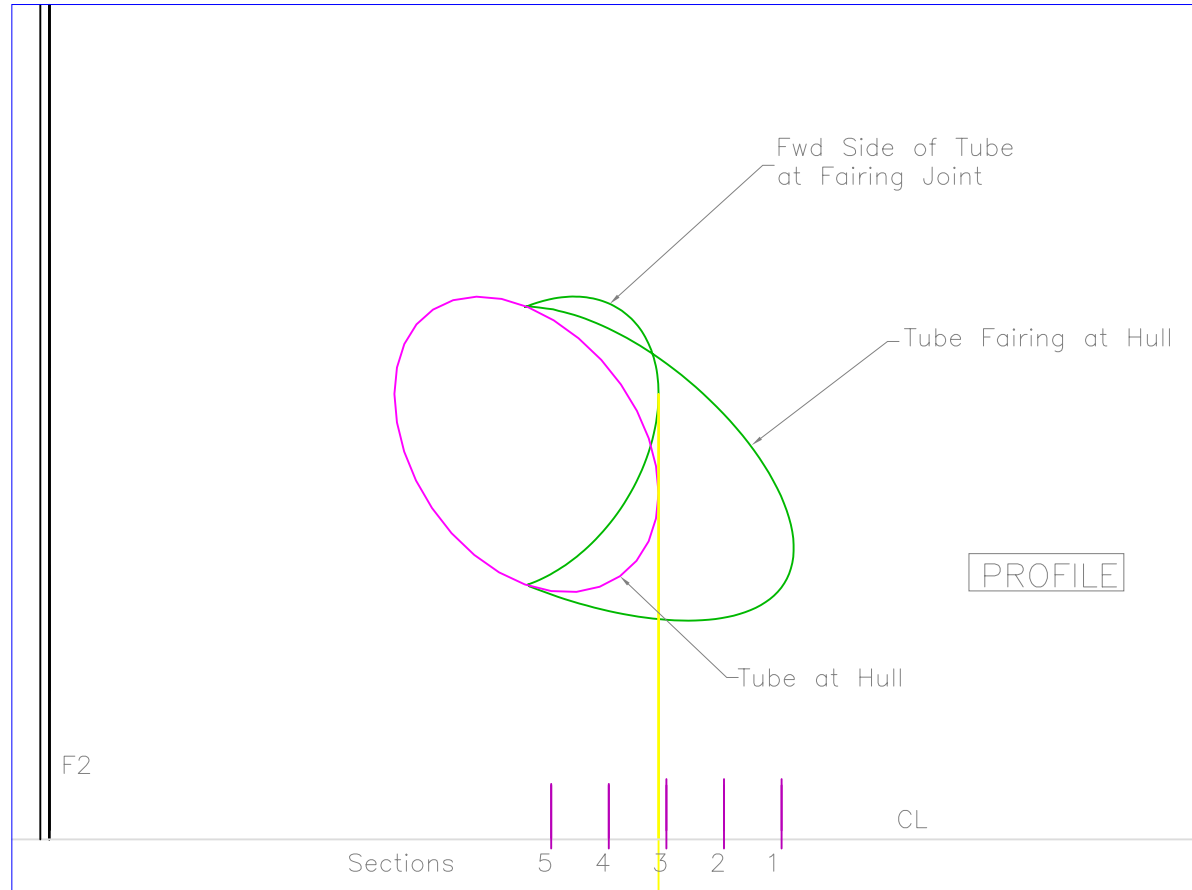
Transom Jig (J-TR):  
 Installs Square off Transom  
 Will Fit IS/OS Transom & at any Height  
 Suggested OS, on Jig Line

TRANSOM

31' 7" Fish/Cruise		
For: Ken Koelling		
SCALE 1" = 1'	DES/DWN WAL	DATE 1/18/07
<b>Response Marine, Inc.</b> Newburyport, MA, www.responsemarine.com		SHEET DWG NO. 274-2-11

REV.	DESCRIPTION

- Notes:
- 1) Hull & Fairing Lines are Inside Skin
  - 2) Use Paper Pattern for Cutting End Shape of Tube. Confirm Length/Fit Prior to Cutting Shape.
  - 3) Tube/Hull Welding is Full Penetration, Both Sides
  - 4) Stringers & Skin are cut for Tube on Molded Side Only.



THRUSTER TUBE

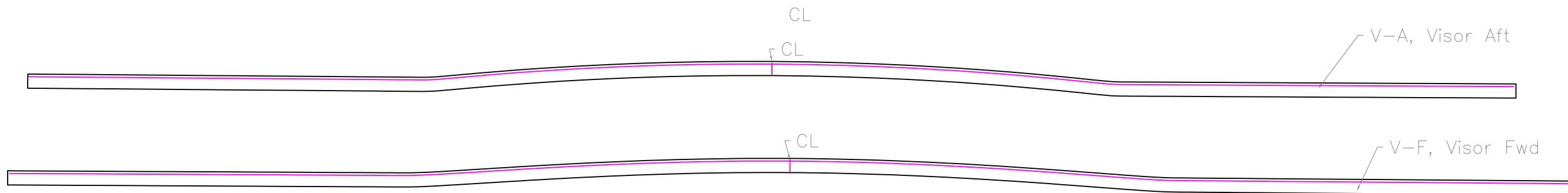
31' 7" Fish/Cruise

For: Ken Koelling

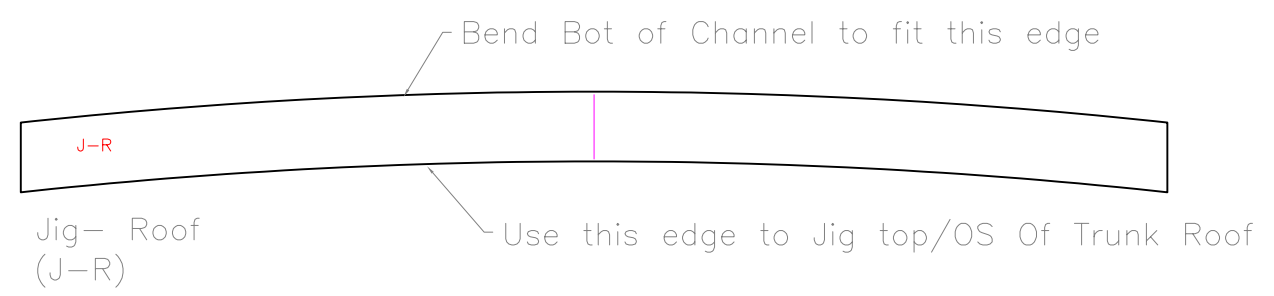
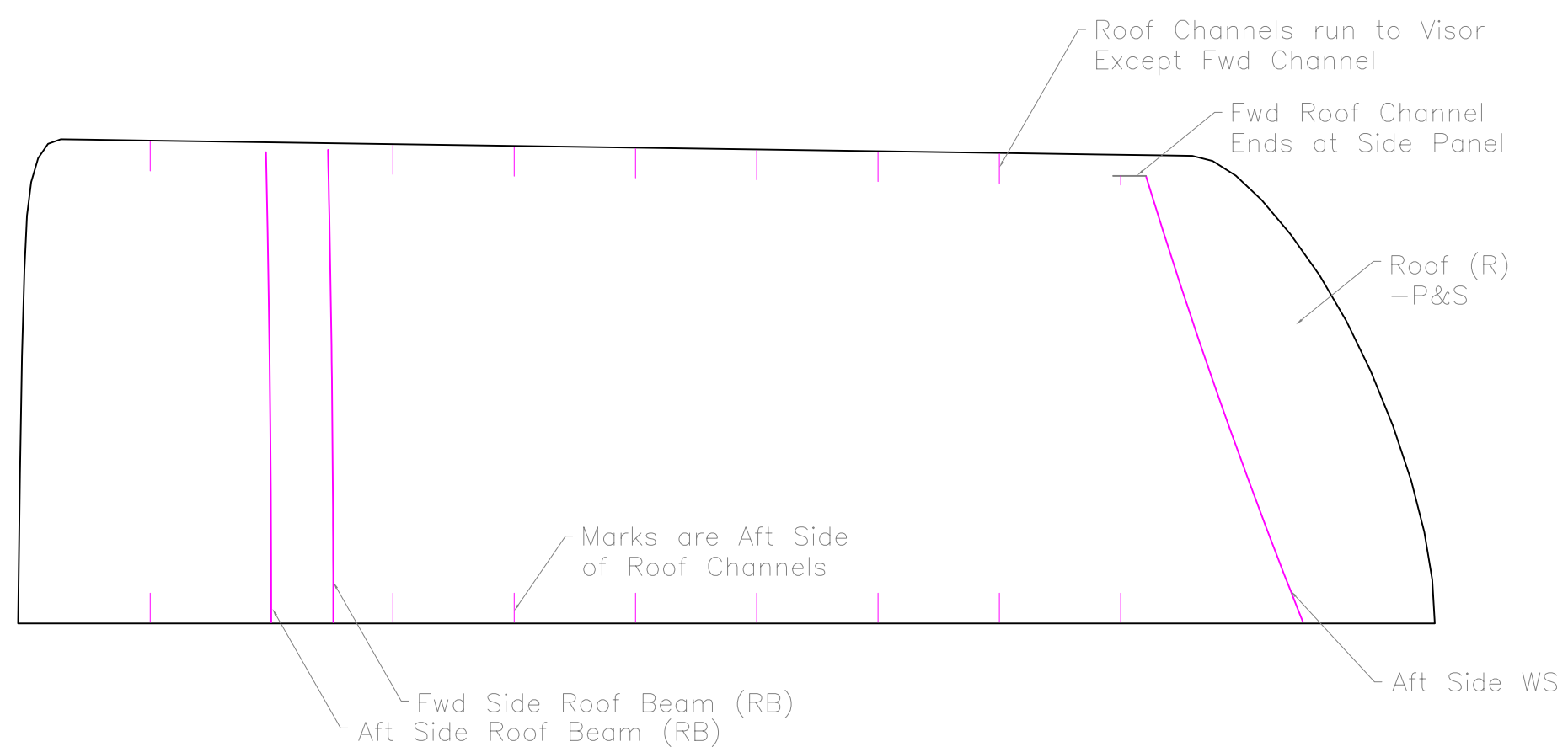
SCALE 3" = 1'	DES/DWN WAL	DATE 1/23/07
------------------	----------------	-----------------

<b>Response Marine, Inc.</b>	SHEET
Newburyport, MA, www.responsemarine.com	DWG NO. 274-2-13

REV.	DESCRIPTION



Note:  
 Visors wraps Roof edge  
 -Marks are Roof Top  
 -Vertical  
 -Cont. Weld at Top, Stitch Bottom



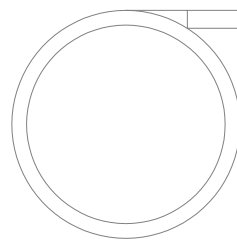
<b>ROOF PARTS</b>		
31' 7" Fish/Cruise		
For: Ken Koelling		
SCALE 3/4" = 1'	DES/DWN WAL	DATE 1/9/07
<b>Response Marine, Inc.</b>		SHEET
Newburyport, MA, www.responsemarine.com		DWG NO. 274-4-5

REV.	DESCRIPTION

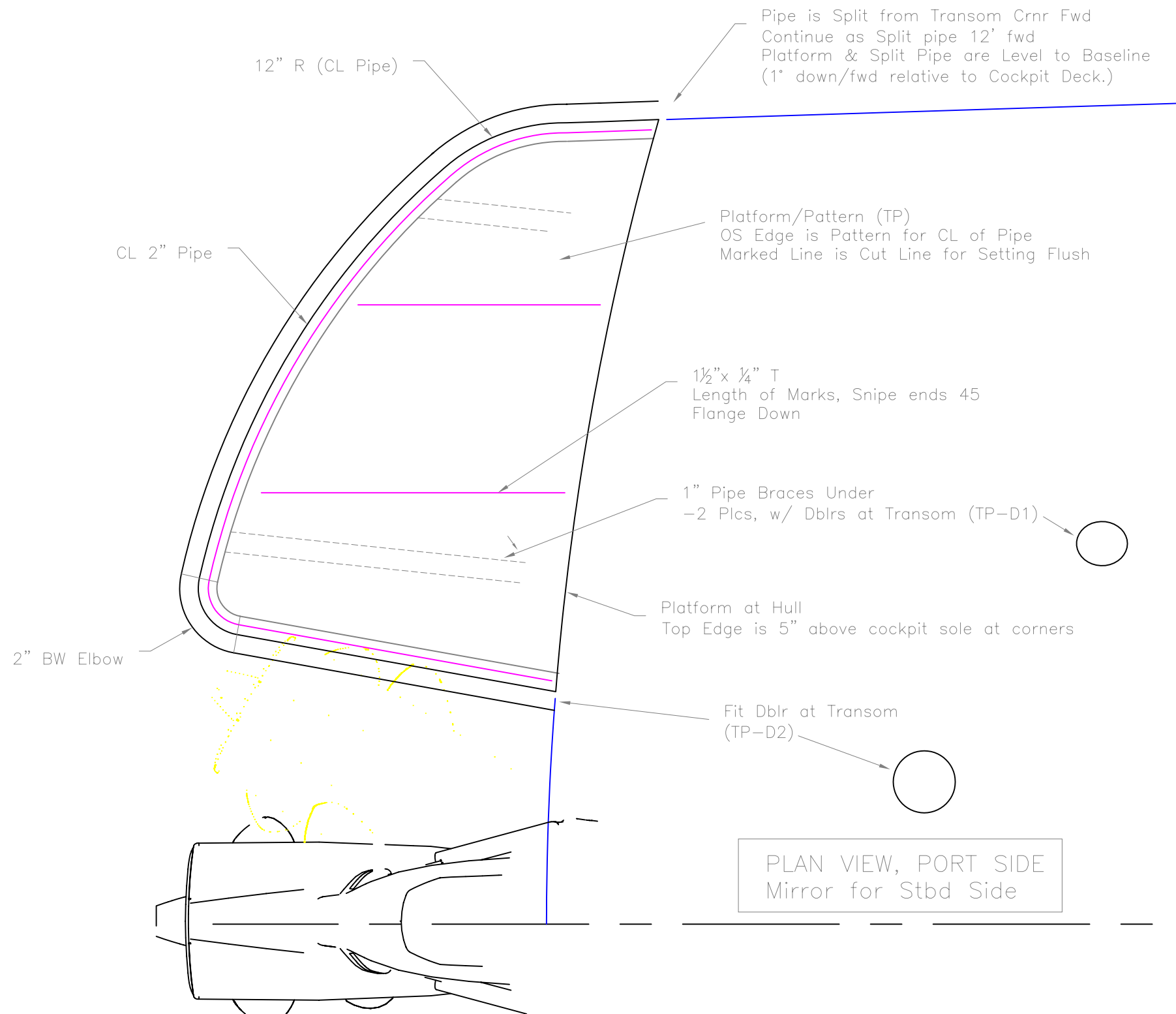
Trim Mark is to this point for Flush Fit

TP is cut to CL Pipe

2" Sch 40 Pipe  
6063 T6



Section  
6" = 1'



TRANSOM PLATFORM

31' 7" Fish/Cruise

For: Ken Koelling

SCALE 1" = 1'	DES/DWN WAL	DATE 1/24/07
------------------	----------------	-----------------

**Response Marine, Inc.**

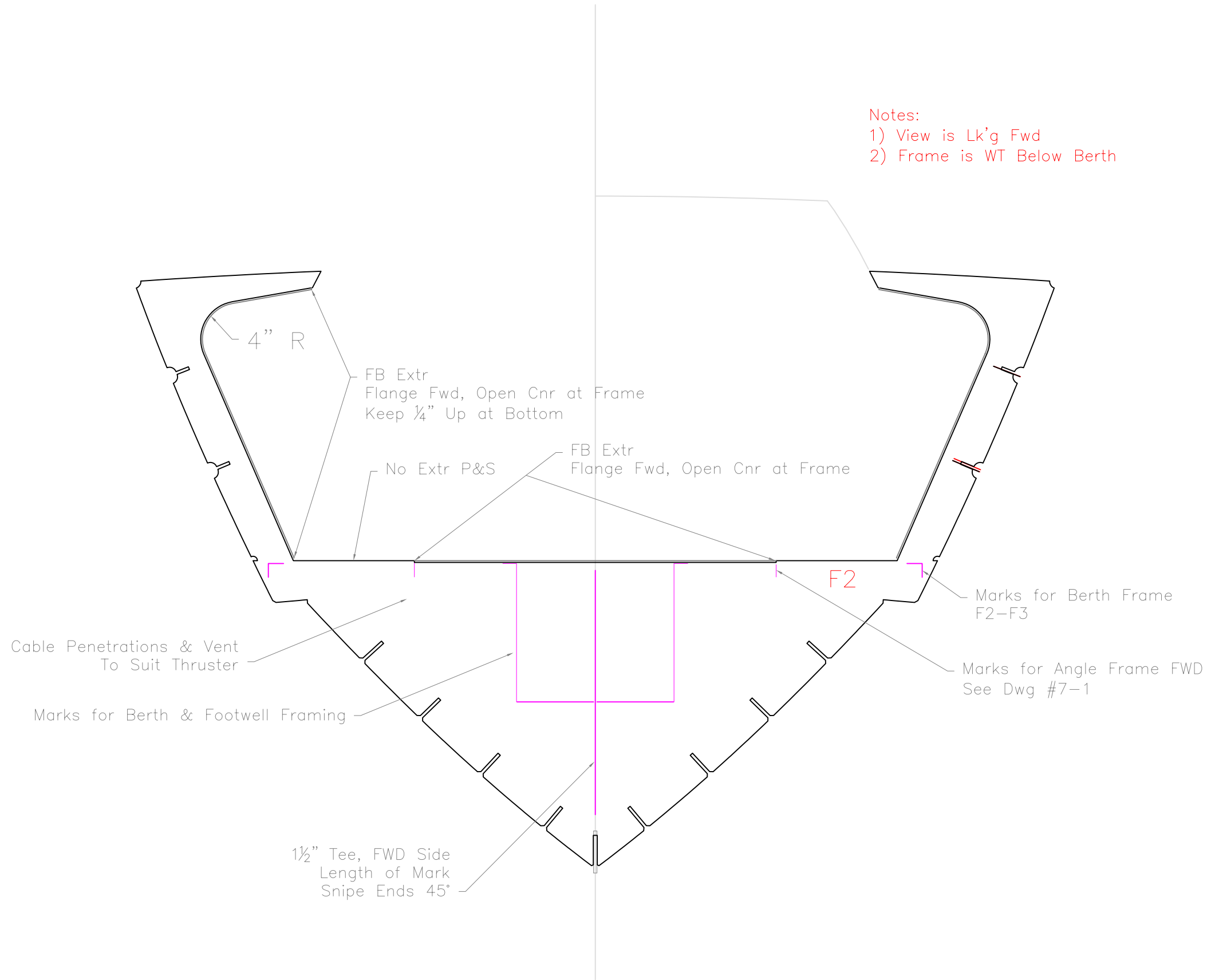
Newburyport, MA, www.responsemarine.com

SHEET

DWG NO.  
274-7-4

REV.	DESCRIPTION

Notes:  
 1) View is Lk'g Fwd  
 2) Frame is WT Below Berth

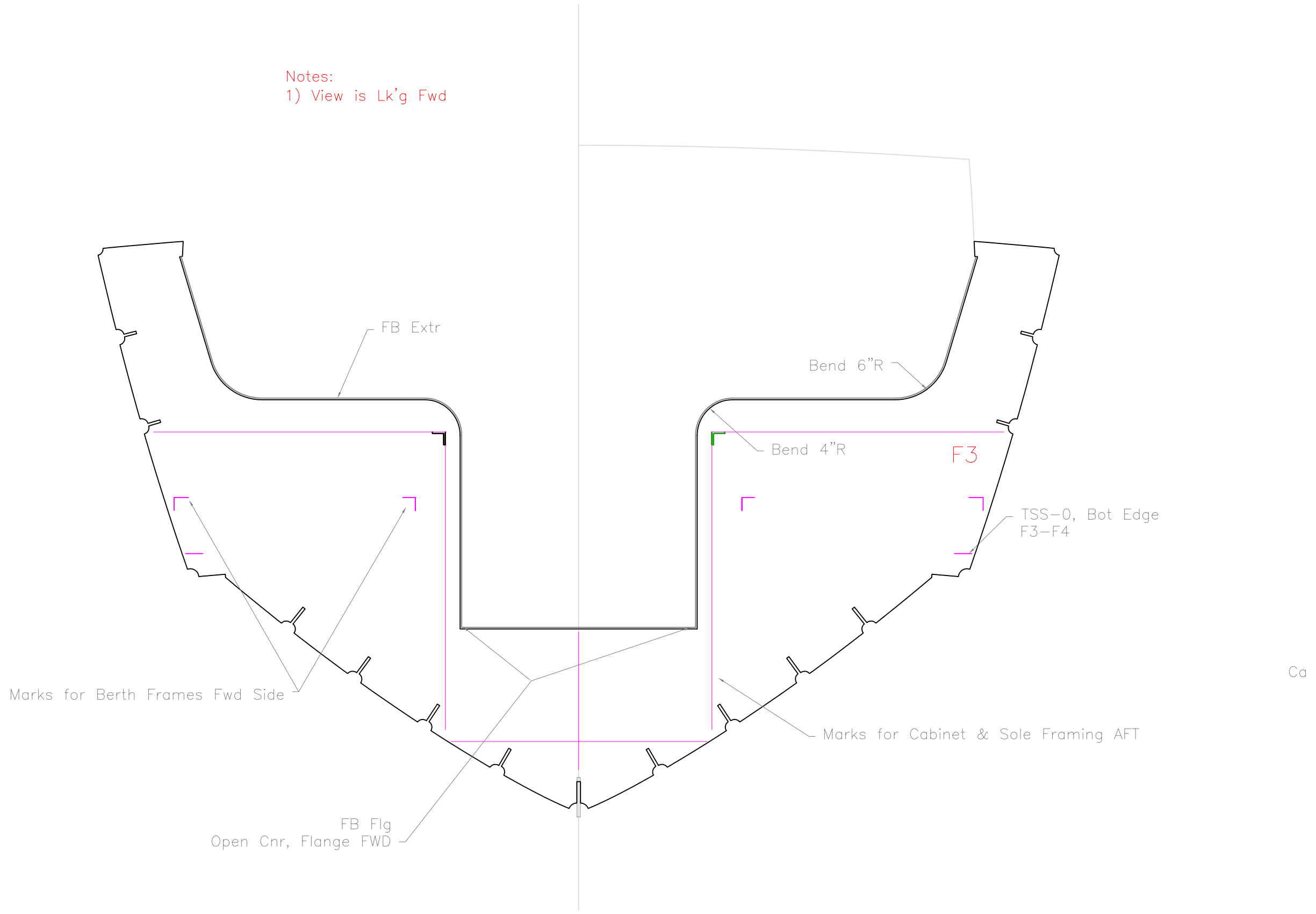


FRAME 2

31' 7" Fish/Cruise		
For: Ken Koelling		
SCALE 1" = 1'	DES/DWN WAL	DATE 1/10/07
<b>Response Marine, Inc.</b>		SHEET
Newburyport, MA, www.responsemarine.com		DWG NO. 274-F-2

REV.	DESCRIPTION

Notes:  
1) View is Lk'g Fwd

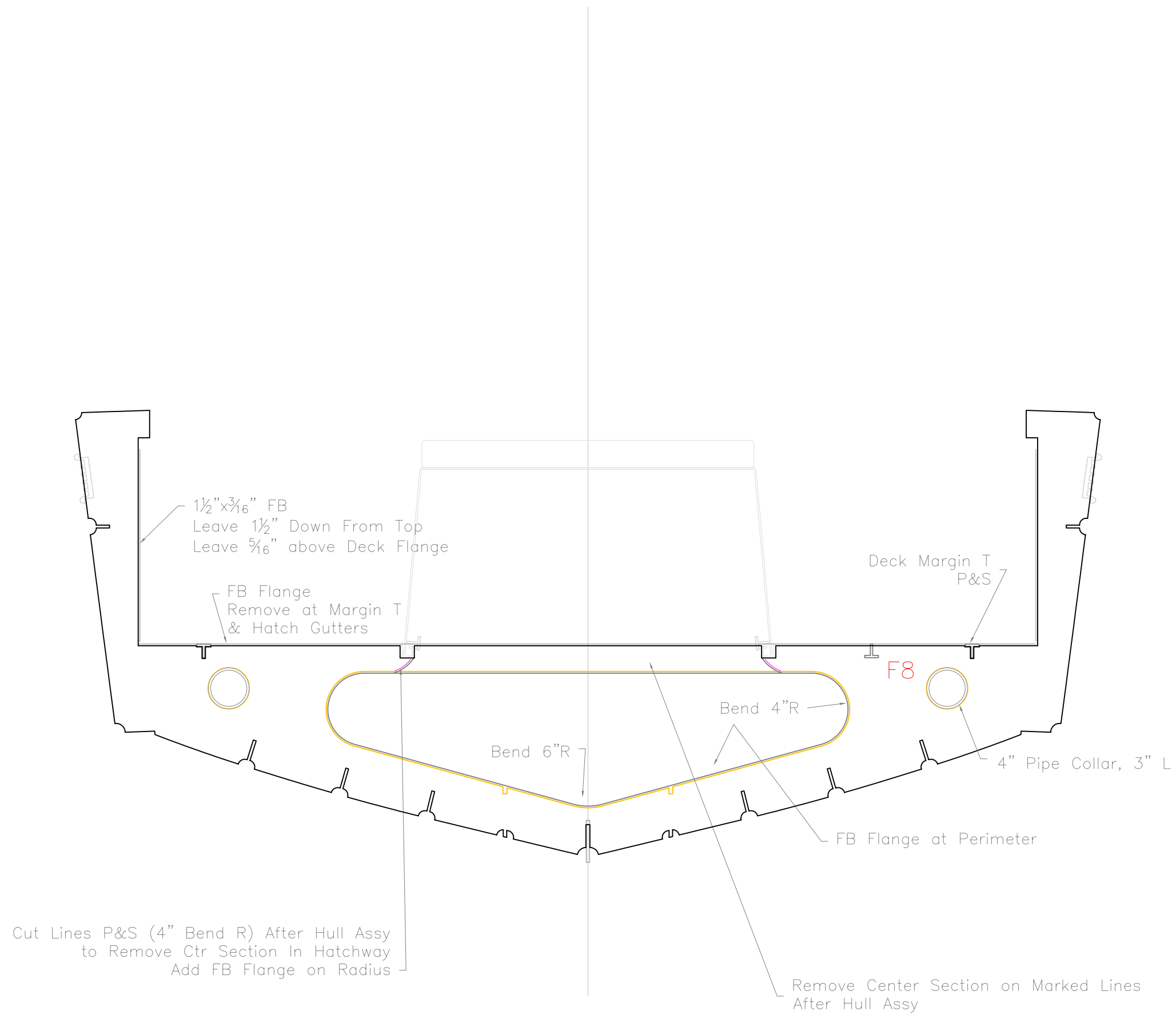


FRAME 3

31' 7" Fish/Cruise		
For: Ken Koelling		
SCALE 1" = 1'	DES/DWN WAL	DATE 1/10/07
<b>Response Marine, Inc.</b>		SHEET
Newburyport, MA, www.responsemarine.com		DWG NO. 274-F-3

REV.	DESCRIPTION





FRAME 8

31' 7" Fish/Cruise		
For: Ken Koelling		
SCALE 1" = 1'	DES/DWN WAL	DATE 1/18/07
Response Marine, Inc.		SHEET
Newburyport, MA, www.responsemarine.com		DWG NO. 274-F-8

REV.	DESCRIPTION

Response Marine, Inc.

Cut Parts for 274 Koelling  
File: RMIdes\Koelling\274\  
revised: 1/25/07

Print Date: 1/25/07

**1/8" Parts- 5052 H32**

<u>Part #</u>	<u>Pieces</u>	<u>Description</u>	<u>Stock</u>	<u>Bending</u>
J-FD-1	1	Jig- Foredeck, at fwd mark		
J-FD2	1	Jig- Foredeck, at aft mark		
J-R	1	Jig- Roof		
J-TK0	1	Jig- Trunk Side CL		
J-TK1	2	Jig- Trunk Side on marked Angle near Frame 2		
J-TK2	2	Jig- Trunk Side at Frame 3		
J-TKR	1	Jig- Trunk Roof		
RB-B	1	Roof Beam Skin, Center		
RB-C	2	Roof Beam Skin, Outbd		
R-P	1	Roof, Port		
R-S	1	Roof, Stbd		
T-7	1	Jig- Tank for Supply Ftg Placement		
TTF	1	Thruster Tube Fairing		
	16	Total Pieces 1/8" 5052		

**3/16" Parts- 5052 H32**

<u>Part #</u>	<u>Pieces</u>	<u>Description</u>	<u>Stock</u>	<u>Bending</u>
ALB	1	Anchor Locker Bottom		
BF-A	2	Berth Flat, Margin, F1-F2		
BF-B	1	Berth Flat, CL fwd		
BF-C	1	Berth Flat, CL aft (removable)		
D	2	Dash		
DB-A	1	Deck Body, fwd		
DB-B	1	Deck Body, over tank		
DB-CP	1	Deck Body, mid OB of engine well, Port		
DB-CS	1	Deck Body, mid OB of engine well, Stbd		
DB-D	1	Deck Body, aft CL		
EBF	1	Engine Box Frame		
EBS-P	1	Engine Box Side, Port		Y
EBS-S	1	Engine Box Side, Stbd		Y
EBT	1	Engine Box Top		
FD-P	1	Foredeck, Port		
FD-S	1	Foredeck, Stbd		
J-TR	1	Jig-Transom		
K	2	Knuckle at Cabin Trunk/Side Window Panel		
RB	2	Roof Beam at Stanchion		
SB-P	1	Seat Box, Port		Y
SB-S	1	Seat Box, Stbd		Y

SBT-P	1	Seat Box Top, Port	
SBT-S	1	Seat Box Top, Starboard	
SD-AP	1	Side Deck, Fwd Port	
SD-AS	1	Side Deck, Fwd Stbd	
SD-CP	1	Side Deck Coaming, Port	
SD-CS	1	Side Deck Coaming, Stbd	
TD-C	1	Transom Deck Coaming	
TP	2	Transom Platform Pattern/Plate	
TR-EC	2	Trunk End Cap	
TRT-P	1	Trunk Top, Port	
TRT-S	1	Trunk Top, Stbd	
VBE-P	1	Vent Box End, Port	Y
VBE-S	1	Vent Box End, Stbd	Y
VC-P	1	Vent Cover, Port	
VC-S	1	Vent Cover, Stbd	
VD-1	2	Vent Dam, fwd	
VD-2	2	Vent Dam, aft	
	46	Total Pieces 3/16" 5052	

**3/16" Parts- 5086 H116 or 5083 H116, Marine, ASTM B928**

<u>Part #</u>	<u>Pieces</u>	<u>Description</u>	<u>Stock</u>	<u>Bending</u>
DM-P	1	Deck Margin, Port		
DM-S	1	Deck Margin, Stbd		
F1	1	Frame 1		
F2	1	Frame 2		
F3	1	Frame 3		
F4	1	Frame 4		
F5	1	Frame 5		
F6	1	Frame 6		
F7	1	Frame 7		
F7-D	2	Frame 7 Doubler at Engine Girder, Aft side of Frame		
F-7P	1	Frame 7, upper Port		
F-7S	1	Frame 7, upper Stbd		
F8	1	Frame 8		
F9	1	Frame 9		
SD-BP	1	Side Deck, Aft Port		
SD-BS	1	Side Deck, Aft Stbd		
TD	1	Transom Deck		
TP-D1	4	Transom Platform- Doublers for 1" Pipe at Transom		
TP-D2	2	Transom Platform- Doublers for 2" Pipe at Transom		
TR	1	Transom		
TRS-P	1	Trunk Side, Port		
TRS-S	1	Trunk Side, Stbd		
TS-AP	1	Topsides, forward, Port		
TS-AS	1	Topsides, forward, Stbd		
TS-BP	1	Topsides, aft, Port		

TS-BS	1	Topsides, aft, Stbd
VA	1	Roof Visor, Aft
VF	1	Roof Visor, Fwd
	33	Total Pieces 3/16" 5086/83

**1/4" Parts, 5086 H116 or 5083 H116, Marine, ASTM B928**

<u>Part #</u>	<u>Pieces</u>	<u>Description</u>	<u>Stock</u>	<u>Bending</u>
B-AP	1	Bottom Plate, Fwd Port		
B-AS	1	Bottom Plate, Fwd Stbc		
B-BP	1	Bottom Plate, Aft Port		
B-BS	1	Bottom Plate, Aft Stbd		
BS-1	2	Bottom Stringer 1 (fwd)		
BS-2A	2	Bottom Stringer 2 (fwd)		
BS-2B	2	Bottom Stringer 2 (aft)		
BS-3A	2	Bottom Stringer 3 (fwd)		
BS-3B	2	Bottom Stringer 3 (aft)		
BS-4A	2	Bottom Stringer 4 (fwd)		
BS-4B	2	Bottom Stringer 4 (mid, F1-F4)		
BS-4C	2	Bottom Stringer 4 (aft)		
EBCS	4	Corner Fillers for Engine Box Tee at Seal Edge		
SW-P	1	Side Window Panel, Port		
SW-S	1	Side Window Panel, Stbd		
T-1	1	Tank Front		
T-1A	1	Tank Aft		
T-2	1	Tank Top		
T-3	1	Tank Baffle		
T-4	1	Tank Body		Y
T-5	1	Tank Clean Out Doubler		
T-6	1	Tank Clean Out Plate		
TB-2	1	Tombstone Edge		
TRS	1	Transom Stiffener		
TSS-0	2	Topside Stringer F3-F4, in line with margin deck		
TSS-1A	2	Topside Stringer #1, fwd		
TSS-1B	2	Topside Stringer, #1 aft		
TSS-2	2	Topside Stringer #2		
WS-P	1	Windshield, Port		
WS-S	1	Windshield, Stbd		
	45	Total Pieces 1/4" 5086/83		

**3/8" Parts, 5086 H116 or 5083 H116, Marine, ASTM B928**

<u>Part #</u>	<u>Pieces</u>	<u>Description</u>	<u>Stock</u>	<u>Bending</u>
C-AP	1	Chine, Fwd Port		
C-AS	1	Chine, Fwd Stbd		
C-BP	1	Chine, Aft Port		
C-BS	1	Chine, Aft Stbd		

EG	4	Engine Mount Gussett
F-71	2	Frame at Engine Girder, btwn F7-F8, P&S
F-81	2	Frame at Engine Girder, btwn F8-F9, P&S
GF-1	2	Engine Girder Flange #1
GF-2	2	Engine Girder Flange #2
GF-3	2	Engine Girder Flange #3
GF-4	2	Engine Girder Flange #4
G-P	1	Engine Girder, Port
G-S	1	Engine Girder, Stbd
K-1	1	Keel, Deck at Stem
K-2	1	Keel, Stem
K-3	1	Keel, Fwd
K-4	1	Keel, Aft
K-5	1	Keel, Transom
TB-1	1	Tombstone
	28	Total 3/8" 5086/83
	168	Total Cut Parts