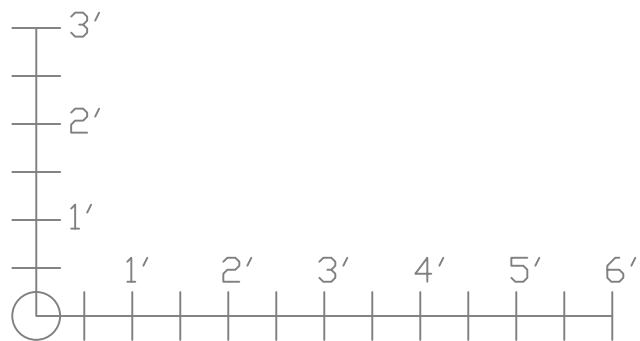
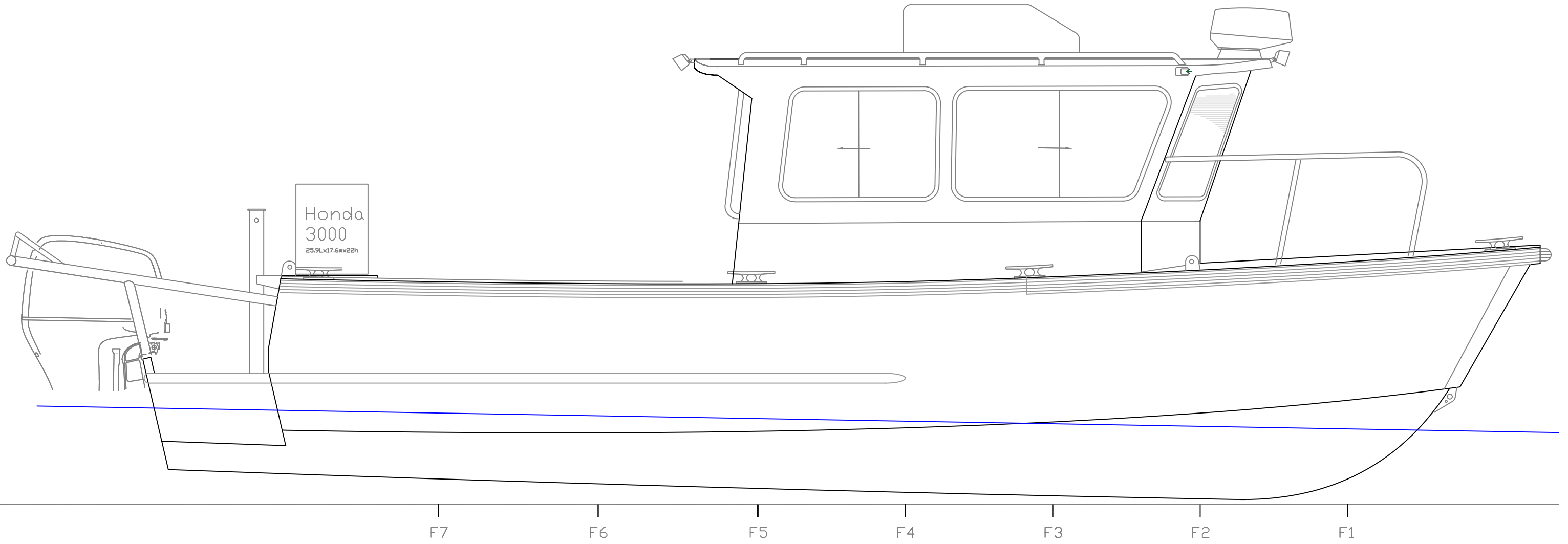


| | |
|---------------|-------------------------------|
| PARTICULARS~ | |
| Hull LOA; | 25' 11" |
| Beam; | 8' 6" (w/ 3" D Rub Rail) |
| Displacement; | X,XXX lbs. (Normal Operating) |



PRELIMINARY

OUTB'D PROFILE- Ver B

25'11" x 8'6" Survey
For: Waterworks Marine

| | | |
|--------------------|----------------|-----------------|
| SCALE 1/2" = 1' | DES/DWN WAL | DATE 4/13/21 |
|--------------------|----------------|-----------------|

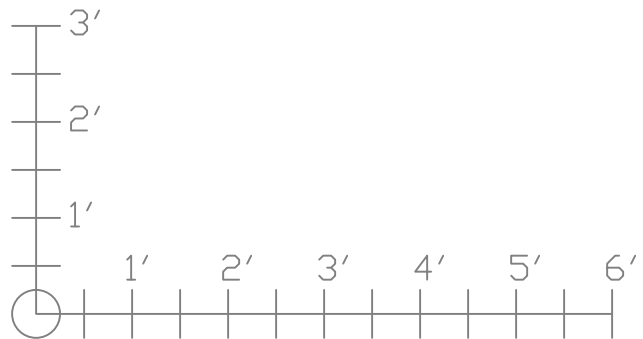
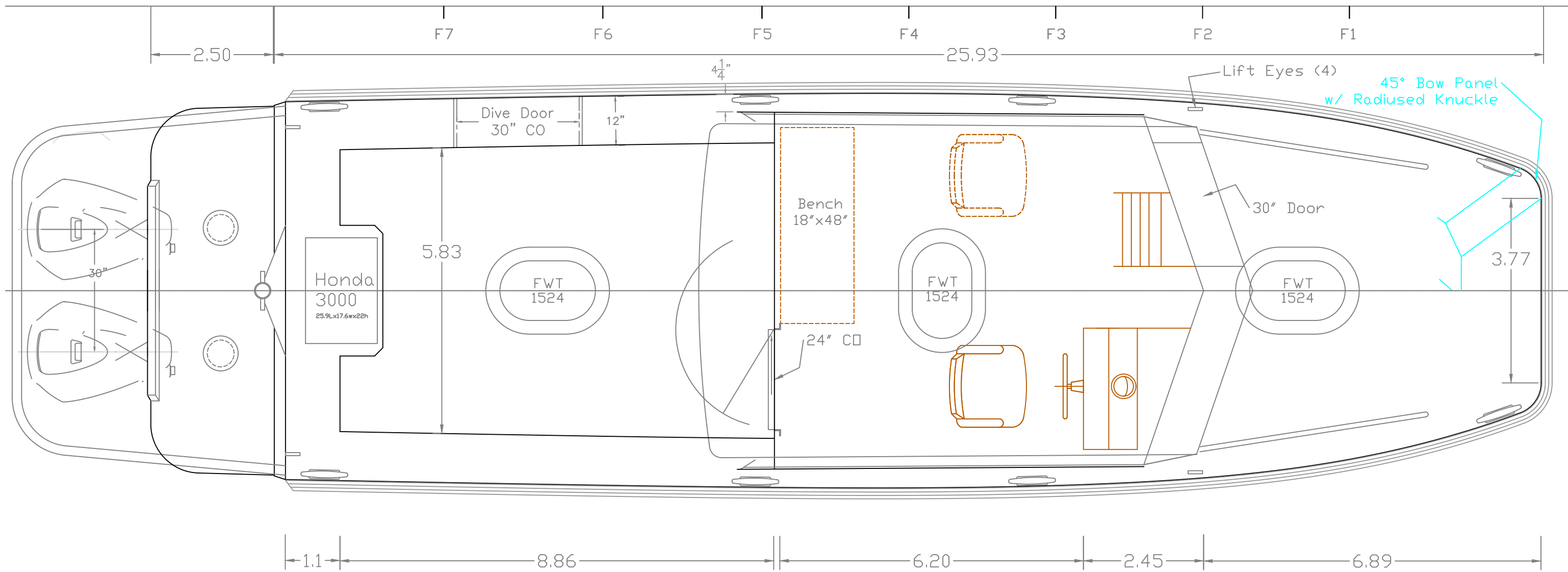
| |
|----------------|
| REV 4/19/21 |
|----------------|

Response Marine, Inc.

DWG NO.
611-P-B1,r1

| REV. | DESCRIPTION |
|--------------|-----------------------------|
| R1, 4/19/21, | Lift Eyes, Tow Post, Bow 45 |

Newburyport, MA www.responsemarine.com



PRELIMINARY

DECK PLAN- Ver B

25'11" x 8'6" Survey
For: Waterworks Marine

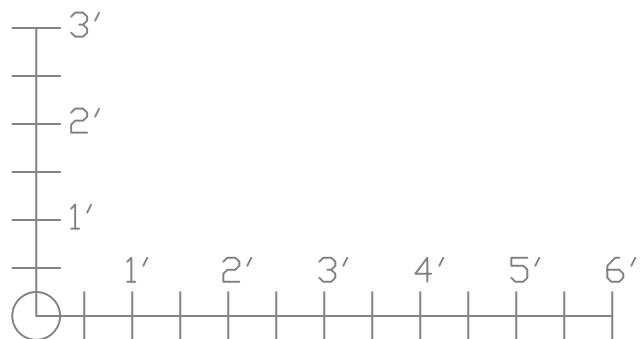
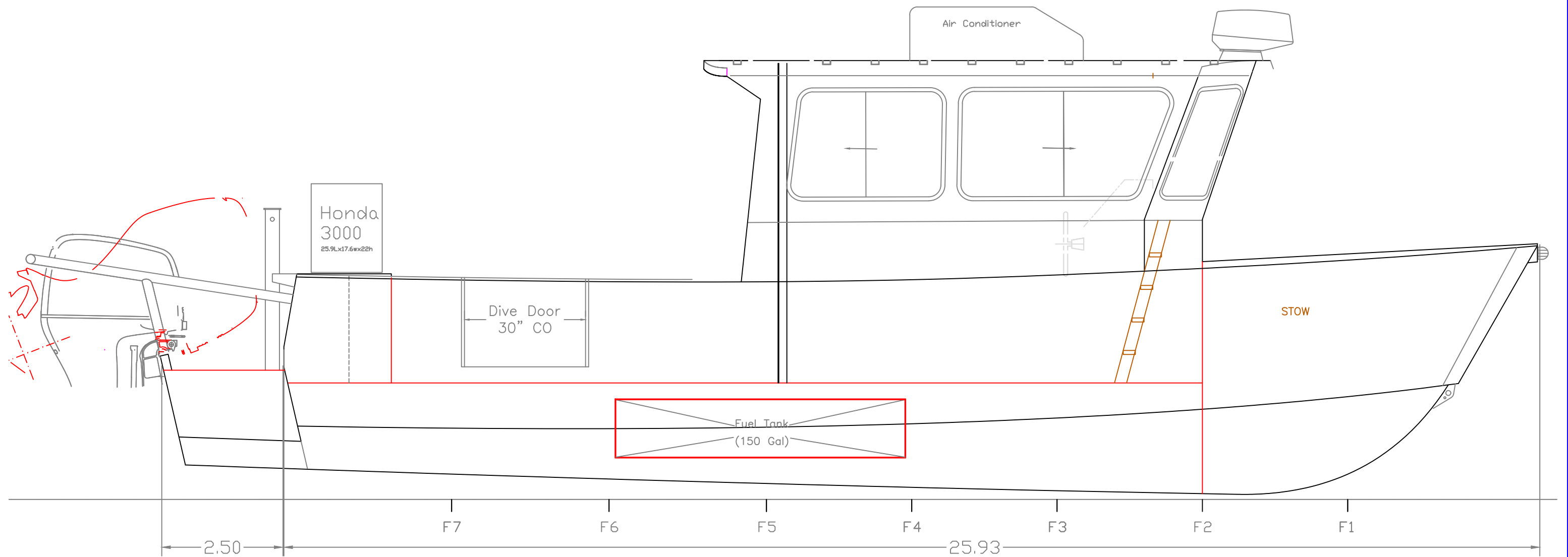
| | | |
|--------------------|----------------|-----------------|
| SCALE 1/2" = 1' | DES/DWN WAL | DATE 4/13/21 |
|--------------------|----------------|-----------------|

| | |
|----------------|------------------------|
| REV 4/19/21 | DWG NO. 611-P-B2,r1 |
|----------------|------------------------|

| REV. | DESCRIPTION |
|--------------|-----------------------------|
| R1, 4/19/21, | Lift Eyes, Tow Post, Bow 45 |

Response Marine, Inc.

Newport, MA www.responsemarine.com



PRELIMINARY

I.B. PROFILE- Ver B

25'11" x 8'6" Survey

For: Waterworks Marine

| | | |
|--------------------|----------------|-----------------|
| SCALE 1/2" = 1' | DES/DWN WAL | DATE 4/13/21 |
|--------------------|----------------|-----------------|

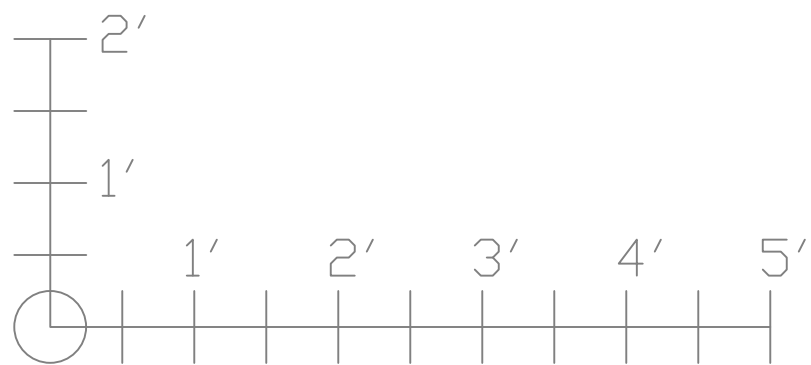
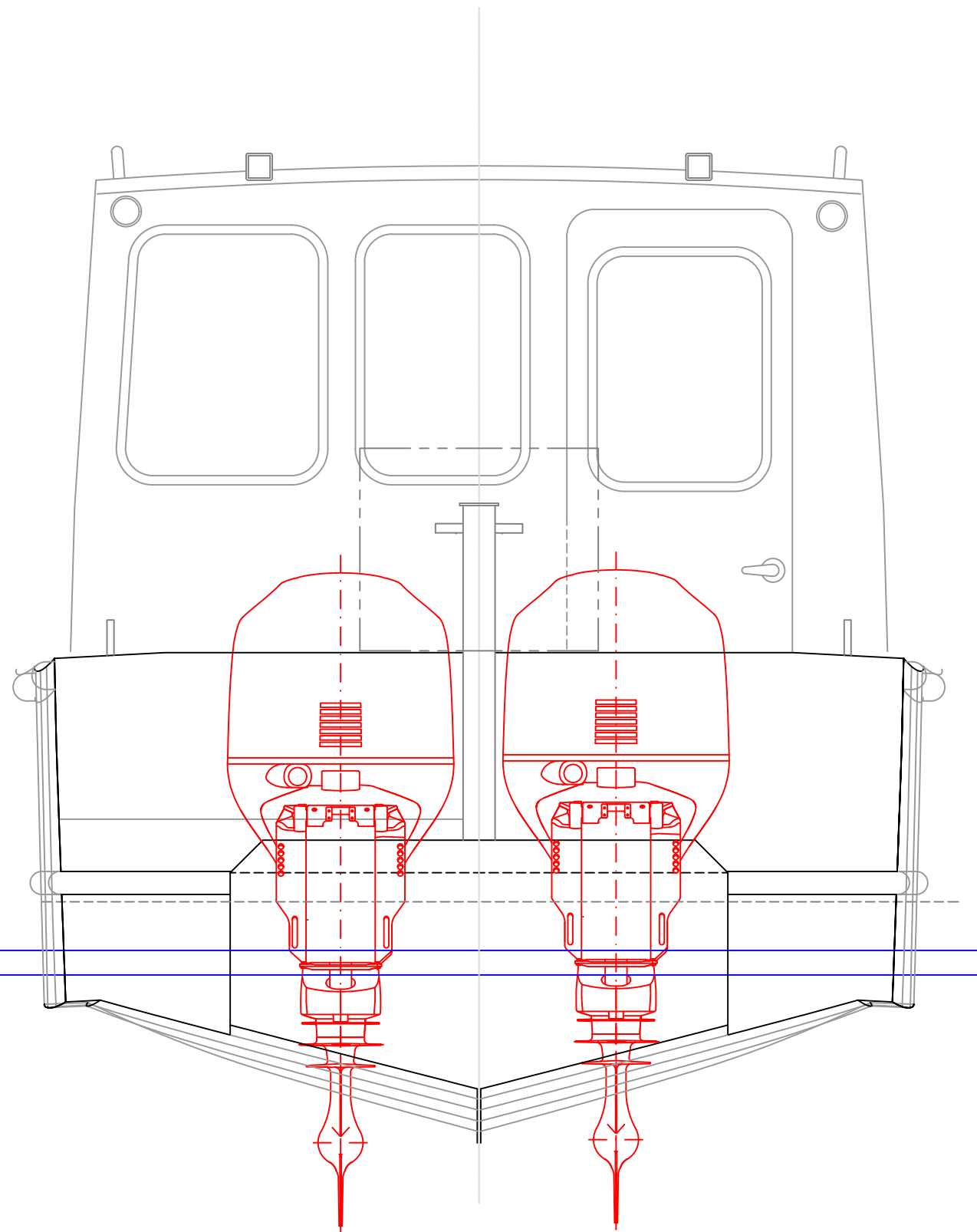
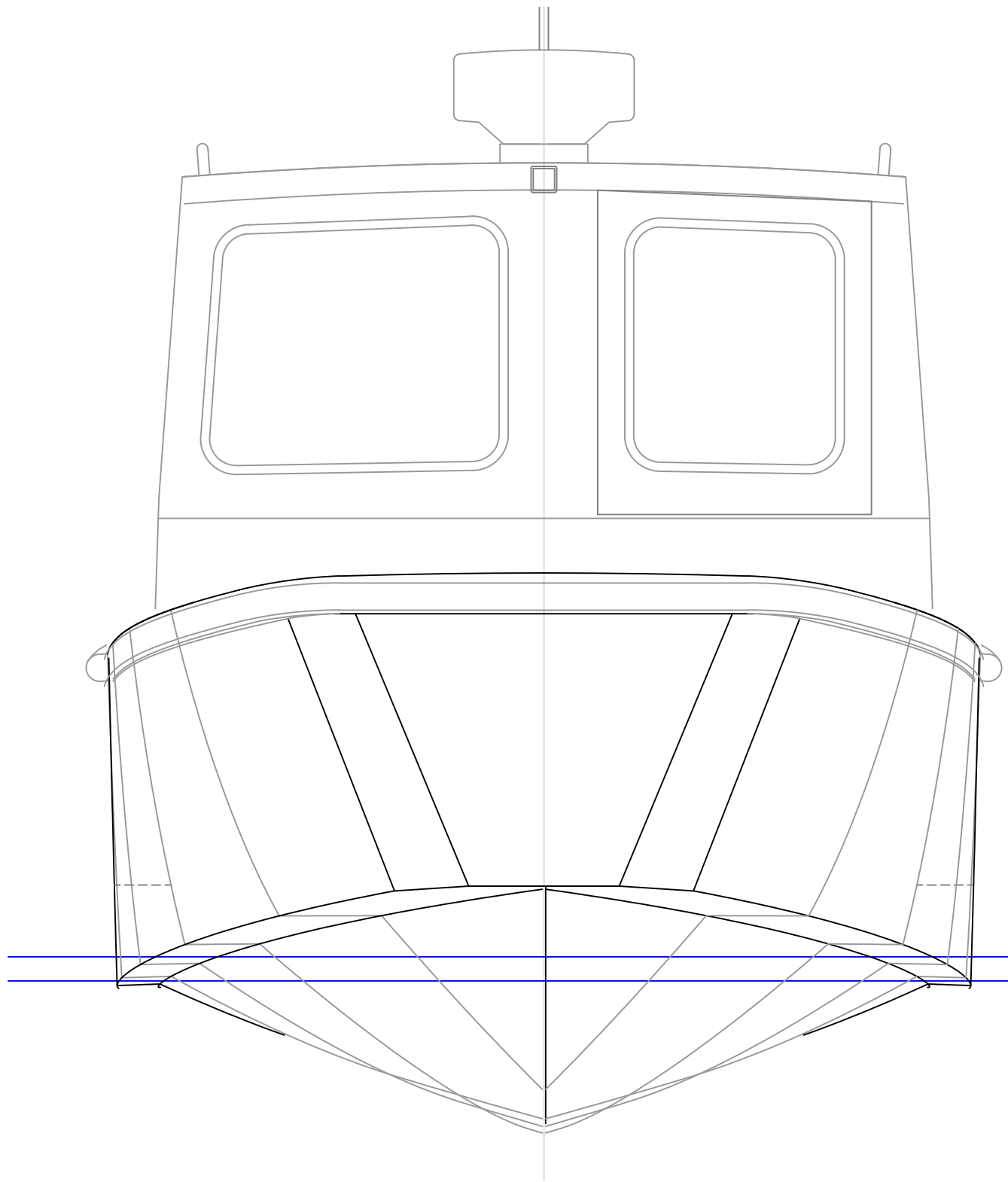
| |
|----------------|
| REV 4/19/21 |
|----------------|

| |
|---------------------|
| DWG NO. 611-P-B3 |
|---------------------|

| REV. | DESCRIPTION |
|--------------|-----------------------------|
| R1, 4/19/21, | Lift Eyes, Tow Post, Bow 45 |

Response Marine, Inc.

Newport, MA, www.responsemarine.com



PRELIMINARY

END VIEWS- Ver B

25'11" x 8'6" Survey

For: Waterworks Marine

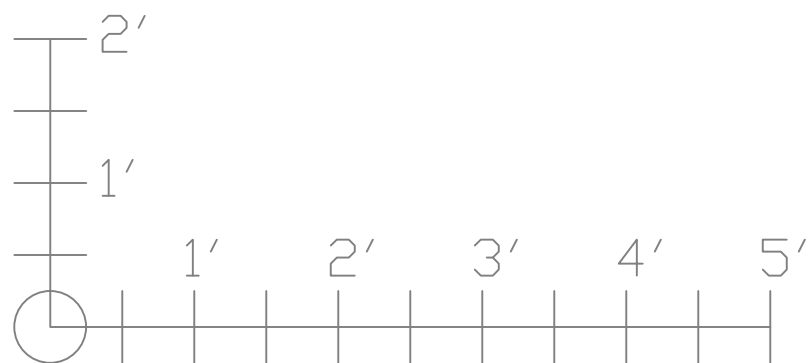
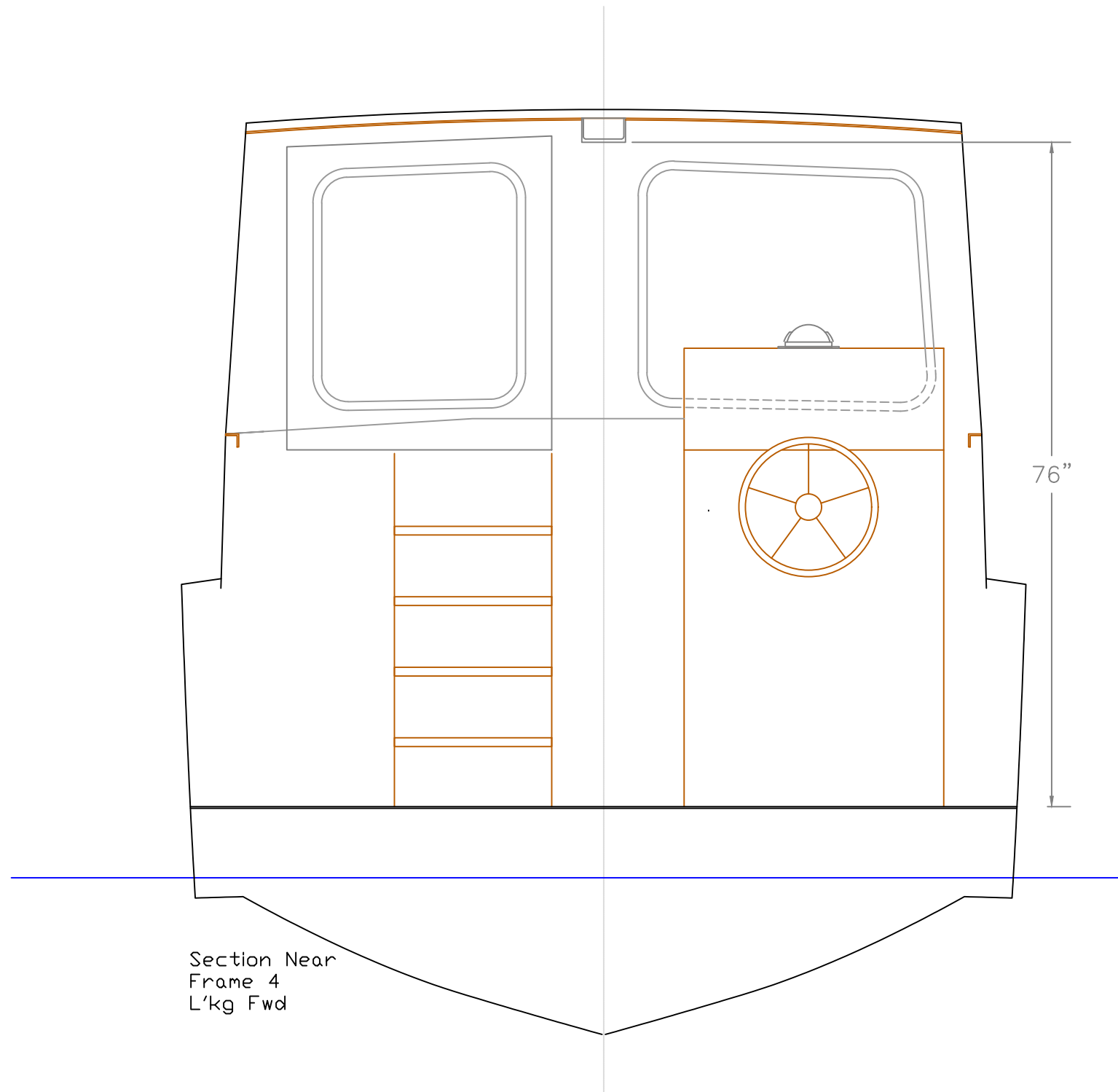
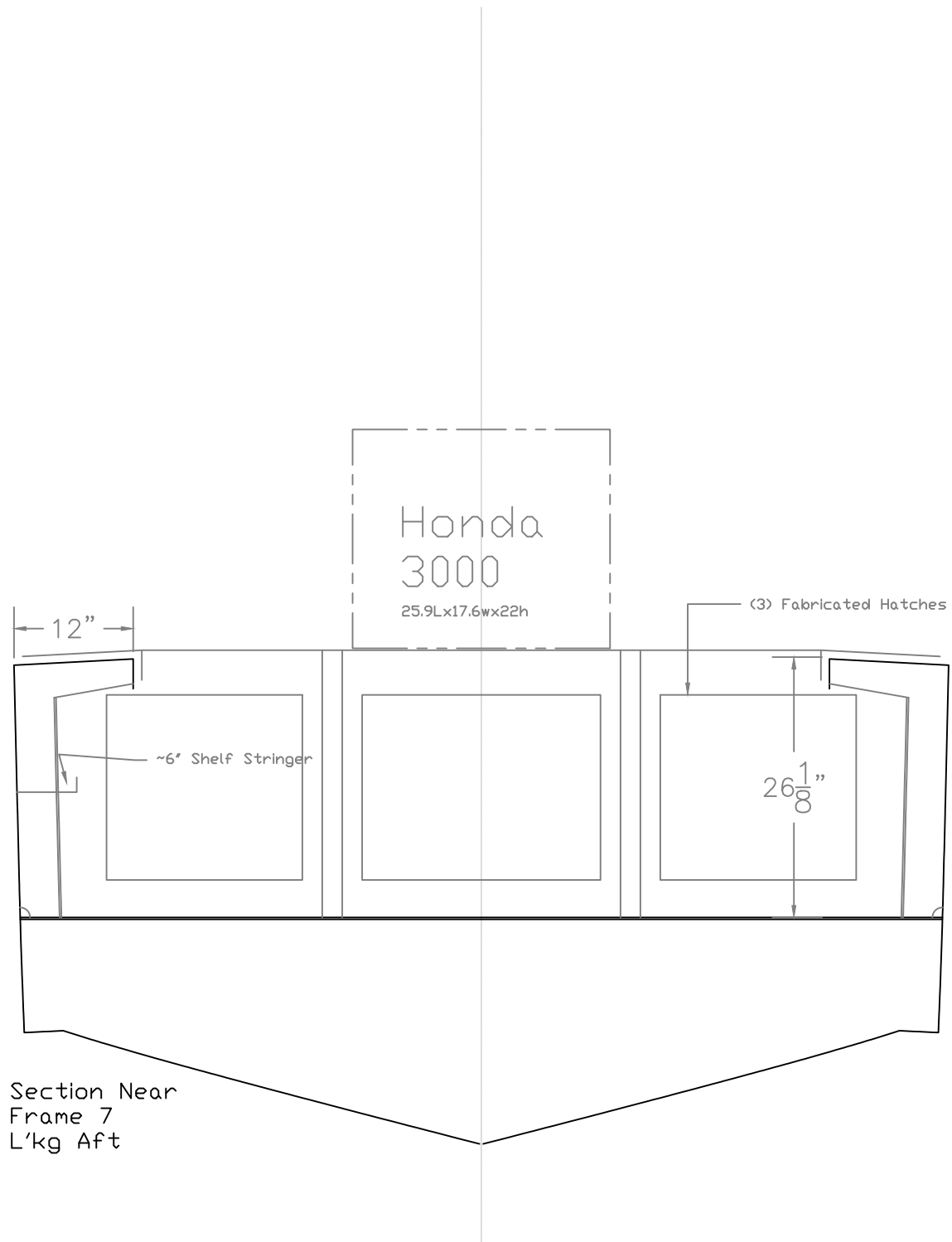
| | | |
|--------------------|----------------|-----------------|
| SCALE 3/4" = 1' | DES/DWN WAL | DATE 4/13/21 |
|--------------------|----------------|-----------------|

| |
|----------------|
| REV 4/19/21 |
|----------------|

Response Marine, Inc.

| REV. | DESCRIPTION |
|--|-------------|
| R1, 4/19/21, Lift Eyes, Tow Post, Bow 45 | |

Newburyport, MA, www.responsemarine.com DWG NO. 611-P-B4,r1



PRELIMINARY

SECTION VIEWS Ver B

25'11" x 8'6" Survey
For: Waterworks Marine

| | | |
|--------------------|----------------|-----------------|
| SCALE 3/4" = 1' | DES/DWN WAL | DATE 4/13/21 |
|--------------------|----------------|-----------------|

| | |
|---|------------------------------|
| Response Marine, Inc. Newburyport, MA, www.responsemarine.com | SHEET DWC NO. 611-P-B5 |
|---|------------------------------|

| REV. | DESCRIPTION |
|------|-------------|
| | |