

DRAWING LIST

Design	Dwg	Description	Customer	Date
Shepard 30' Tug				
479	-1-1	Hull OB Profile & Plan		11/9/15
	-1-2	Hull IB Profile & Plan		11/9/15
	-1-3	Typical Hull Section		9/29/15
	-1-4	Lines Plan		9/29/15
	-2-1	Keel Layout		9/18/15
	-2-2	Girder Layout		9/18/15
	-2-3	Bottom Layout		9/18/15
	-2-4	Trip Chine Layout		9/18/15
	-2-5	Topsides Layout		9/18/15
	-2-6	Bulwark Layout		9/18/15
	-2-7	Deck Layout		9/18/15
	-2-8	Ballast Tank, Fwd		9/18/15
	-2-9	Ballast Tank, Aft		9/18/15
	-2-10	Rub Strakes		11/9/15
	-3-1	Drive Line		
	-3-2	Rudder		
	-B-1	Flange Bend "B-1"		9/18/15
	-F-R	Frame Dimensions		9/18/15
	-F-1	Frame 1		9/18/15
	-F-2	Frame 2		9/18/15
	-F-3	Frame 3		9/18/15
	-F-4	Frame 4		9/18/15
	-F-5	Frame 5		9/18/15
	-F-6	Frame 6		9/18/15
	-F-7	Frame 7		9/18/15
	-F-8	Frame 8		9/18/15
	-F-9	Frame 9		9/18/15

Response Marine, Inc.

Plaz Parts for # 479, Shepard RR Tug
File: RMIdes\Shepard\Finalizing\

11/10/2015

Print Date: 11/10/15

3/16" Parts- 5052

<u>Part #</u>	<u>Pieces</u>	<u>Description</u>	<u>Bending</u>
D-AP	1	Foredeck, Port	
D-AS	1	Foredeck, Stbd	
D-BP	1	Deck, Mid, Port	
D-BS	1	Deck Mid, Stbd	
D-CP	1	Deck F7-F9, Port	
D-CS	1	Deck F7-F9, Stbd	
	6	Sub Total	

3/16" Parts- 5086

<u>Part #</u>	<u>Pieces</u>	<u>Description</u>	<u>Bending</u>
BTA-BP	1	Ballast Tank AFT, Long'l Baffle, Port	Y, Flange B-1
BTA-BS	1	Ballast Tank AFT, Long'l Baffle, Stbd	Y, Flange B-1
BTA-S-P	1	Ballast Tank AFT, Side, Port	Y, Flange B-1- UP ONLY 55 DEGREES
BTA-S-S	1	Ballast Tank AFT, Side, Stbd	Y, Flange B-1- UP ONLY 55 DEGREES
BTA-T	1	Ballast Tank AFT, Top	
BTF-BA-P	1	Ballast Tank FWD, Long'l Baffle, Fwd, Port	Y, Flange B-1
BTF-BA-S	1	Ballast Tank FWD, Long'l Baffle, Fwd, Stbd	Y, Flange B-1
BTF-BB-P	1	Ballast Tank FWD, Long'l Baffle, Aft, Port	Y, Flange B-1
BTF-BB-S	1	Ballast Tank FWD, Long'l Baffle, Aft, Stbd	Y, Flange B-1
BTF-SA-P	1	Ballast Tank FWD, Side Fwd, Port	Y, Flange B-1- UP ONLY 80 DEGREES
BTF-SA-S	1	Ballast Tank FWD, Side Fwd, Stbd	Y, Flange B-1- UP ONLY 80 DEGREES
BTF-SB-P	1	Ballast Tank FWD, Side Aft, Port	Y, Flange B-1- UP ONLY 80 DEGREES
BTF-SB-S	1	Ballast Tank FWD, Side Aft, Stbd	Y, Flange B-1- UP ONLY 80 DEGREES
BTF-T	1	Ballast Tank FWD, Top	
BW-AP	1	Bulwark Plate, Stem to F5, Port	
BW-AS	1	Bulwark Plate, Stem to F5, Stbd	
BW-BP	1	Bulwark Plate, F5 to Stern, Port	
BW-BS	1	Bulwark Plate, F5 to Stern, Stbd	
BWC-AP	1	Bulwark Coaming, Stem to F6, Port	
BWC-AS	1	Bulwark Coaming, Stem to F6, Stbd	
BWC-BP	1	Bulwark Coaming, F6 to Stern, Port	
BWC-BS	1	Bulwark Coaming, F6 to Stern, Stbd	
BWT-AP	1	Bulwark Top, Stem to F4, Port	
BWT-AS	1	Bulwark Top, Stem to F4, Stbd	
BWT-BP	1	Bulwark Top, F4 to Stern, Port	
BWT-BS	1	Bulwark Top, F4 to Stern, Stbd	
F1	1	Frame 1	
F1-BWP	1	Frame 1 at Bulwark, Port	Y, Flange B-1
F1-BWS	1	Frame 1 at Bulwark, Stbd	Y, Flange B-1
F2	1	Frame 2, WTBHD	
F2-BWP	1	Frame 2 at Bulwark, Port	Y, Flange B-1
F2-BWS	1	Frame 2 at Bulwark, Stbd	Y, Flange B-1
F3	1	Frame 3	
F3-BWP	1	Frame 3 at Bulwark, Port	Y, Flange B-1
F3-BWS	1	Frame 3 at Bulwark, Stbd	Y, Flange B-1
F4	1	Frame 4	
F4-BWP	1	Frame 4 at Bulwark, Port	Y, Flange B-1

F4-BWS	1	Frame 4 at Bulwark, Stbd	Y, Flange B-1
F5-BWP	1	Frame 5 at Bulwark, Port	Y, Flange B-1
F5-BWS	1	Frame 5 at Bulwark, Stbd	Y, Flange B-1
F5-UP	1	Frame 5, Upper Port	
F5-US	1	Frame 5, Upper Stbd	
F6-BWP	1	Frame 6 at Bulwark, Port	Y, Flange B-1
F6-BWS	1	Frame 6 at Bulwark, Stbd	Y, Flange B-1
F6-UP	1	Frame 6, upper Port	
F6-US	1	Frame 6, upper Stbd	
F7	1	Frame 7	
F7-BWP	1	Frame 7 at Bulwark, Port	Y, Flange B-1
F7-BWS	1	Frame 7 at Bulwark, Stbd	Y, Flange B-1
F8	1	Frame 8, WTBHD	
F8-BWP	1	Frame 8 at Bulwark, Port	Y, Flange B-1
F8-BWS	1	Frame 8 at Bulwark, Stbd	Y, Flange B-1
F9	1	Frame 9	
TS-AP	1	Topsides, Fwd Port	
TS-AS	1	Topsides, Fwd Stbd	
TS-BP	1	Topsides, Aft Port	
TS-BS	1	Topsides, Aft Stbd	
	57	Sub Total	

1/4" Parts- 5083/5086

<u>Part #</u>	<u>Pieces</u>	<u>Description</u>
B-AP	1	Bottom Plate, Fwd Port
B-AS	1	Bottom Plate, Fwd Stbd
B-BP	1	Bottom Plate, Aft Port
B-BS	1	Bottom Plate, Aft Stbd
BS-1P	1	Bottom Stringer 1, Keel to F2, Port
BS-1S	1	Bottom Stringer 1, Keel to F2, Stbd
BS-2AP	1	Bottom Stringer 2, Keel to F4, Port
BS-2AS	1	Bottom Stringer 2, Keel to F4, Stbd
BS-2CP	1	Bottom Stringer 2, F7 to Girder, Port
BS-2CS	1	Bottom Stringer 2, F7 to Girder, Stbd
BS-3AP	1	Bottom Stringer 3, Stem to F8, Port
BS-3AS	1	Bottom Stringer 3, Stem to F8, Stbd
BS-3BP	1	Bottom Stringer 3, F8 to Girder, Port
BS-3BS	1	Bottom Stringer 3, F8 to Girder, Stbd
SDS-A	2	Side Deck Stiffener, Intercostal, F3-F4
SDS-B	2	Side Deck Stiffener, Intercostal, F4-F5
SDS-C	2	Side Deck Stiffener, Intercostal, F5-F6
SDS-D	2	Side Deck Stiffener, Intercostal, F6-F7
TC-AP	1	Trip Chine, Fwd, Port
TC-BP	1	Trip Chine, Mid, Port
TC-BP	1	Trip Chine, Aft, Port
TC-BS	1	Trip Chine, Aft, Stbd
TCES-AP	1	Trip Chine Edge Stringer F1-F4 Port
TCES-AS	1	Trip Chine Edge Stringer F1-F4 Stbd
TCES-BP	1	Trip Chine Edge Stringer, F4 to Girder aft, Port
TCES-BS	1	Trip Chine Edge Stringer, F4 to Girder aft, Stbd
TCS-AP	1	Trip Chine Stringer F1-F8, Port
TCS-AS	1	Trip Chine Stringer F1-F8, Stbd
TCS-BP	1	Trip Chine Stringer, F9-Keel aft, Port
TCS-BS	1	Trip Chine Stringer, F9-Keel aft, Stbd
TSS-1P	1	Lower Topside Stringer, Stem to F1, Port
TSS-1S	1	Lower Topside Stringer, Stem to F1, Stbd

TSS-AP	1	Topside Stringer, Fwd, Stem to F7, Port
TSS-AS	1	Topside Stringer, Fwd, Stem to F7, Stbd
TSS-BP	1	Topside Stringer, Aft, F7 to F9, Port
TSS-BS	1	Topside Stringer, Aft, F7 to F9, Stbd
TSS-DP	1	Topside Stringer- AT DECK LEVEL, F9 to Keel at Stern, Port
TSS-DS	1	Topside Stringer- AT DECK LEVEL, F9 to Keel at Stern, Stbd
	42	Sub Total

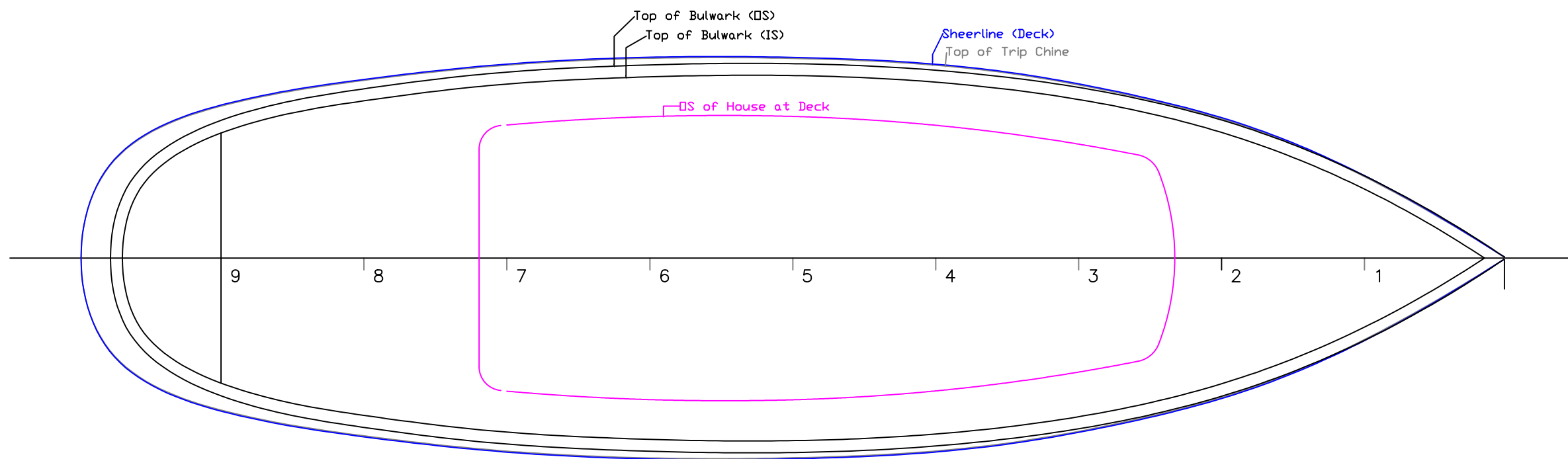
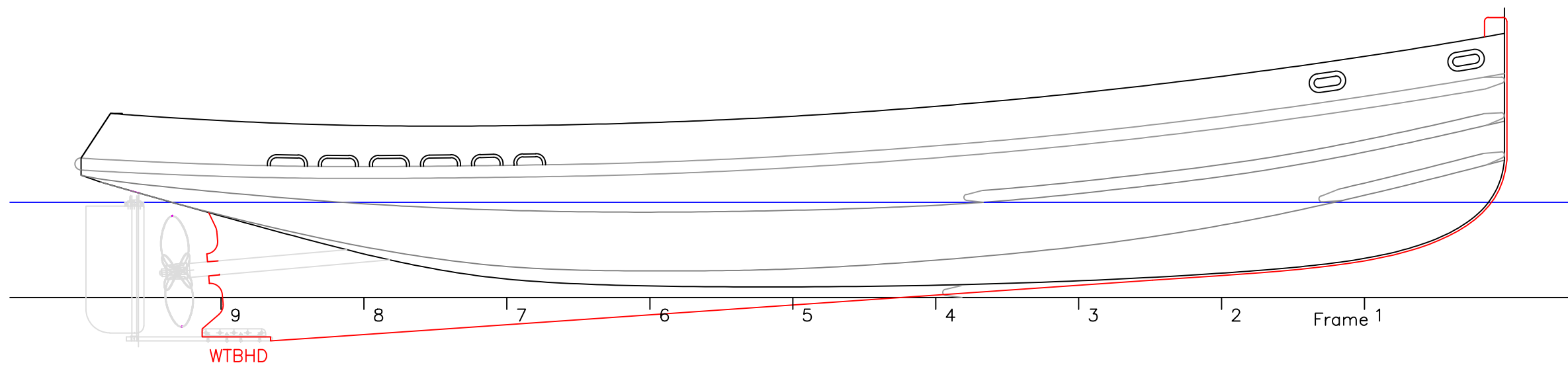
1/2" Parts, 5083/5086

<u>Part #</u>	<u>Pieces</u>	<u>Description</u>
BS-2BP	1	Bottom Stringer 2, F4-F7, Port
BS-2BS	1	Bottom Stringer 2, F4-F7, Stbd
F5-B	1	Frame 5, Bottom
F6-B	1	Frame 6, Bottom
G-A	2	Girder, F3-F4
G-B	2	Girder, F4-F8
G-C	2	Girder, F8-Transom
G-D	2	Girder Flange
G-E	1	Girder Thrust Bearing Plate
K-A	1	Keel, Stem
K-B	1	Keel, Fwd
K-C	1	Keel, Aft
K-D	1	Keel, Deck CL Fwd
	17	Sub Total
	122	Total Cut Parts

Separate Parts to Bob Porter

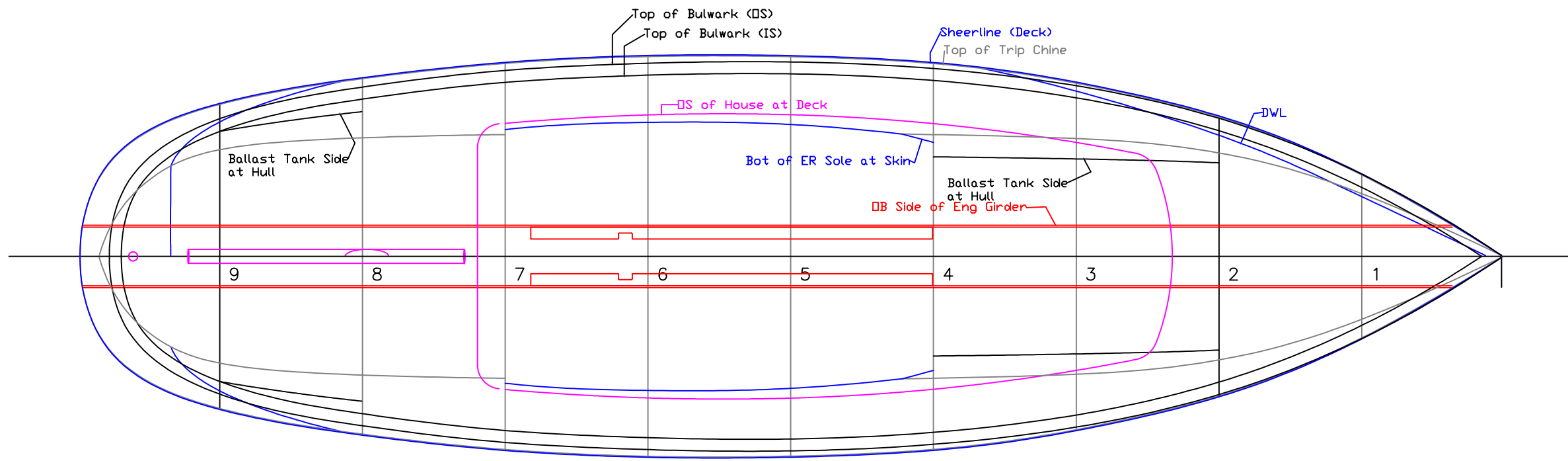
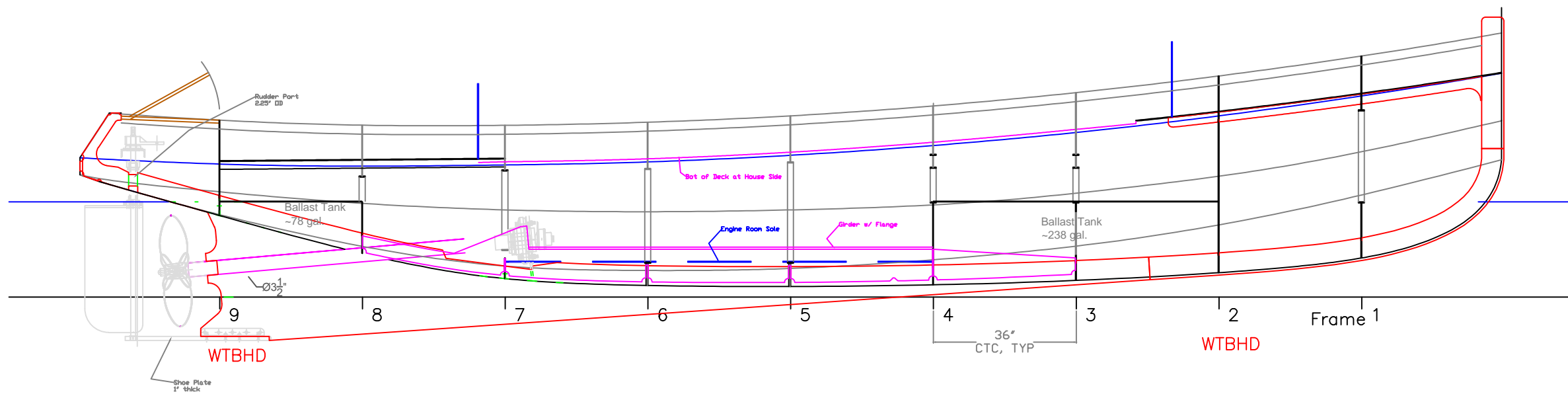
3/4" Plate

FP-1	4	Freeing Port, Fwd
FP-2	8	Freeing Port, Aft
HP	4	Hawse Pipe
	16	Sub Total



HULL OB PROFILE & PLAN		
RR TUG 30'x8'6"		
SCALE 3/8"=1'	DESIGNER WAL/JCC	DATE 11/9/15
Response Marine, Inc. Newburyport, MA, www.responsemarine.com		REV. DWG. NO. 479-1-1

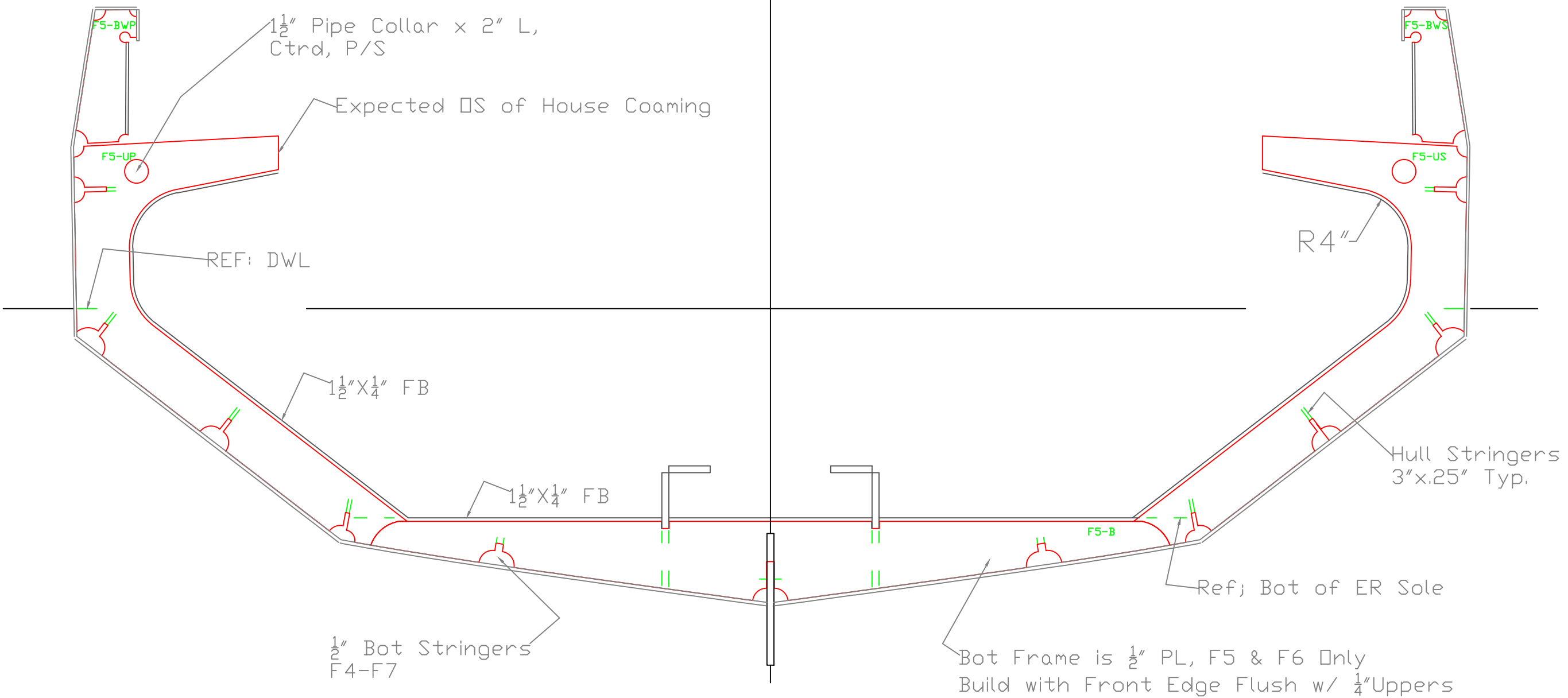
REV.	DESCRIPTION



HULL IB PROFILE & PLAN		
RR TUG 30'x8'6"		
SCALE 3/8"=1'	DESIGNER WAL/JCC	DATE 11/9/15
Response Marine, Inc. Newburyport, MA, www.responsemarine.com		REV DWG. NO. 479-1-2

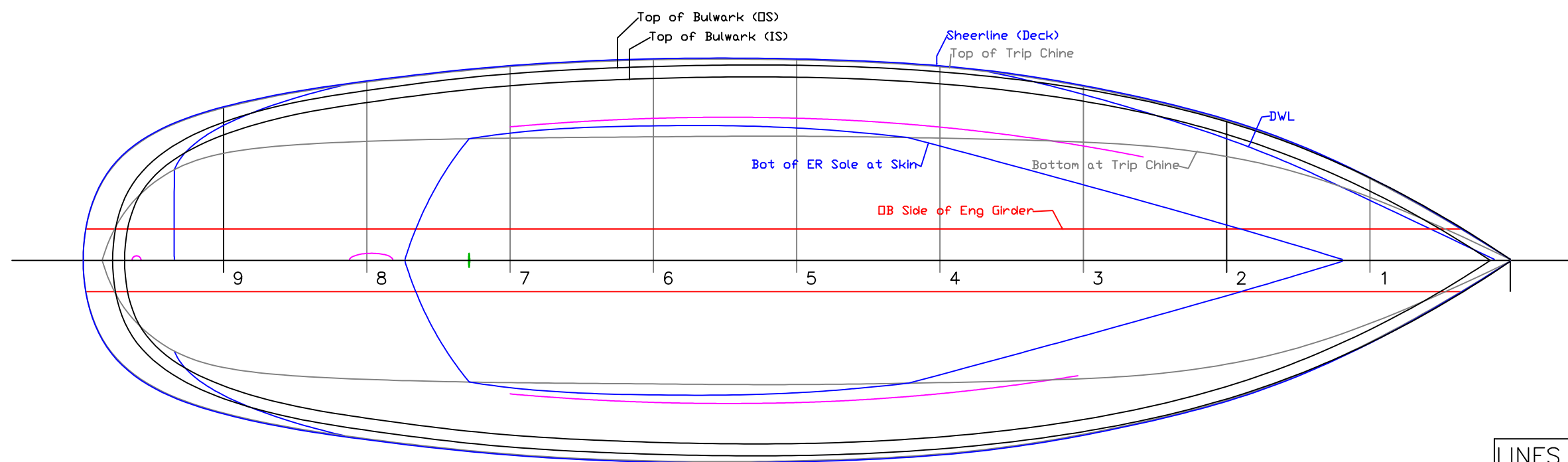
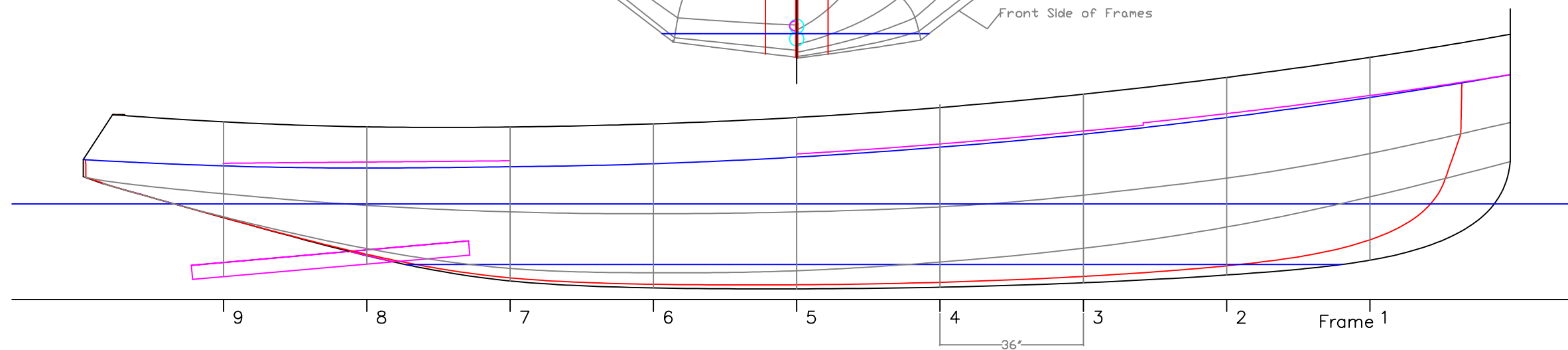
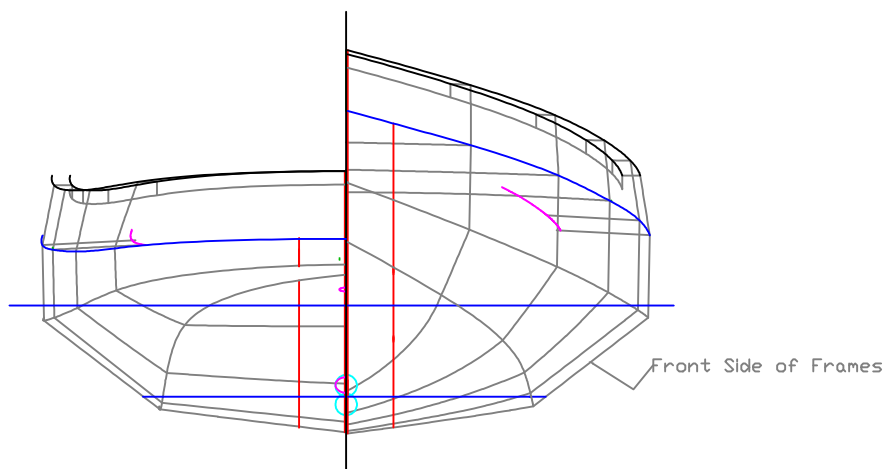
REV.	DESCRIPTION

Typ. Section
Frame 5



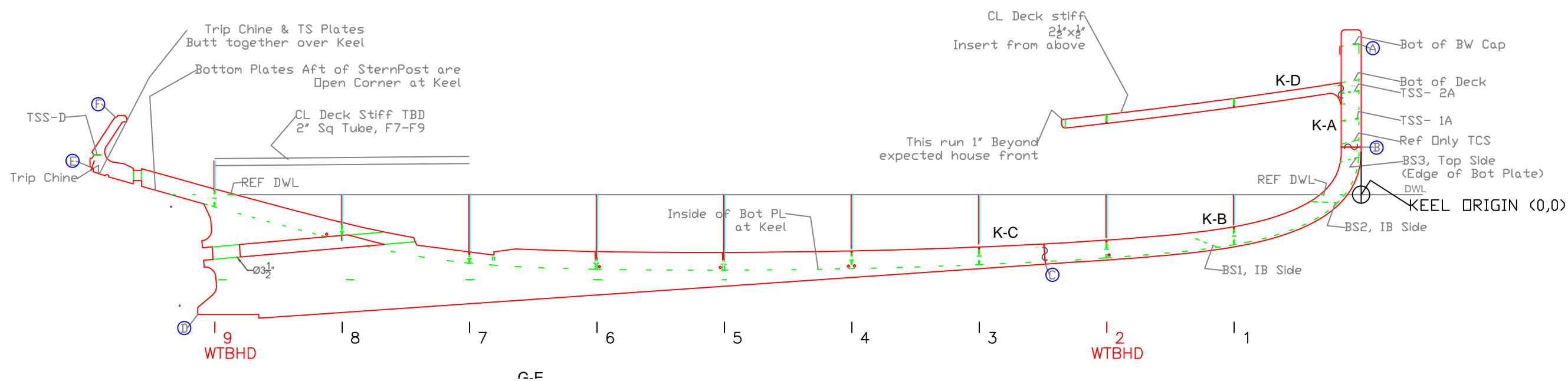
TYPICAL SECTION		
RR TUG 30'x8'6"		
SCALE 1 1/2"=1'	DESIGNER WAL/JCC	DATE 9/29/15
Response Marine, Inc. Newburyport, MA, www.responsemarine.com		DWG. NO. 479-1-3

REV.	DESCRIPTION



LINES PLAN- Frames		
RR TUG 30'x8'6"		
SCALE 3/8"=1'	DESIGNER WAL/JCC	DATE 9/29/15
Response Marine, Inc. Newburyport, MA, www.responsemarine.com		REV. NO. 479-1-4

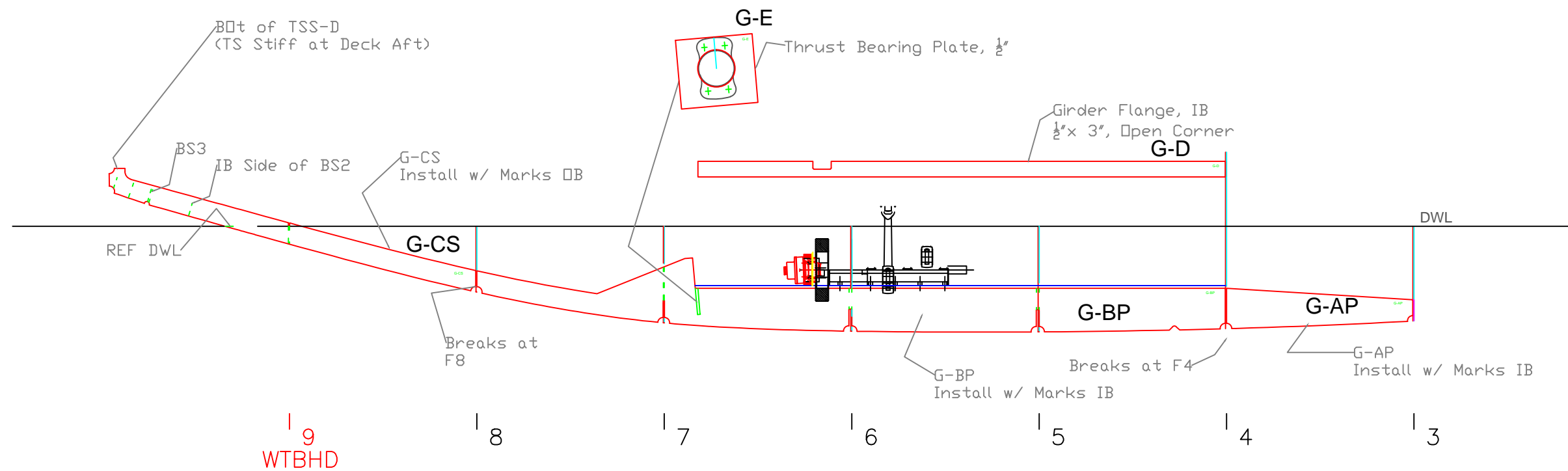
REV.	DESCRIPTION



KEEL POINTS									
#479, Shepards 30' Tug									
Response Marine, Inc.		9/18/15							
Inches- sixteenths		ALIGNED (Inches-sixteenths)							
Horizontal		Vertical		A	B	C	D	E	F
A to Origin									
B to Origin									
C to Origin									
D to Origin									
E to Origin									
F to Origin									

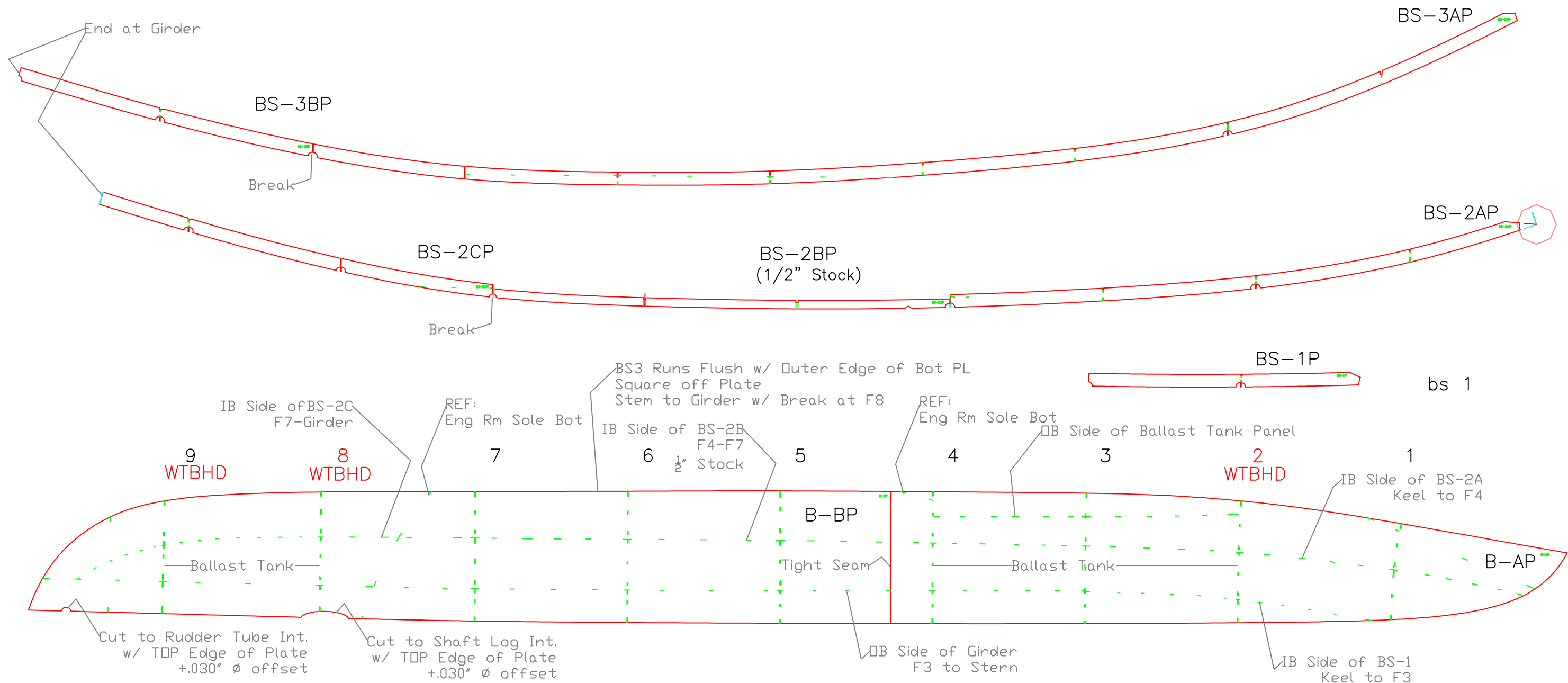
KEEL LAYOUT		
RR TUG 30'x8'6"		
SCALE 3/8"=1'	DESIGNER WAL/JCC	DATE 9/18/15
Response Marine, Inc.		REV
Newburyport, MA, www.responsemarine.com		DWG. NO. 479-2-1

REV.	DESCRIPTION



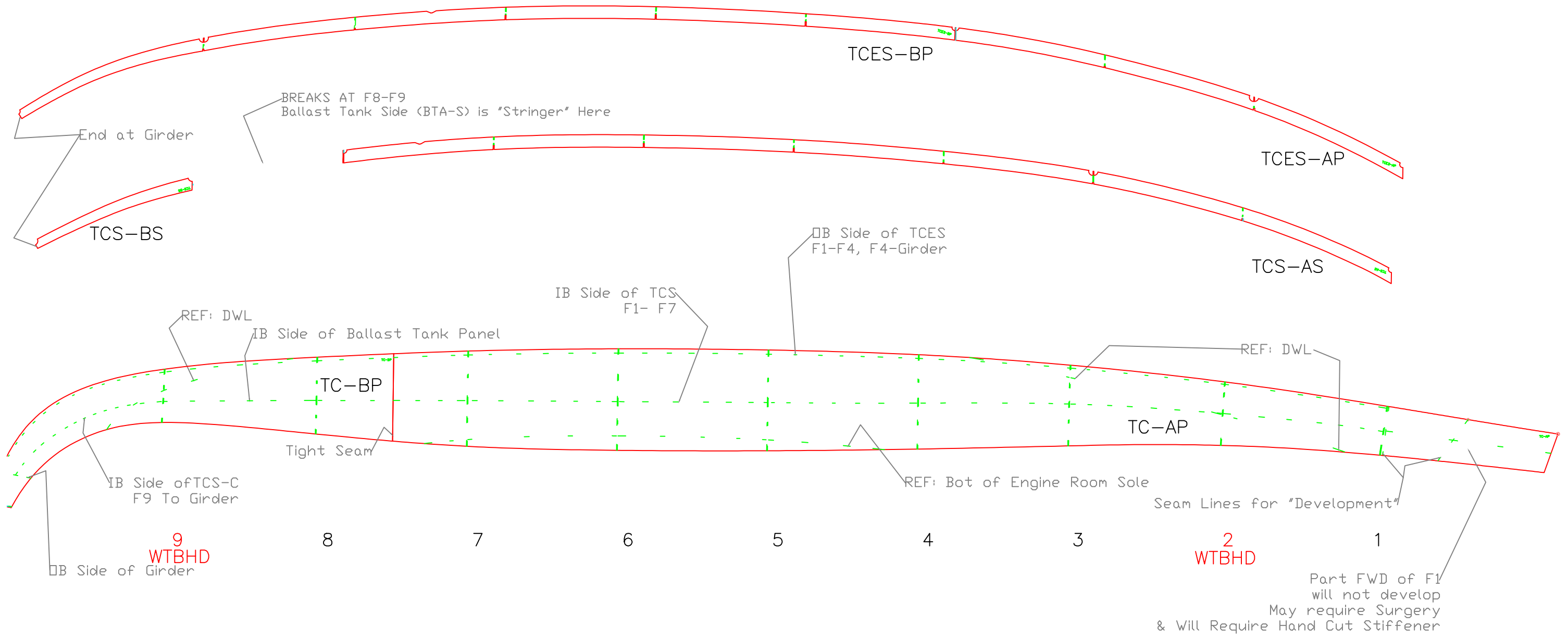
GIRDER LAYOUT		
RR TUG 30'x8'6"		
SCALE 1/2"=1'	DES/DWN WAL/JCC	DATE 9/18/15
Response Marine, Inc. Newburyport, MA, www.responsemarine.com		DWG. NO. 479-2-2

REV.	DESCRIPTION



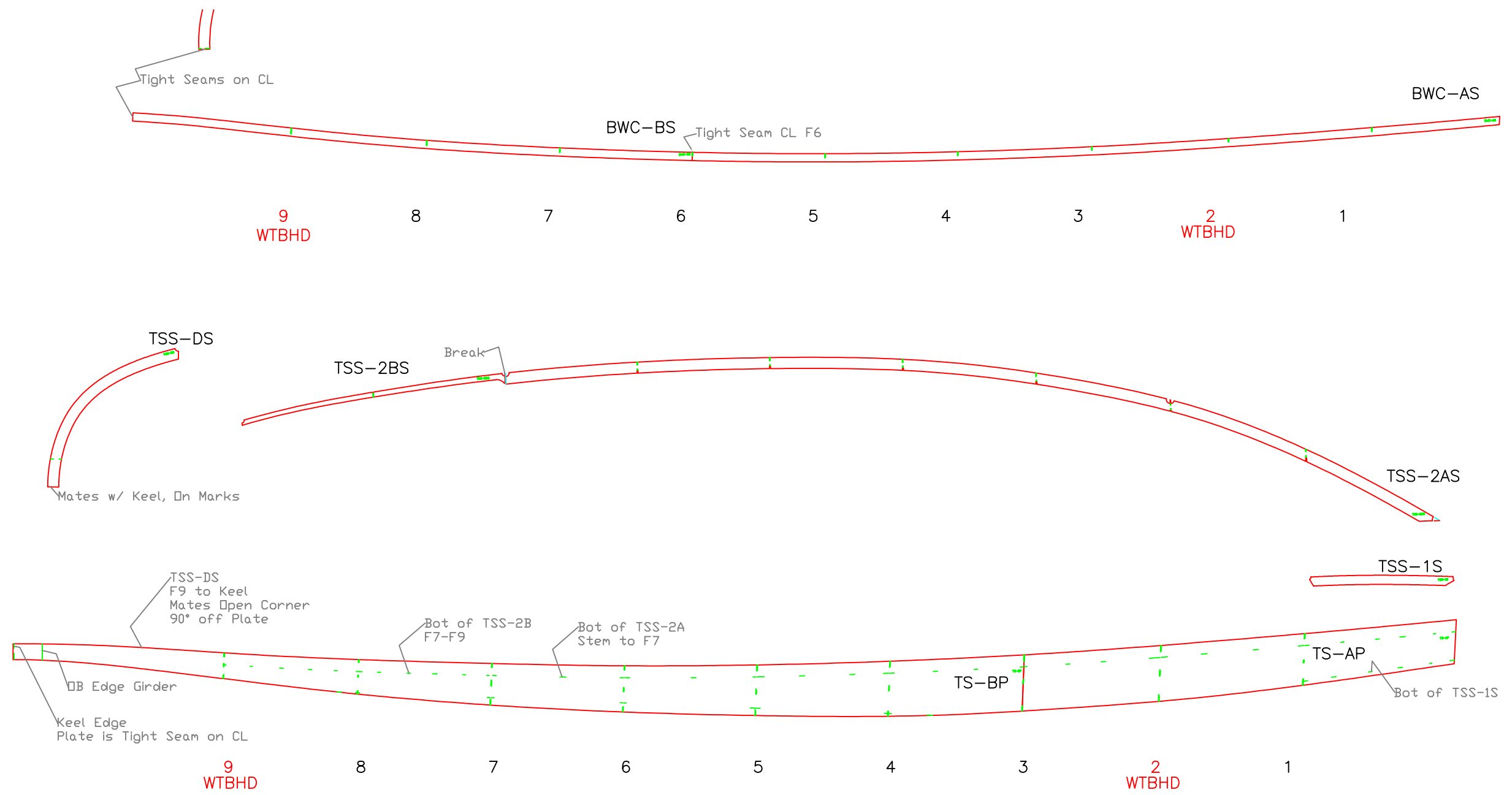
BOTTOM LAYOUT		
RR TUG 30'x8'6"		
SCALE 1/2"=1'	DESIGNER WAL/JCC	DATE 9/18/15
Response Marine, Inc. Newburyport, MA, www.responsemarine.com		REV DWS INC 479-2-3

REV	DESCRIPTION



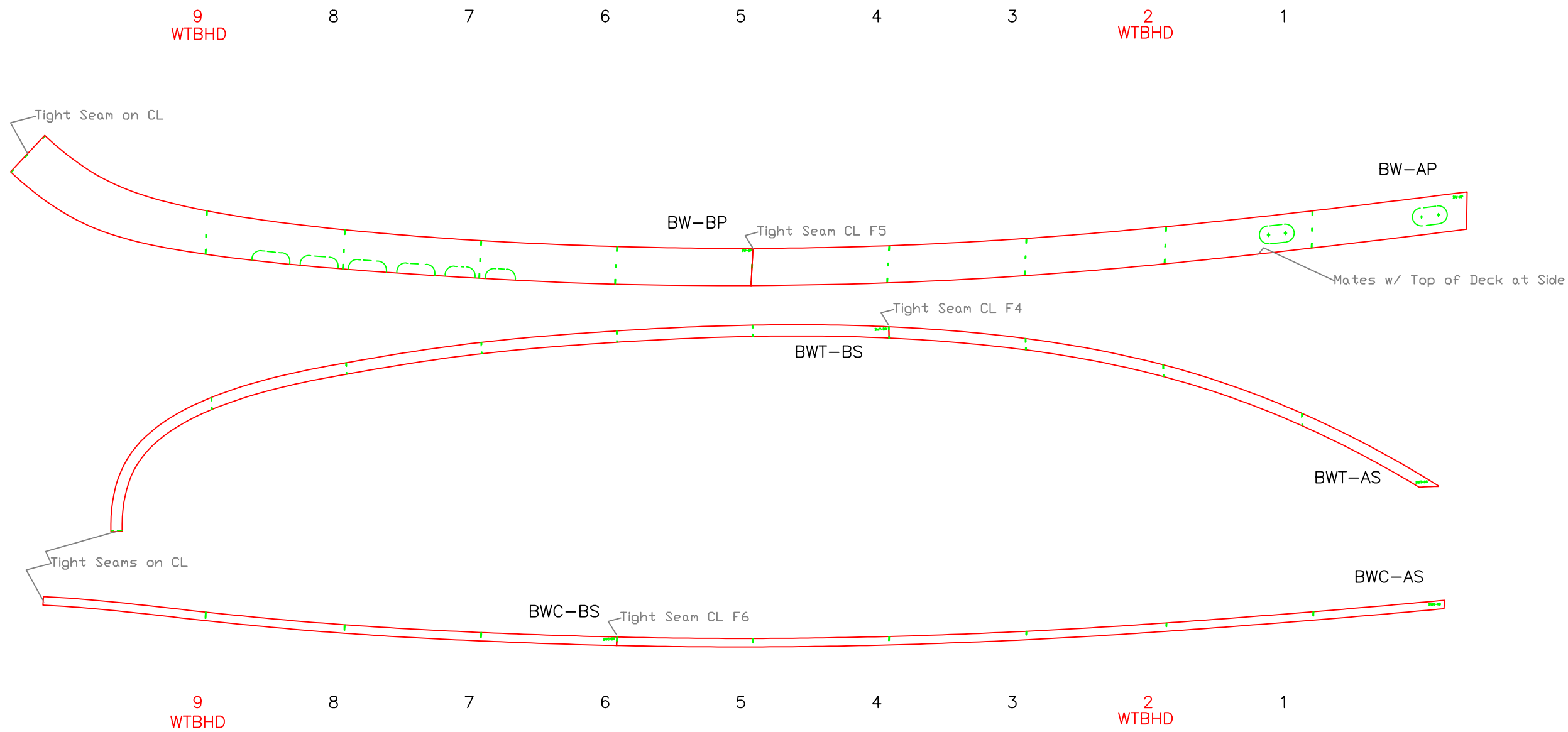
TRIP CHINE LAYOUT		
RR TUG 30'x8'6"		
SCALE 1/2"=1'	DES/DWN WAL/JCC	DATE 9/18/15
Response Marine, Inc. Newburyport, MA, www.responsemarine.com		REV DWS INC 479-2-4

REV	DESCRIPTION



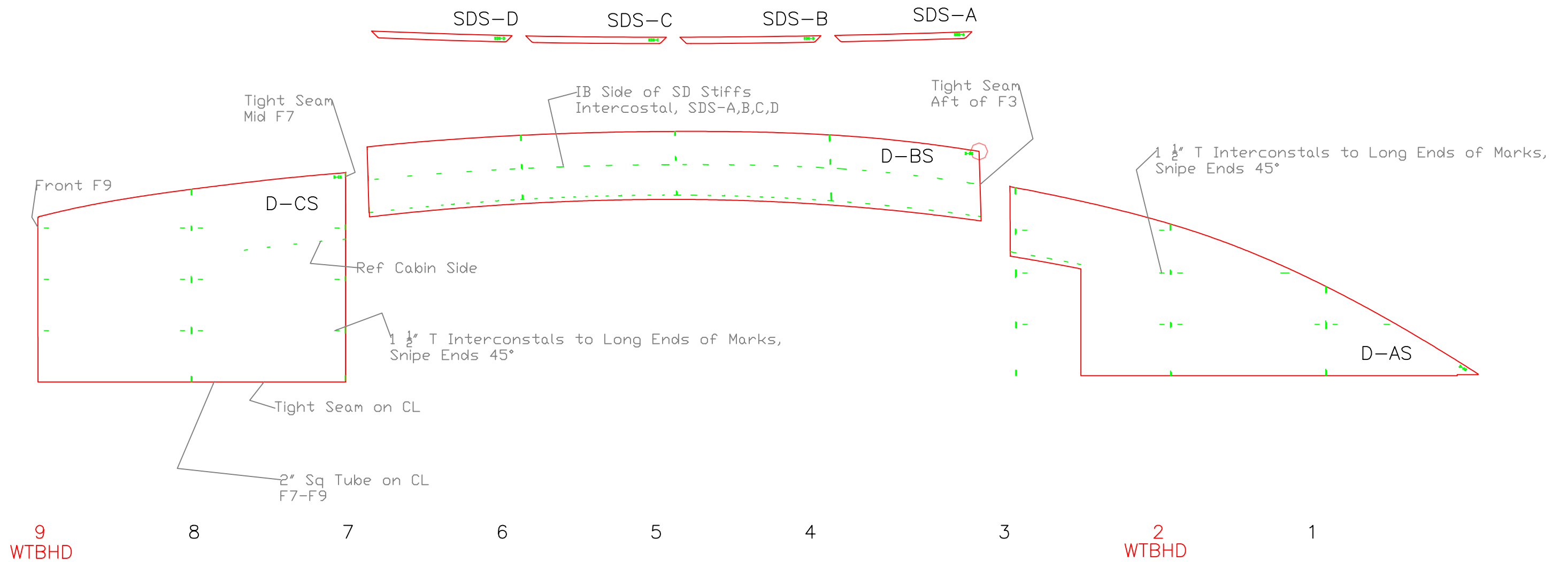
TOPSIDES LAYOUT		
RR TUG 30'x8'6"		
SCALE 3/8"=1'	DESIGNER WAL/JCC	DATE 9/18/15
Response Marine, Inc. Newburyport, MA, www.responsemarine.com		REV DWG NO. 479-2-5

REV	DESCRIPTION



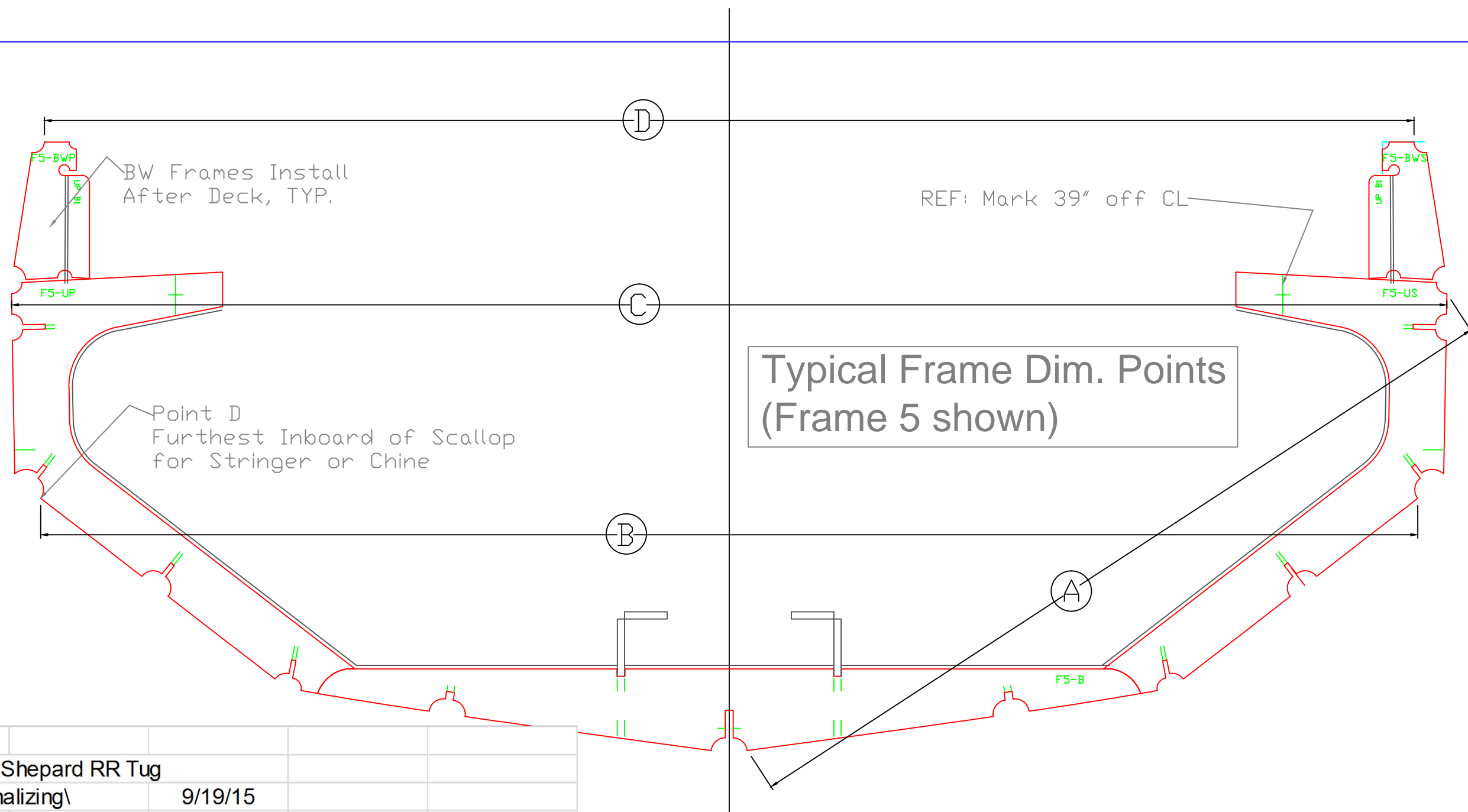
BULWARK LAYOUT		
RR TUG 30'x8'6"		
SCALE 3/8"=1'	DESIGNER WAL/JCC	DATE 9/18/15
Response Marine, Inc. Newburyport, MA, www.responsemarine.com		DWG. NO. 479-2-6

REV.	DESCRIPTION



DECK LAYOUT		
RR TUG 30'x8'6"		
SCALE 1/2"=1'	DESIGNER WAL/JCC	DATE 9/18/15
Response Marine, Inc. Newburyport, MA, www.responsemarine.com		REV DWG. NO. 479-2-7

REV	DESCRIPTION



Typical Frame Dim. Points
(Frame 5 shown)

FRAME DIMENSIONS				
Response Marine # 479, Shepard RR Tug				
File: RMides\Shepard\Finalizing\ 9/19/15				
	Inches- sixteenths			
	A	B	C	D
F1				
F2				
F3				
F4				
F5				
F6				
F7				
F8				
F9				

FRAME DIMENSIONS		
RR TUG 30'x8'6"		
SCALE 1 1/2"=1'	DESIGNER WAL/JCC	DATE 9/18/15
Response Marine, Inc. Newburyport, MA, www.responsemarine.com		REV DWG. NO. 479-FR

REV	DESCRIPTION