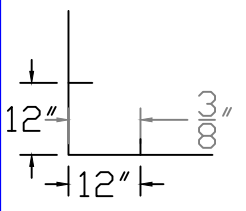
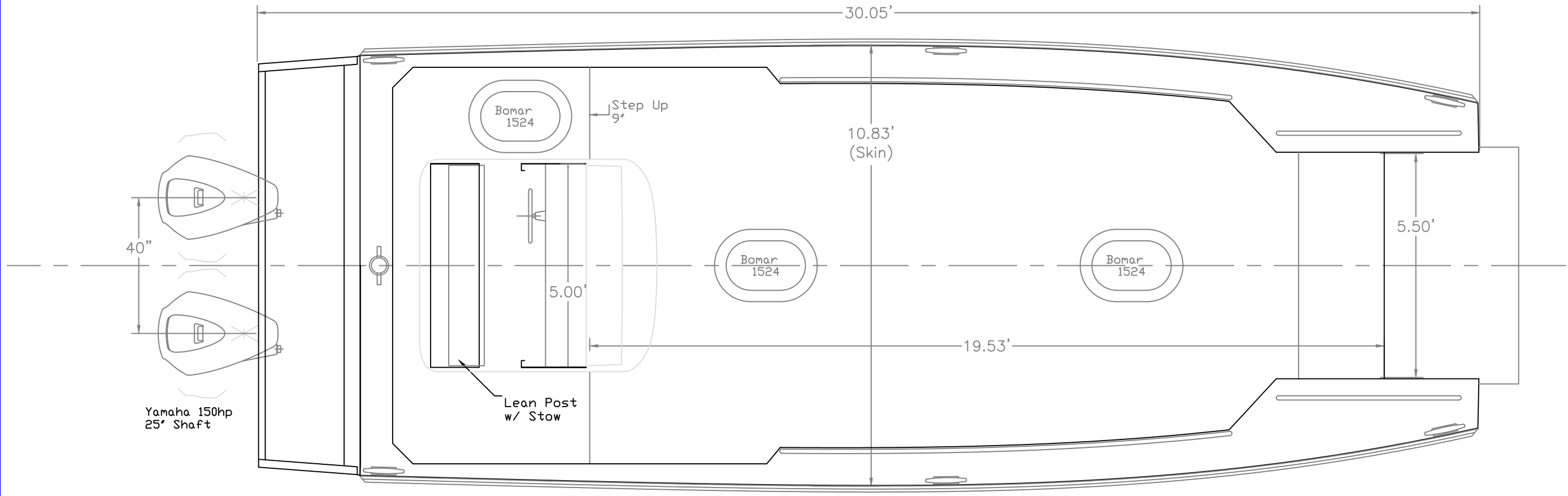
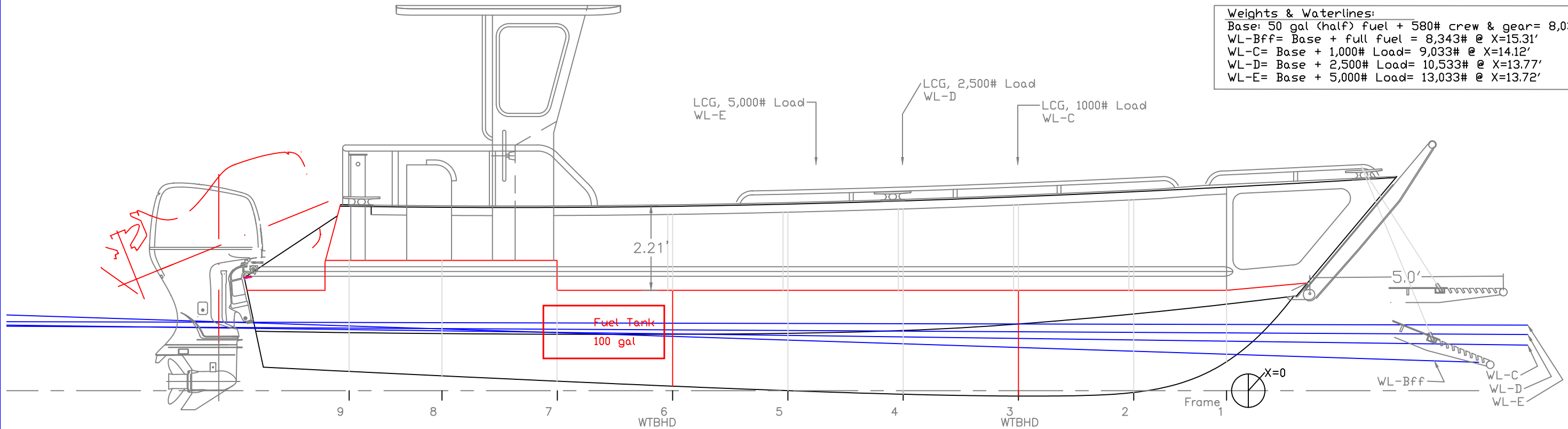


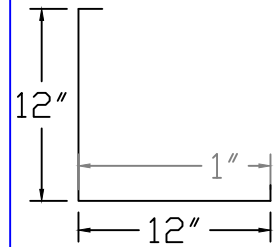
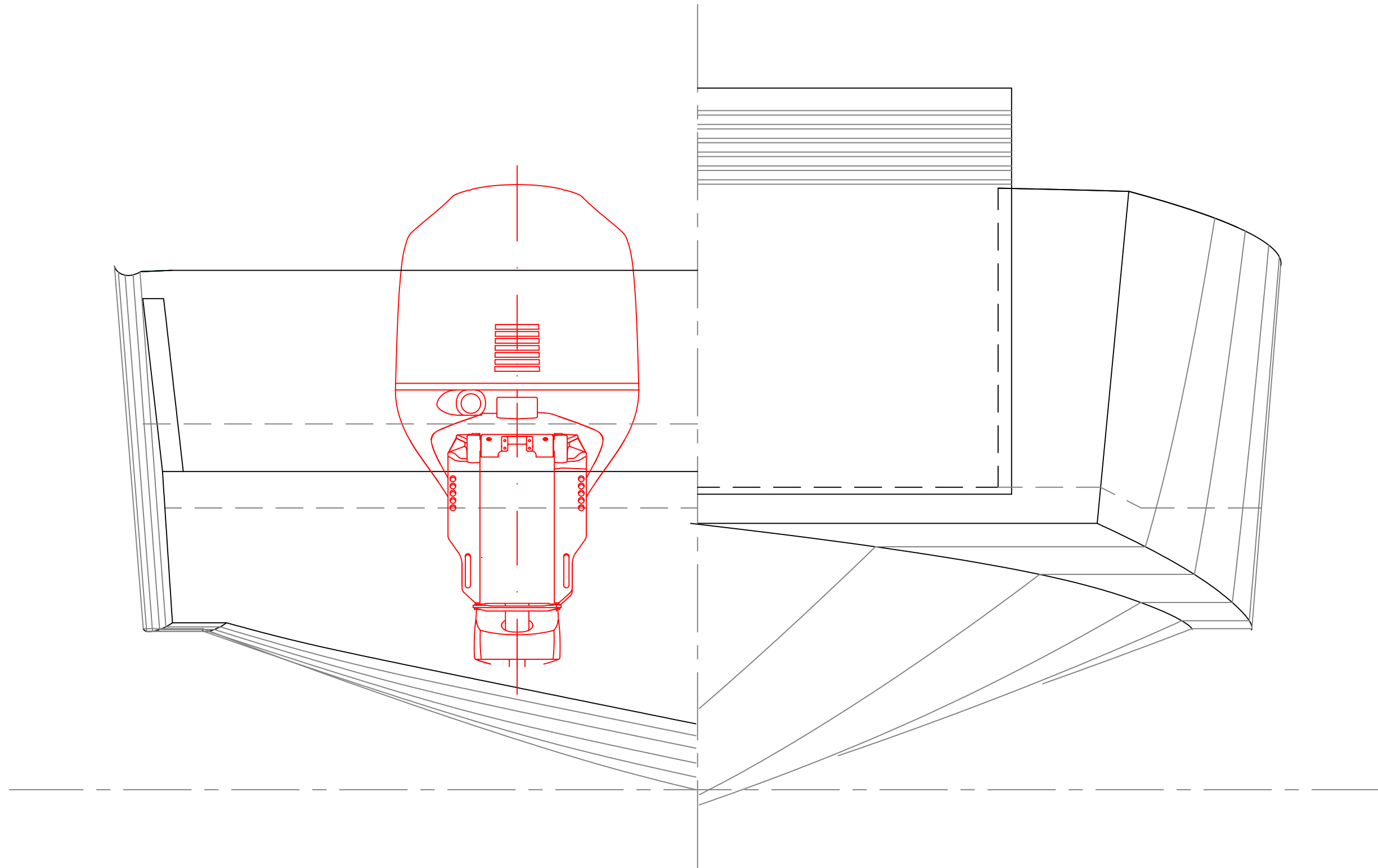
Weights & Waterlines:
 Base: 50 gal (half) fuel + 580# crew & gear = 8,033# @ X=15.26'
 WL-Bff= Base + full fuel = 8,343# @ X=15.31'
 WL-C= Base + 1,000# Load= 9,033# @ X=14.12'
 WL-D= Base + 2,500# Load= 10,533# @ X=13.77'
 WL-E= Base + 5,000# Load= 13,033# @ X=13.72'



This drawing and referenced information represent the intellectual property of Response Marine, Inc. Use, reproduction, or transmittal of drawings and referenced NC part files requires pre-payment of licensing fee to Response Marine, Inc. Construction of each boat and component fabrication are licensed on a per boat basis, and require proof of payment for each unit built, prior to construction. Possession of this drawing and referenced information does not constitute the right to use. Proper boat construction and outfitting requires knowledge and expertise beyond the scope of this, and other, drawings, and this knowledge and expertise is the sole responsibility of the builder.

REV.	DESCRIPTION

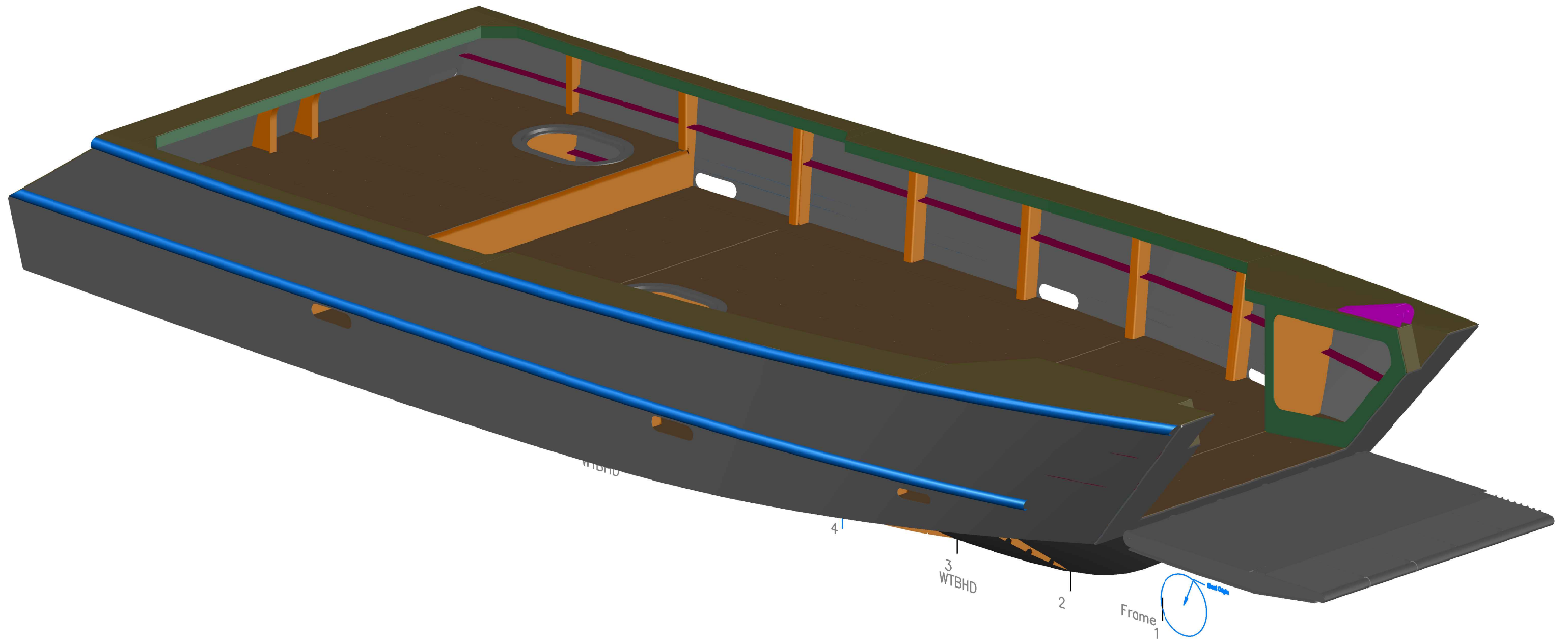
PROFILE & PLAN		
30'x11' Landing Craft		
SCALE 1/2" = 1'	DES/DWN WAL	DATE 10/27/22
Response Marine, Inc.		REV
Newburyport, MA, www.responsemarine.com		DWG NO. 632-1-1



This drawing and referenced information represent the intellectual property of Response Marine, Inc. Use, reproduction, or transmittal of drawings and referenced NC part files requires pre-payment of licensing fee to Response Marine, Inc. Construction of each boat and component fabrication are licensed on a per boat basis, and require proof of payment for each unit built, prior to construction. Possession of this drawing and referenced information does not constitute the right to use. Proper boat construction and outfitting requires knowledge and expertise beyond the scope of this, and other, drawings, and this knowledge and expertise is the sole responsibility of the builder.

REV.	DESCRIPTION

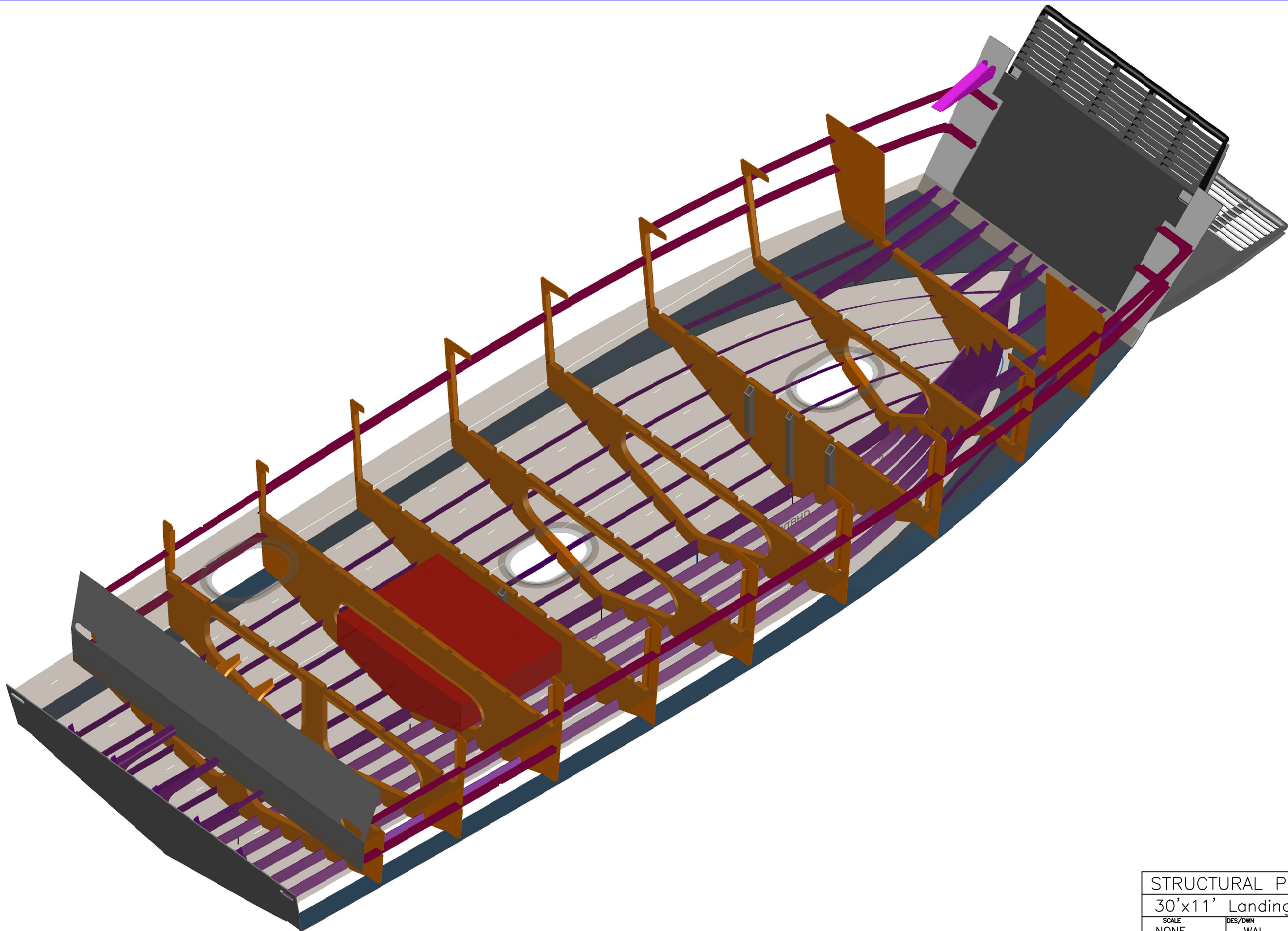
END VIEWS		
30'x11' Landing Craft		
SCALE 1" = 1'	DES/DWN WAL	DATE 10/27/22
Response Marine, Inc.		REV
Newburyport, MA, www.responsemarine.com		DWG NO. 632-1-2



This drawing and referenced information represent the intellectual property of Response Marine, Inc. Use, reproduction, or transmittal of drawings and referenced NC part files requires pre-payment of licensing fee to Response Marine, Inc. Construction of each boat and component fabrication are licensed on a per boat basis, and require proof of payment for each unit built, prior to construction. Possession of this drawing and referenced information does not constitute the right to use. Proper boat construction and outfitting requires knowledge and expertise beyond the scope of this, and other, drawings, and this knowledge and expertise is the sole responsibility of the builder.

REV.	DESCRIPTION

FWD PERSPECTIVE		
30'x11' Landing Craft		
SCALE NONE	DES/DWN WAL	DATE 10/27/22
Response Marine, Inc.		REV
Newburyport, MA, www.responsemarine.com		DWG NO. 632-1-4



This drawing and referenced information represent the intellectual property of Response Marine, Inc. Use, reproduction, or transmittal of drawings and referenced NC part files requires pre-payment of licensing fee to Response Marine, Inc. Construction of each boat and component fabrication are licensed on a per boat basis, and require proof of payment for each unit built, prior to construction. Possession of this drawing and referenced information does not constitute the right to use. Proper boat construction and outfitting requires knowledge and expertise beyond the scope of this, and other, drawings, and this knowledge and expertise is the sole responsibility of the builder.

REV.	DESCRIPTION

STRUCTURAL PERSPECTIVE		
30'x11' Landing Craft		
SCALE NONE	DES/DWN WAL	DATE 10/27/22
Response Marine, Inc.		REV
Newburyport, MA, www.responsemarine.com		DWG NO. 632-1-5