

Note: Dimensions are to Inside of Skin

PLAN & PROFILE
20'x7' WORKBOAT

For: Chester Marina

SCALE 1/2" = 1'	DES/DWN WAL	DATE 7/12/09
--------------------	----------------	-----------------

Response Marine, Inc.		SHEET
Newburyport, MA, www.responsemarine.com	DWG NO.	336-1

REV.	DESCRIPTION

DRAWING LIST

Delivered	Design	Dwg	Description	Date
Chester 18-20 FBWB w/ PODS				
	336	P-1	PROFILE & PLAN, Prelim	6/15/09
	336	-1	PROFILE & PLAN	7/12/09
		-2-1	Bottom Layout	7/10/09
		-2-2	Side & Side Decks	7/10/09
		-2-3	Transom	7/10/09
		-2-4	Bow	7/10/09
		-2-5	Cockpit Deck	7/10/09
		-4-1	Console	7/11/09
		-B-1	Flange Bending	7/11/09
		-F-1	Frame 1	7/11/09
		-F-2	Frame 2	7/11/09
		-F-3	Frame 3	7/11/09
		-F-4	Frame 4	7/11/09

NC Parts

Response Marine, Inc. Plaz Parts for #336, Chester 20' FBWB w/ Pods
 File: Chester 18-20 w Pods

7/12/2009
 Print Date: 7/12/2009

1/4" Parts- 5086 H116

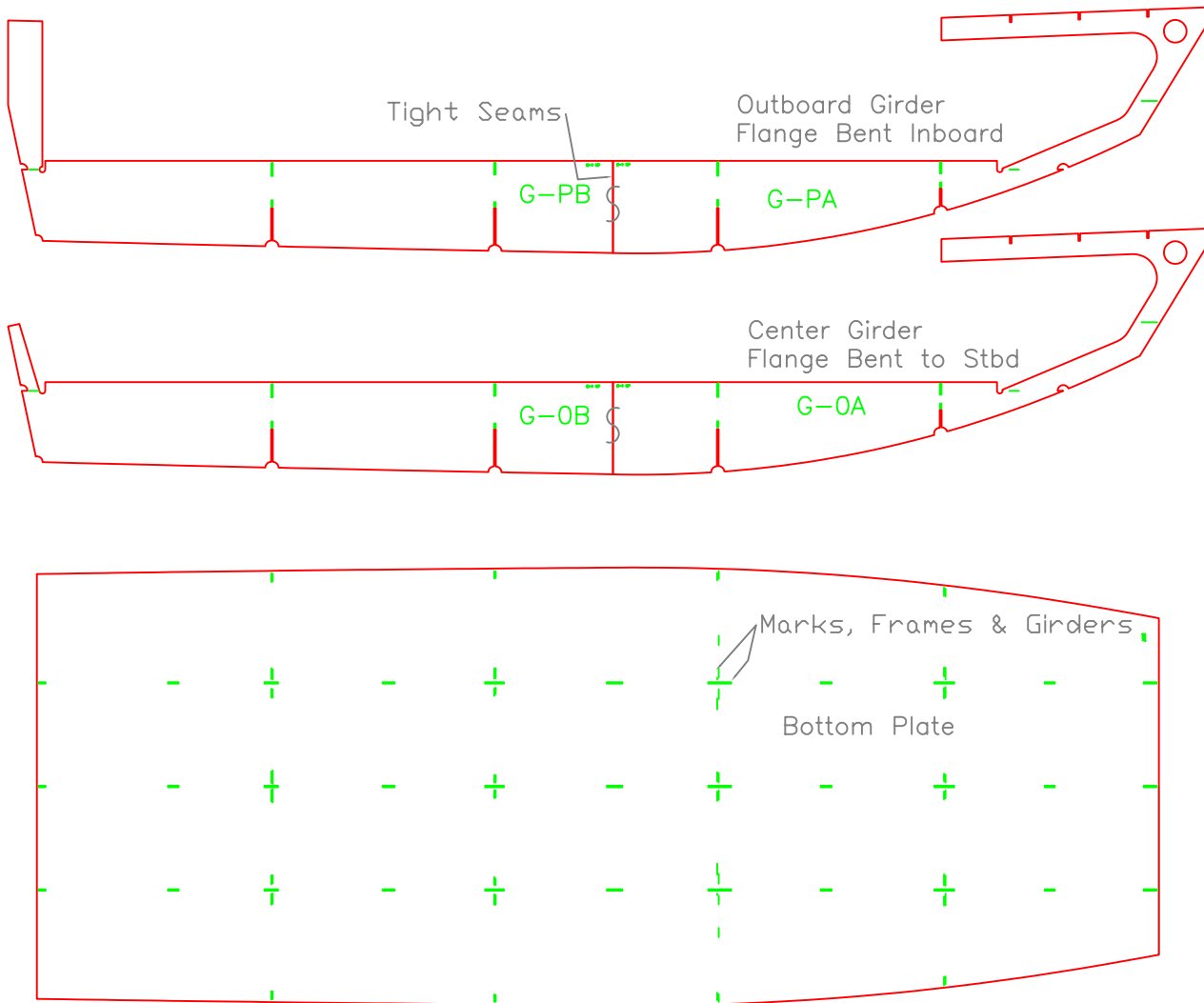
<u>Part #</u>	<u>Pieces</u>	<u>Description</u>	<u>BEND</u>
BOT	1	Bottom	
BOW	1	Bow	
DA-P	1	Deck Fwd, Port, F1-Bow	
DA-S	1	Deck Fwd, Stbd, F1-Bow	
DB-A	1	Deck Body, F1-F3	
DB-B	1	Deck Body, F3-Tran	
DM-P	1	Deck Margin, Port, F1-Tran	
DM-S	1	Deck Margin, Stbd, F1-Tran	
F1	1	Frame 1	Flange, B-1
F1-D	1	Frame 1, Insert above Flange	
F1-U	1	Frame 1, Upper	
F2	1	Frame 2	Flange, B-1
F2-P	1	Frame 2 Upper, Port	Flange, B-1
F2-S	1	Frame 2 Upper, Stbd	Flange, B-1
F3	1	Frame 3	Flange, B-1
F3-P	1	Frame 3 Upper, Port	Flange, B-1
F3-S	1	Frame 3 Upper, Stbd	Flange, B-1
F4	1	Frame 4	Flange, B-1
F4-P	1	Frame 4, Upper, Port	Flange, B-1
F4-S	1	Frame 4, Upper, Stbd	Flange, B-1
FD	1	Foredeck	
FD-1	1	Foredeck Frame, Fwd	
FD-2	1	Foredeck Frame, Mid	
FD-3	1	Foredeck Frame, Aft	
G0-A	1	Girder, CL, fwd, F1-Stem	Flange, B-1
G0-B	1	Girder, CL, mid, F4-F1	Flange, B-1
G-PA	1	Girder, Port fwd	Flange, B-1
G-PB	1	Girder, Port aft	Flange, B-1
G-SA	1	Girder, Stbd fwd	Flange, B-1
G-SB	1	Girder, Stbd aft	Flange, B-1
PB	2	Pod Bottom	

NC Parts

PS	2	Pod Side, Inboard	
PT	2	Pod Transom	BUMP, 2 deg at lines & halfway between lines. Match bottom edge to PB
SD	2	Side Deck	
SDC	2	Side Deck Coaming	
TD	2	Transom Deck	
TDC	2	Transom Deck Coaming	
TL	1	Transom Lip	
TR	1	Transom	1, as Marked 1/2" IS Radius for 5086
TSL-AP	1	TSL, F1-Bow, Port	
TSL-AS	1	TSL, F1-Bow, Stbd	
TSL-BP	1	TSL, F1-F3, Port	Flange, B-1
TSL-BS	1	TSL, F1-F3, Stbd	Flange, B-1
TSL-CP	1	TSL, F3-Tran, Port	Flange, B-1
TSL-CS	1	TSL, F3-Tran, Stbd	Flange, B-1
TSL-DP	1	TSL, Pod, Port	
TSL-DS	1	TSL, Pod, Stbd	
TS-P	1	Topsides, Port	
TS-S	1	Topsides, Starboard	
	56	Sub Total	

3/16" Parts- 5052

<u>Part #</u>	<u>Pieces</u>	<u>Description</u>	<u>BEND</u>
C-AP	1	Console Side, Port	
C-AS	1	Console Side, Stbd	
C-B	1	Console Back	1, as Marked, Tight (~1/4") Inside Radius on 5052
C-F	1	Console Front	1, as Marked, Tight (~1/4") Inside Radius on 5052
C-S	1	Console Seat	1, as Marked, Tight (~1/4") Inside Radius on 5052
C-T	1	Console Top	2, as Marked, Tight (~1/4") Inside Radius on 5052
	6	Sub Total	
	62	Total Cut Parts	



Bottom Layout

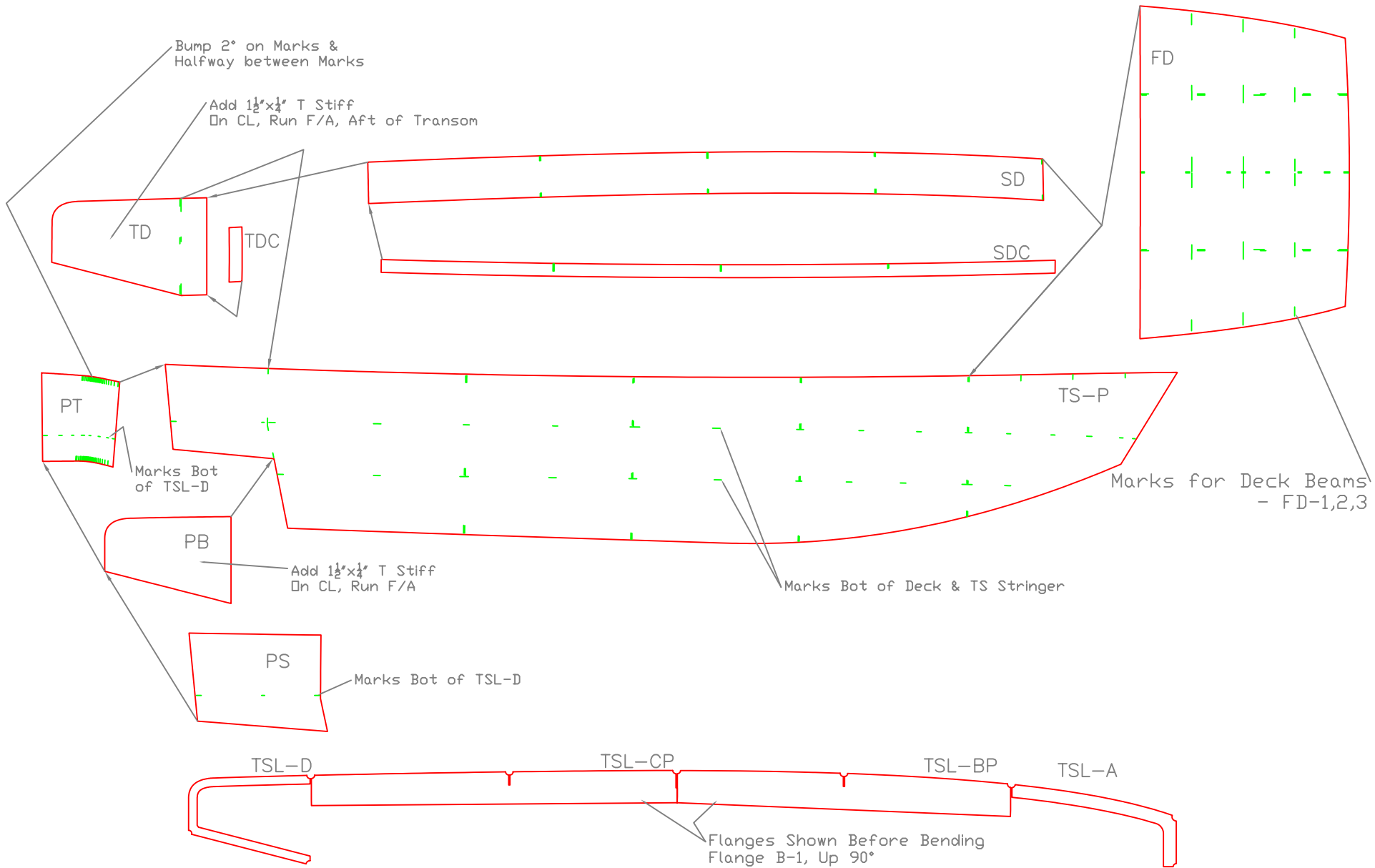
20'x7' WORKBOAT

For: Chester Marina

SCALE 3/8" = 1'	DES/DWN WAL	DATE 7/10/09
--------------------	----------------	-----------------

Response Marine, Inc.	SHEET
Newburyport, MA, www.responsemarine.com	DWG NO. 336-2-1

REV.	DESCRIPTION



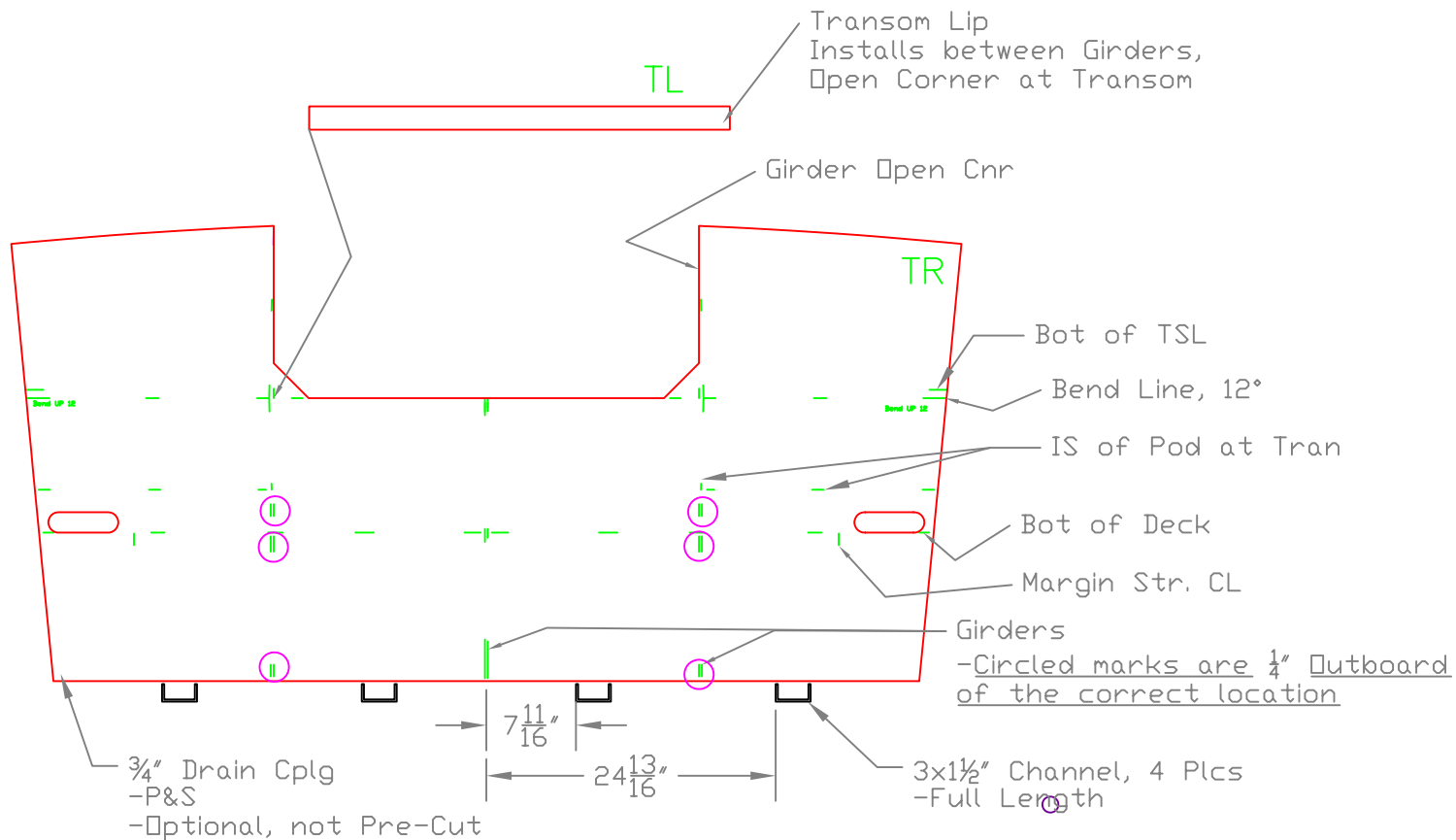
Side & Side Decks

20'x7' WORKBOAT

For: Chester Marina

SCALE 3/8" = 1'	DES/DWN WAL	DATE 7/10/09
Response Marine, Inc. <small>Newburyport, MA, www.responsemarine.com</small>		SHEET DWG NO. 336-2-2

REV.	DESCRIPTION



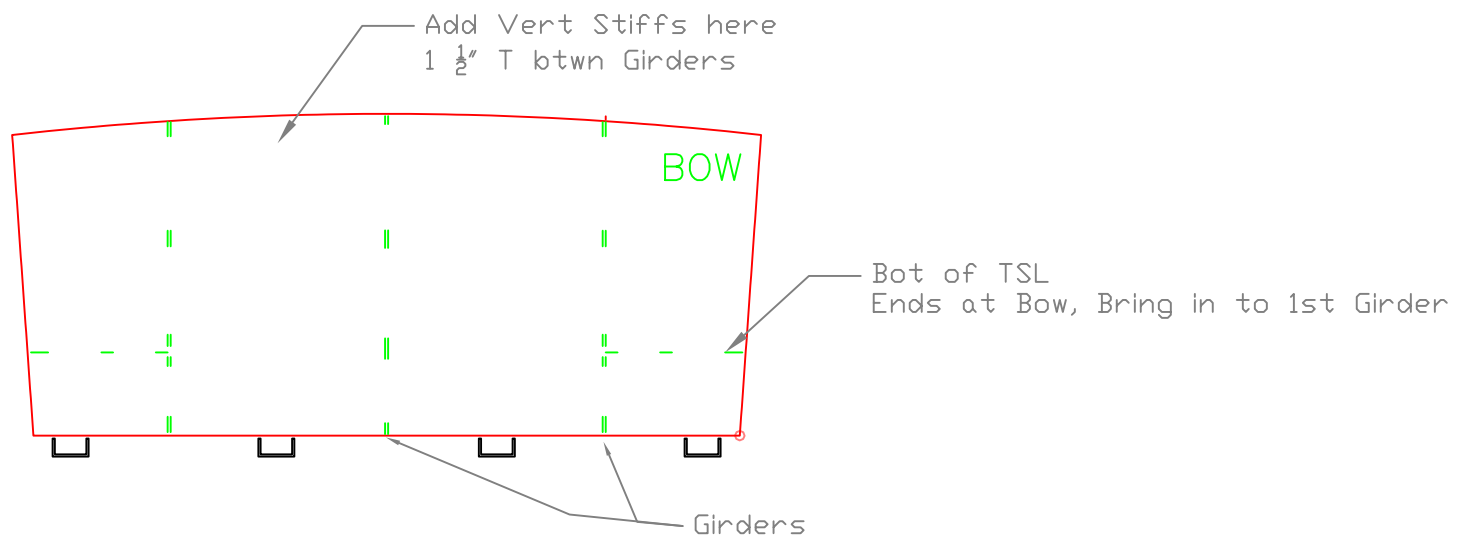
TRANSOM

20' x 7' WORKBOAT

For: Chester Marina

SCALE 3/4" = 1'	DES/DWN WAL	DATE 7/10/09
Response Marine, Inc.		SHEET
Newburyport, MA, www.responsemarine.com		DWG NO. 336-2-3

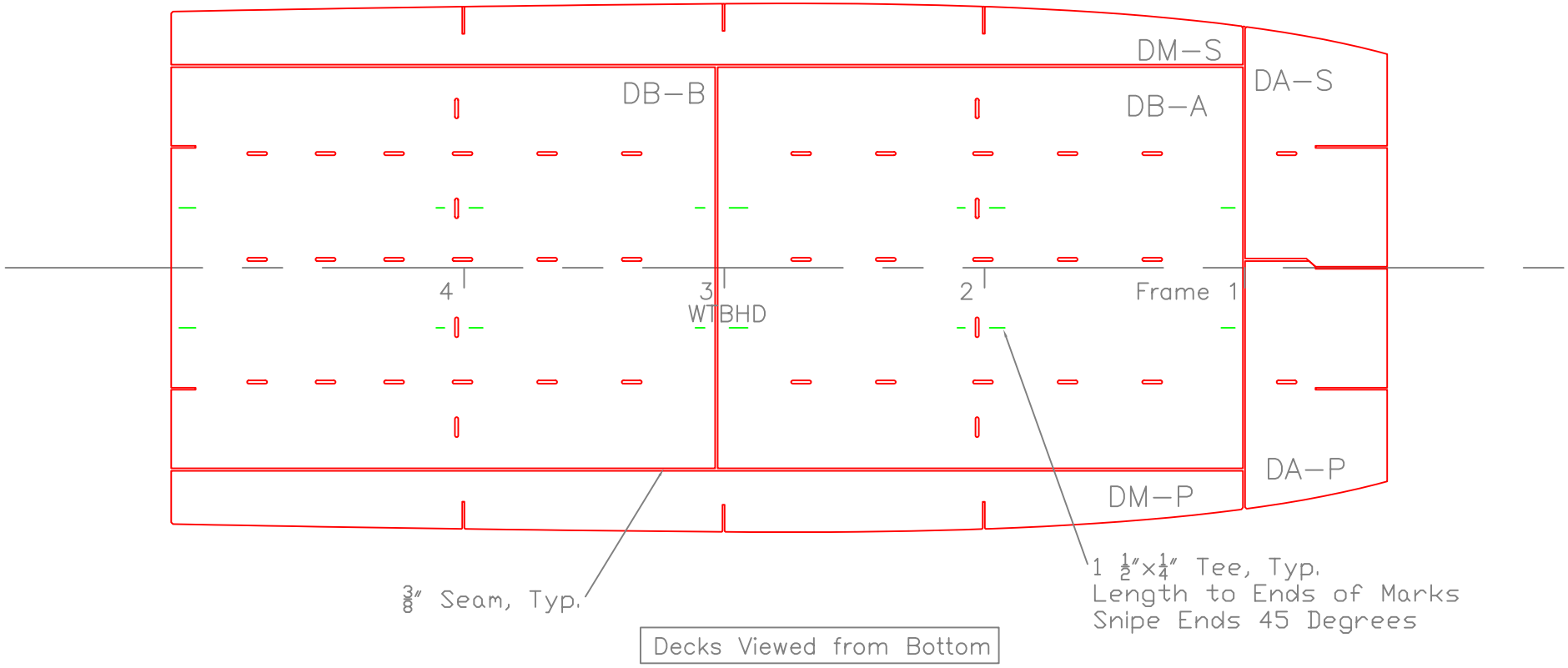
REV.	DESCRIPTION



BOW

20' x 7' WORKBOAT		
For: Chester Marina		
SCALE 3/4" = 1'	DES/DWN WAL	DATE 7/10/09
Response Marine, Inc.		SHEET
Newburyport, MA, www.responsemarine.com		DWG NO. 336-2-4

REV.	DESCRIPTION



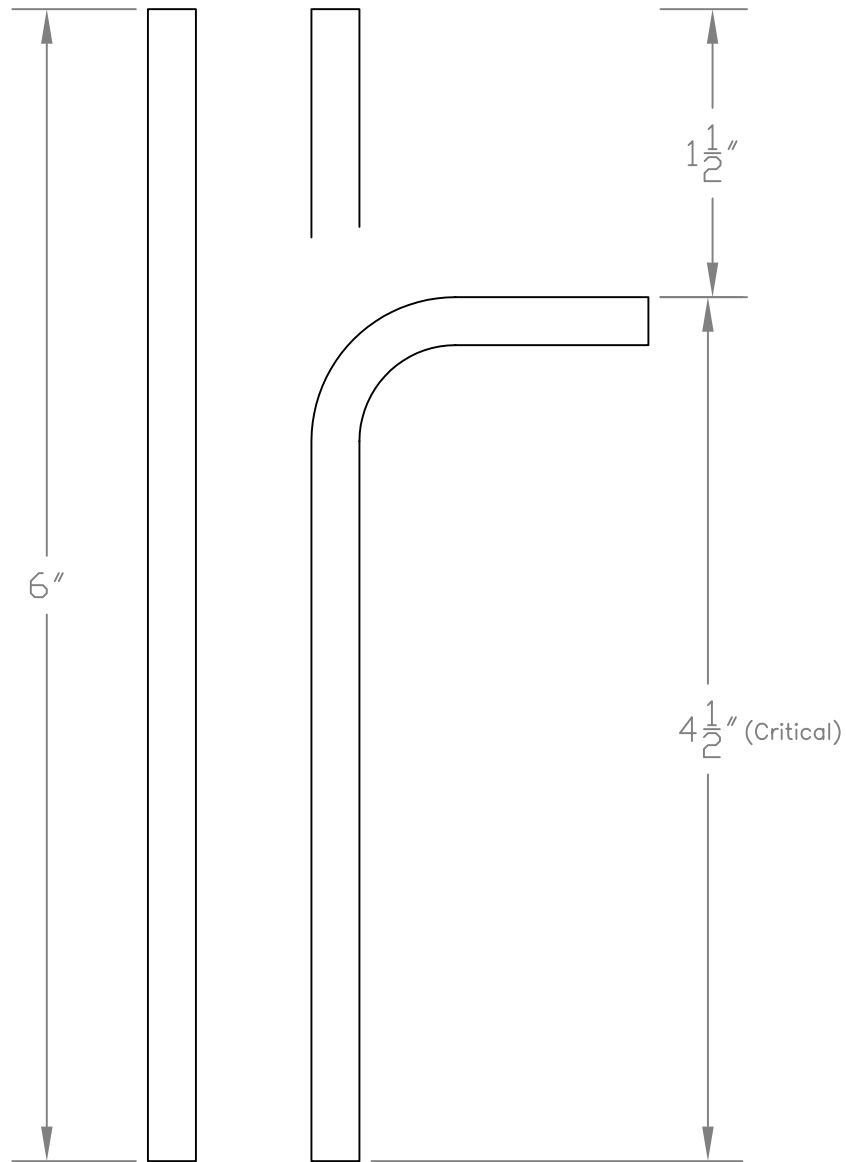
Cockpit Deck

20'x7' WORKBOAT

For: Chester Marina

SCALE 1/2" = 1'	DES/DWN WAL	DATE 7/10/09
Response Marine, Inc.		SHEET
Newburyport, MA, www.responsemarine.com		DWG NO. 336-2-5

REV.	DESCRIPTION



FRAME BENDING: 1/4" 5086 H116 Stock

- 1) Confirm results for dimensions and cracking with test strips before bending frames.
- 2) Expected Die Radius is 1/2"
- 3) Flanges are designed for OUTSIDE major flange of 1 1/2" less than flat stock length as shown.
- 4) Expected Back Gauge setting is 1.80", but confirm and adjust.
- 5) Parts to be flanged per this same set-up:

- F-1
- F-2
- F-2P
- F-2S
- F-3
- F-3P
- F-3S
- F-4
- F-4P
- F-4S
- G-0A
- G-0B
- G-PA
- G-PB
- G-SA
- G-SP
- TSL-BP
- TSL-BS
- TSL-CP
- TSL-CS

FLANGE BENDING

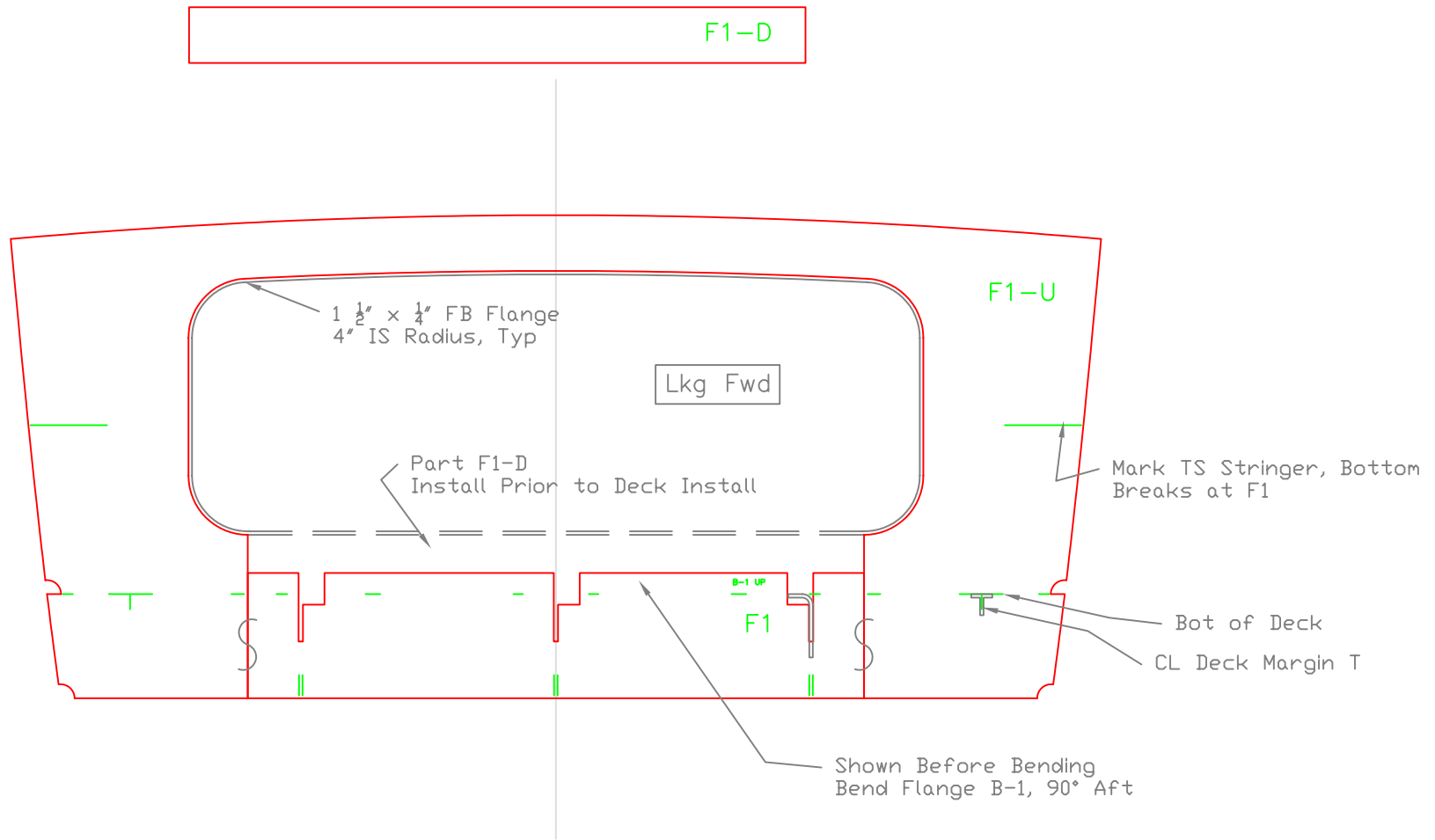
20'x8'WORKBOAT

For: Chester Marina

SCALE FULL	DES/DWN WAL	DATE 7/11/09
Response Marine, Inc.		SHEET
Newburyport, MA, www.responsemarine.com		DWG NO. 336-B-1

REV. DESCRIPTION

--	--



FRAME 1

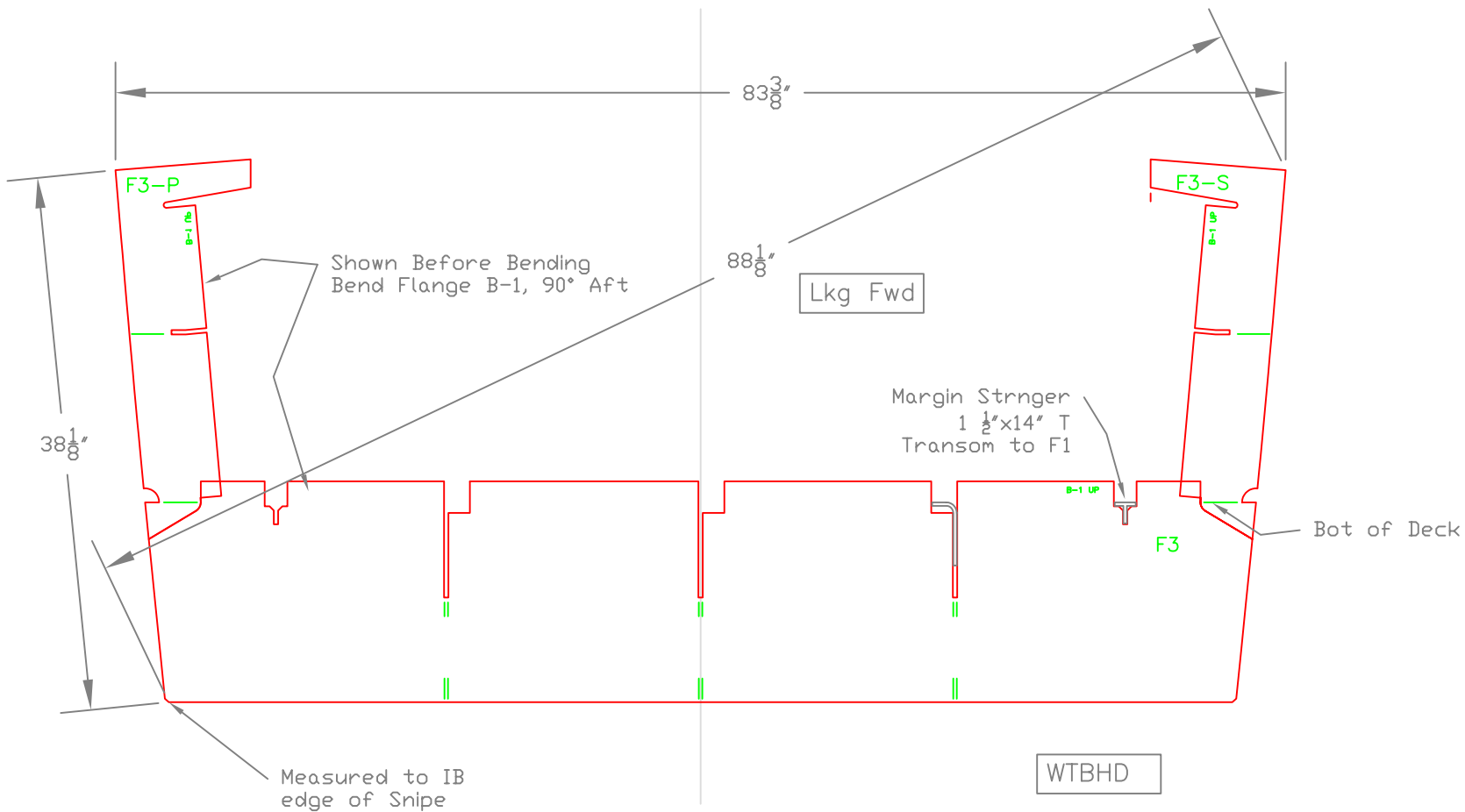
20' x 7' WORKBOAT

For: Chester Marina

SCALE 1" = 1'	DES/DWN WAL	DATE 7/11/09
------------------	----------------	-----------------

Response Marine, Inc.		SHEET
Newburyport, MA, www.responsemarine.com	DWG NO. 336-F-1	

REV.	DESCRIPTION



FRAME 3

20'x7' WORKBOAT

For: Chester Marina

SCALE 1" = 1'	DES/DWN WAL	DATE 7/11/09
Response Marine, Inc.		SHEET
Newburyport, MA, www.responsemarine.com		DWG NO. 336-F-3

REV.	DESCRIPTION