

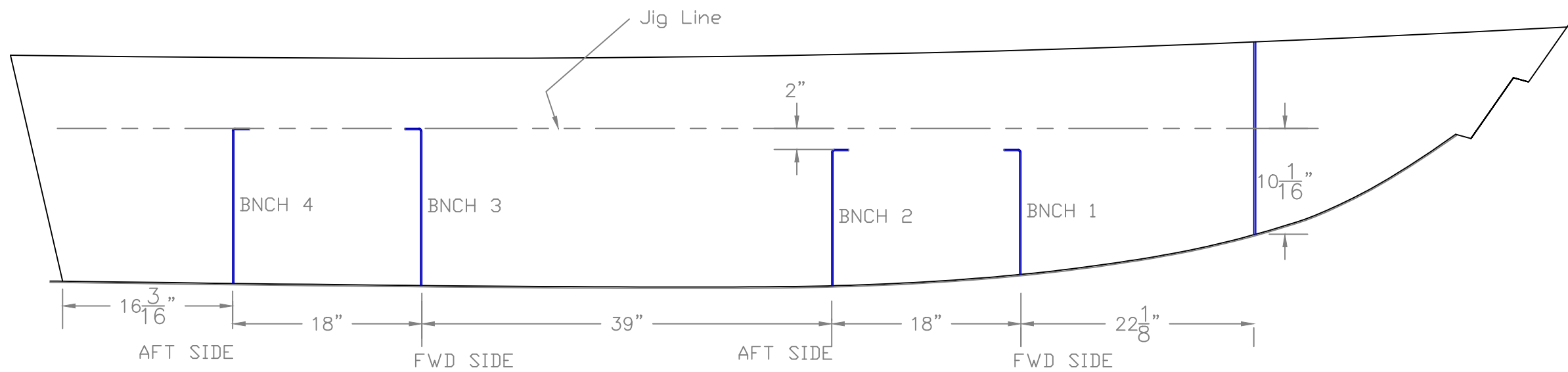
GENERAL VIEWS

Response R-12, 12'5x5'3"

For: Acton, MA

| | | |
|---|----------------|------------------------|
| SCALE 1"=1' | DES/DWN WAL | DATE 4/2/13 |
| Response Marine, Inc. Newburyport, MA, www.responsemarine.com | | SHEET DWG NO. 433-1 |

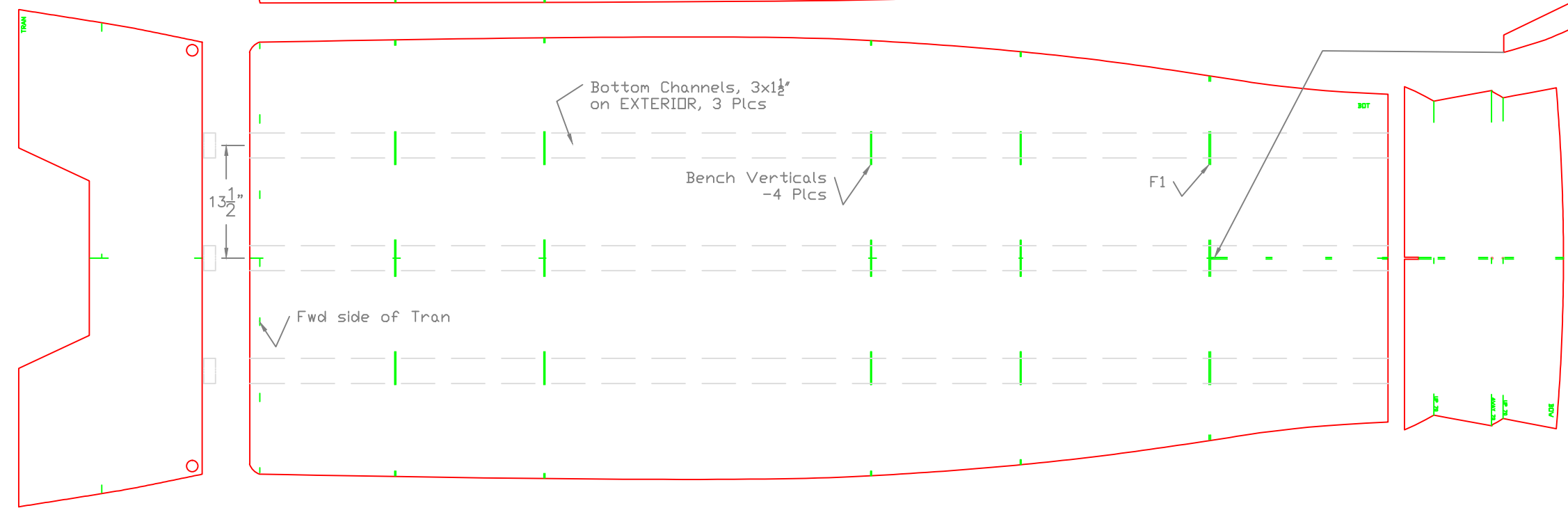
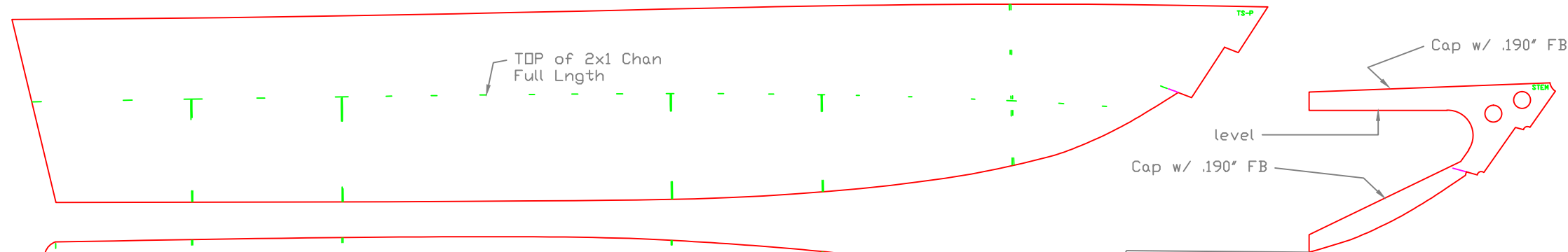
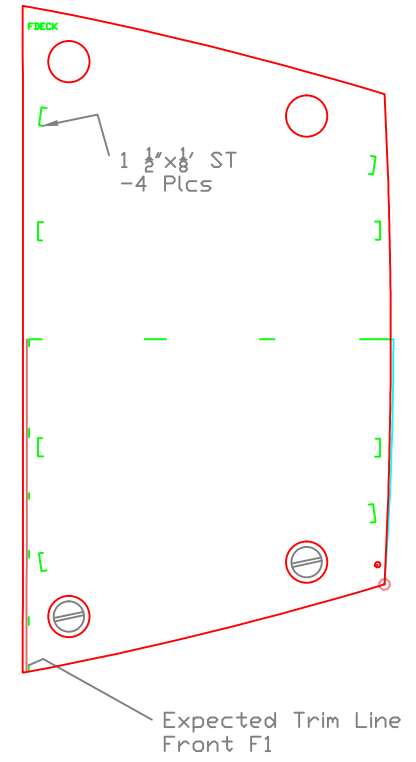
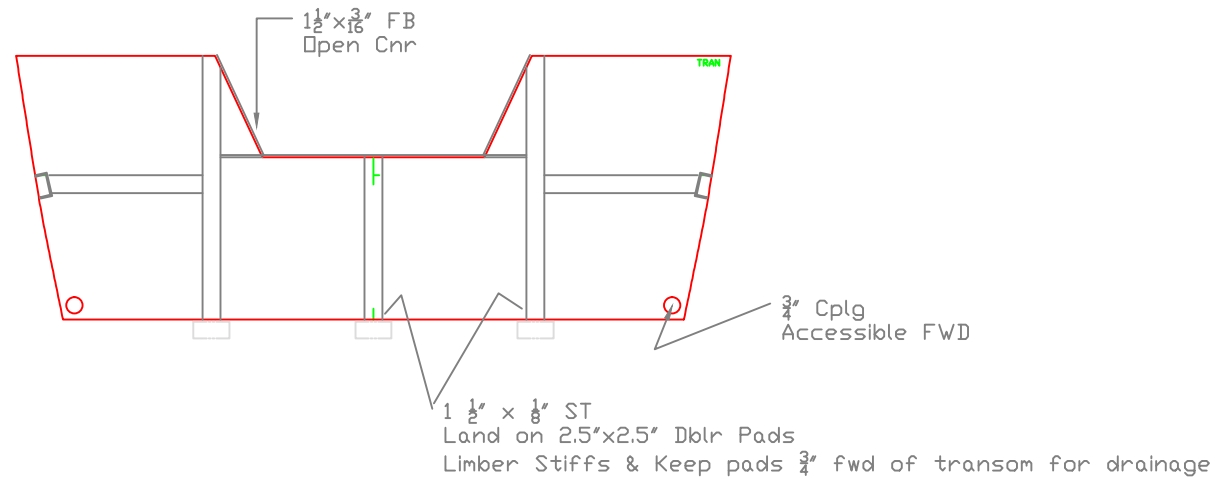
| REV. | DESCRIPTION |
|------|-------------|
| | |



JIGGING LAYOUT

| | | |
|---|----------------|----------------------------|
| Response R-12, 12'5x5'3" | | |
| For: Acton, MA | | |
| SCALE 1"=1' | DES/DWN WAL | DATE 4/20/13 |
| Response Marine, Inc. Newburyport, MA, www.responsemarine.com | | SHEET DWG NO. 433-21 |

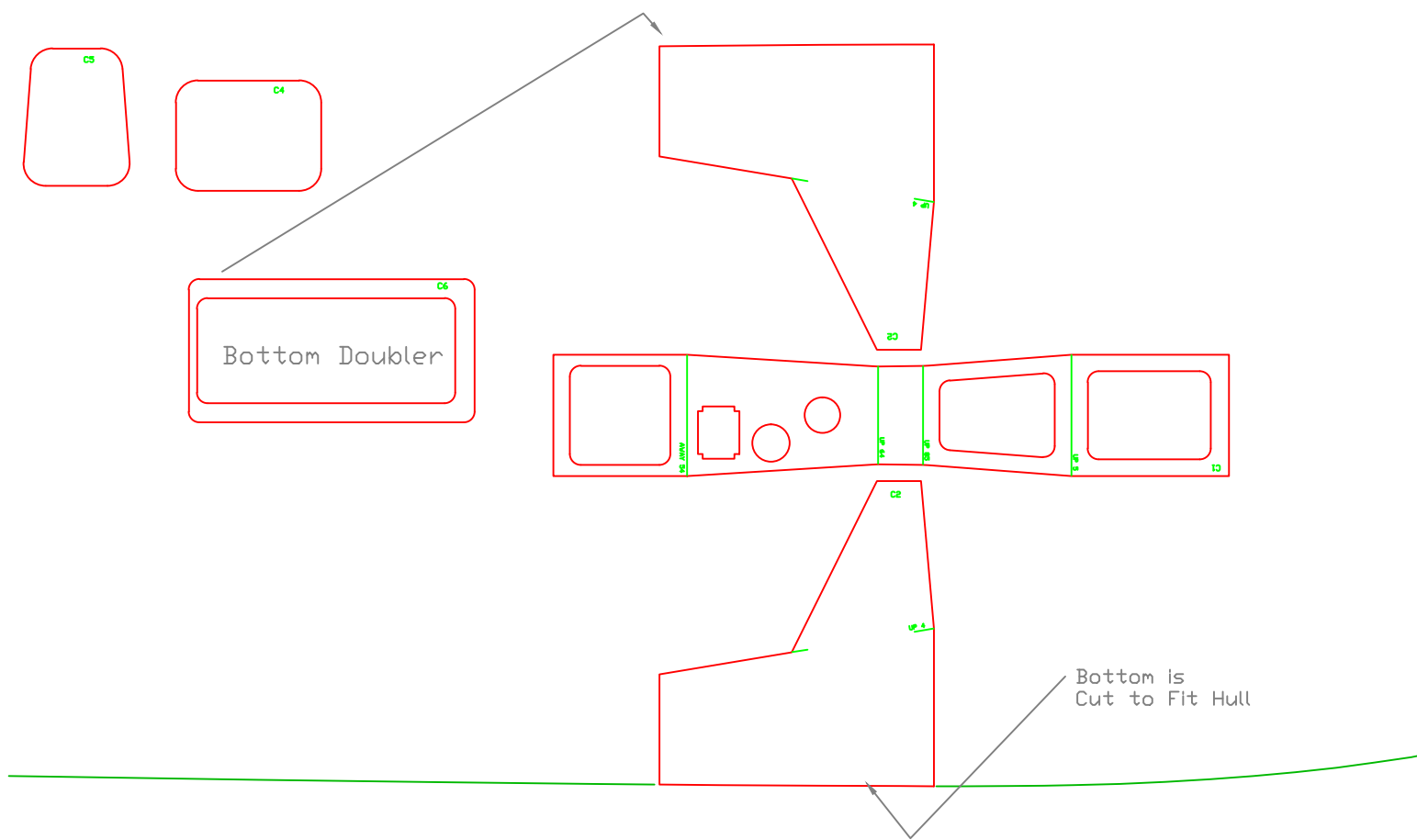
| REV. | DESCRIPTION |
|------|-------------|
| | |



HULL SKINS

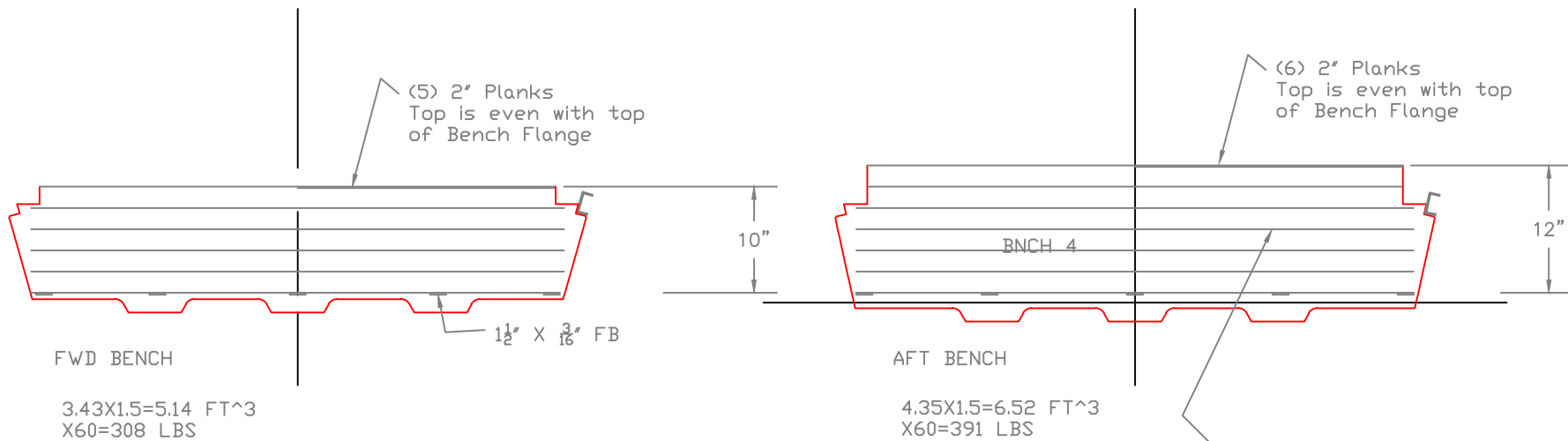
| | | |
|--|----------------|----------------------------|
| Response R-12, 12'5"x5'3" | | |
| For: Acton, MA | | |
| SCALE 3/4"=1' | DES/DWN WAL | DATE 4/20/13 |
| Response Marine, Inc. Newburyport, MA, www.responsemarine.com | | SHEET DWG NO. 433-22 |

| REV. | DESCRIPTION |
|------|-------------|
| | |



| | | |
|---|----------------|-----------------------------|
| R-12, ACTON | | |
| HELM CONSOLE | | |
| SCALE 3/4"=1' | DES/DWN WAL | DATE 4/19/13 |
| Response Marine, Inc. Newburyport, MA, www.responsemarine.com | | SHEET DWG NO. 433-4-1 |

| REV. | DESCRIPTION |
|------|-------------|
| | |



R-12, ACTON

BENCH FOAM

SCALE
3/4"=1'

DES/DWN
WAL

DATE
4/19/13

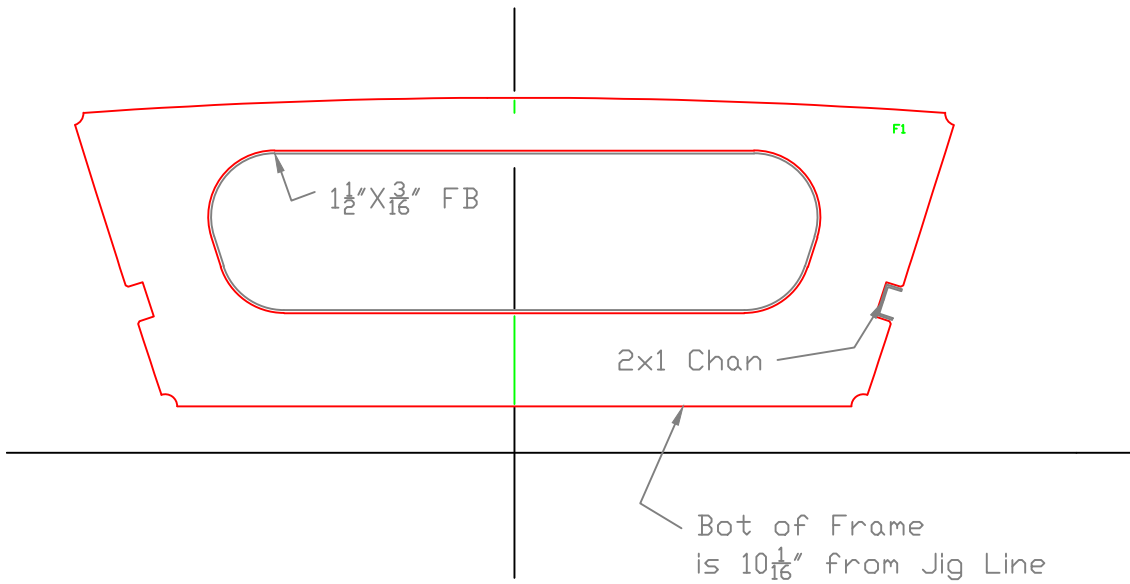
REV. DESCRIPTION

Response Marine, Inc.

Newburyport, MA, www.responsemarine.com

SHEET

DWG NO.
433-4-2



| | | |
|---|----------------|-----------------|
| Response R-12, 12'5x5'3" | | |
| FRAME 1 | | |
| SCALE 1"=1' | DES/DWN WAL | DATE 4/20/13 |
| Response Marine, Inc. Newburyport, MA, www.responsemarine.com | | SHEET 433-F1 |

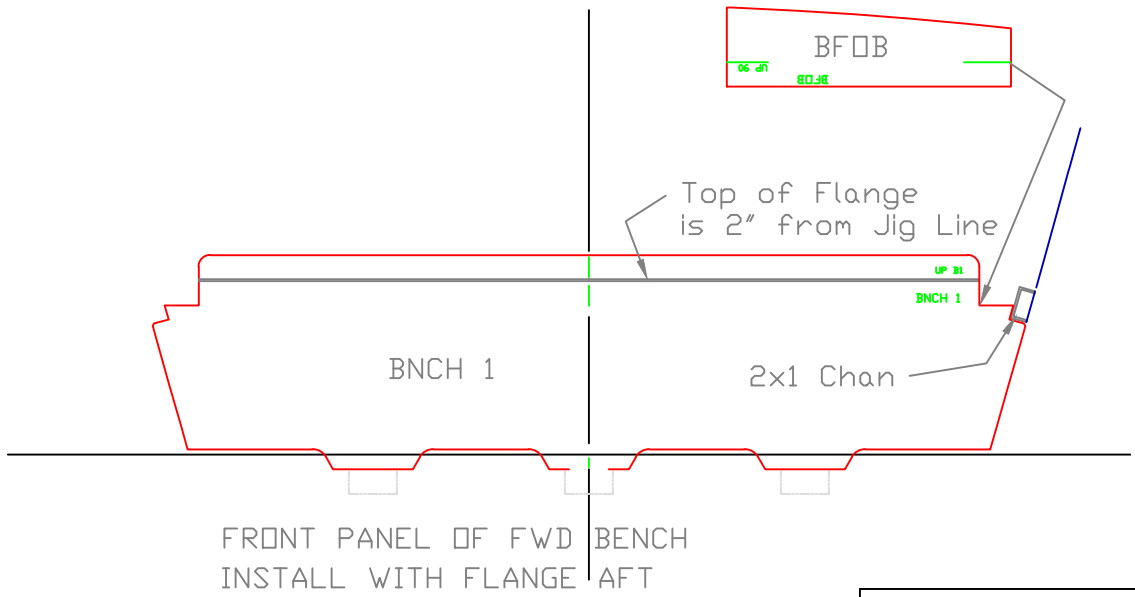
| REV. | DESCRIPTION |
|------|-------------|
| | |

UP B1
BF TOP

DO NOT Bend Lips on Tops
Trim to Length after Hull Assy
& Weld or Fasten to Flanges

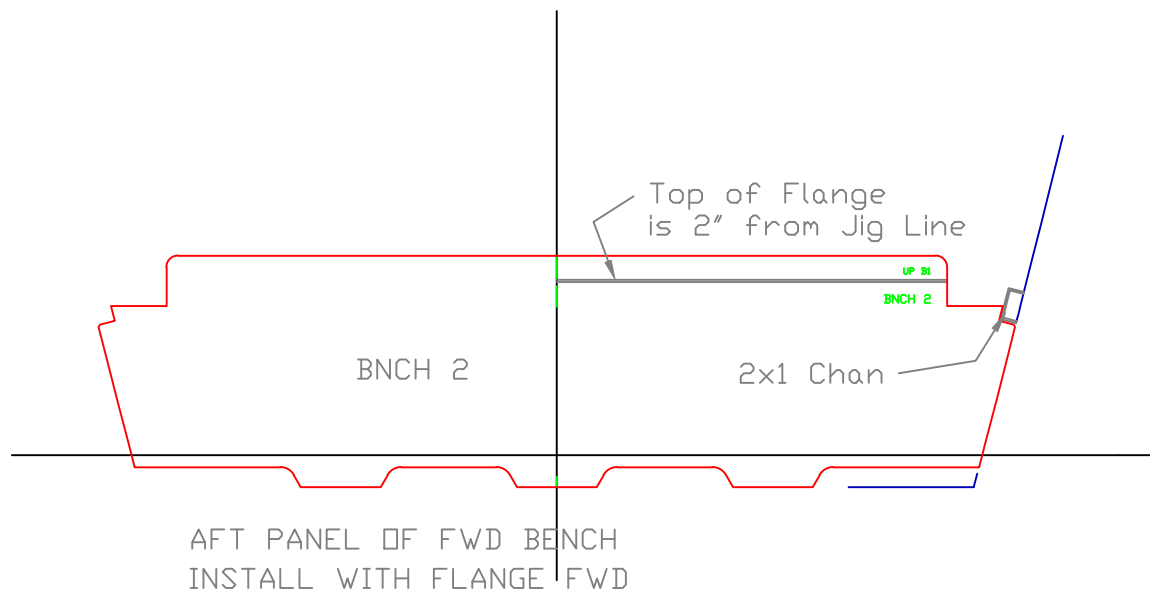
BF TOP

18 in



| | | |
|---|----------------|----------------------------|
| Response R-12, 12'5x5'3" | | |
| FRAME 2- BNCH 1 | | |
| SCALE 1"=1' | DES/DWN WAL | DATE 4/20/13 |
| Response Marine, Inc. Newburyport, MA, www.responsemarine.com | | SHEET DWG NO. 433-F2 |

| REV. | DESCRIPTION |
|------|-------------|
| | |



Response R-12, 12'5x5'3"

FRAME 3- BNCH 2

SCALE
1"=1'

DES/DWN
WAL

DATE
4/20/13

REV. DESCRIPTION

Response Marine, Inc.

Newburyport, MA, www.responsemarine.com

SHEET

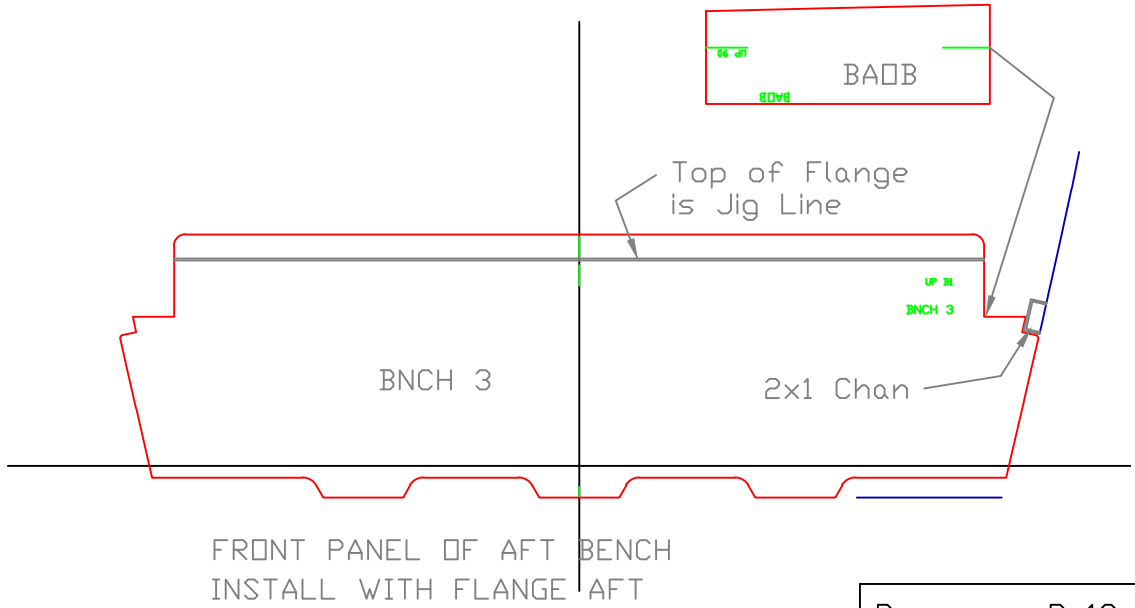
DWG NO.
433-F3

UP B1
BA TOP

DO NOT Bend Lips on Tops
Trim to Length after Hull Assy
& Weld or Fasten to Flanges

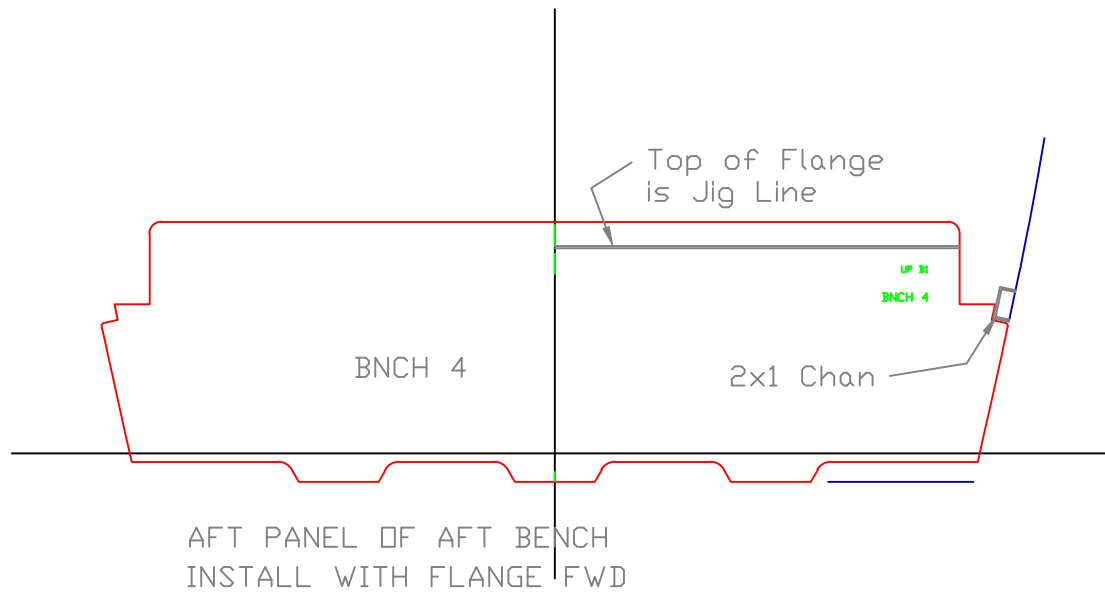
BA TOP

TE an



| | | |
|---|----------------|-------------------|
| Response R-12, 12'5x5'3" | | |
| FRAME 4- BNCH 3 | | |
| SCALE 1"=1' | DES/DWN WAL | DATE 4/20/13 |
| Response Marine, Inc. | | SHEET |
| Newburyport, MA, www.responsemarine.com | | DWG NO. 433-F4 |

| REV. | DESCRIPTION |
|------|-------------|
| | |



Response R-12, 12'5x5'3"

FRAME 5- BNCH 4

SCALE
1"=1'

DES/DWN
WAL

DATE
4/20/13

SHEET

Response Marine, Inc.
Newburyport, MA, www.responsemarine.com

DWG NO.
433-F5

REV. DESCRIPTION