

9                      8                      7                      6                      5                      4                      3                      2                      Frames 1  
 WTBD                      WTBD                      WTBD                      WTBD                      WTBD                      WTBD

**OUTBOARD PLAN & PROFILE**

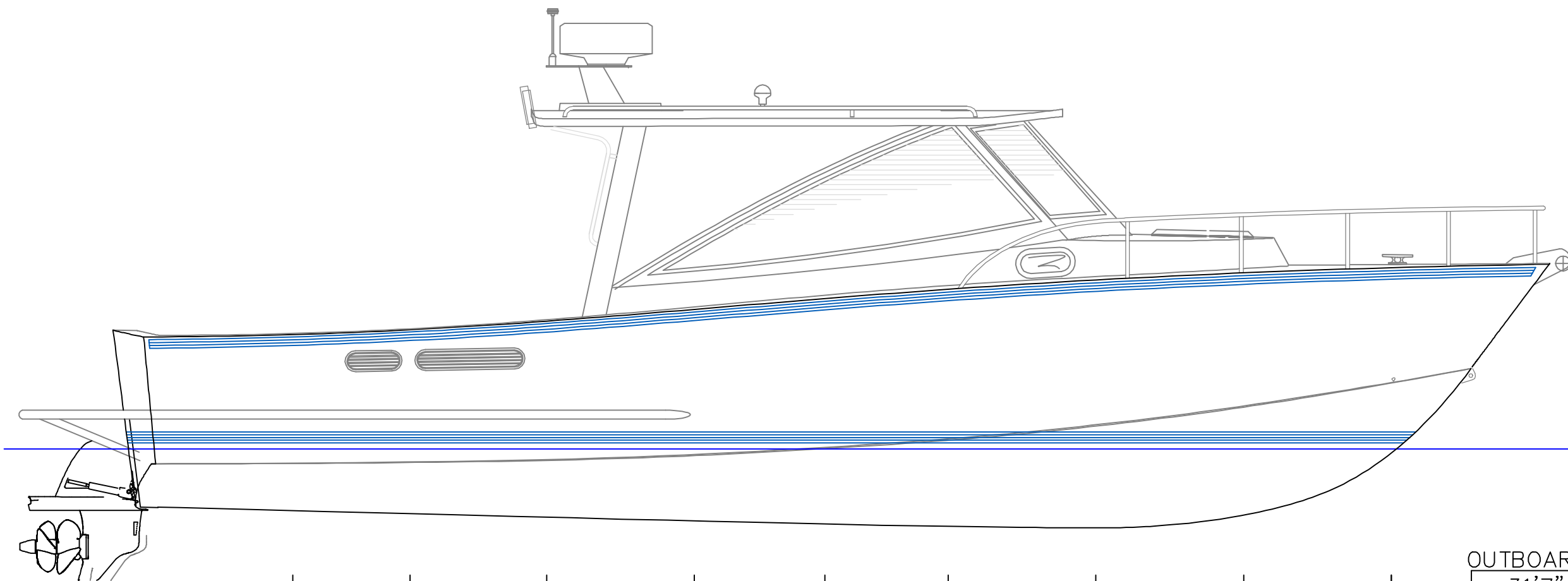
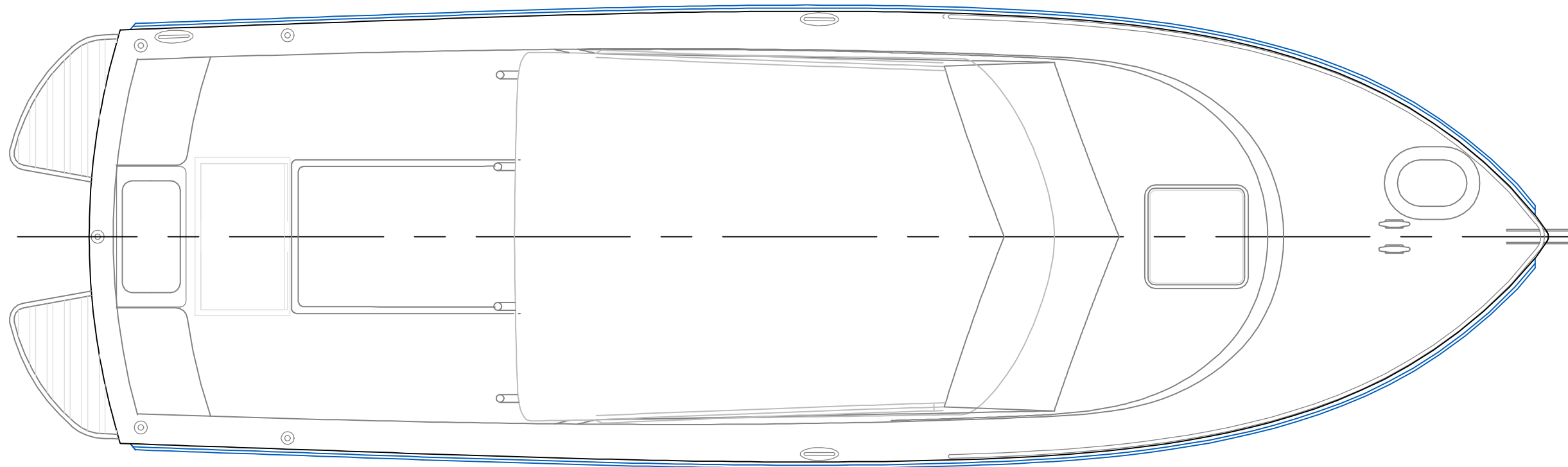
31'7" Fish/Cruise  
 For: Ken Koelling

SCALE 3/8" = 1'	DES/DWN WAL	DATE 1/23/07
--------------------	----------------	-----------------

SHEET <i>Response Marine, Inc.</i>	DWG NO. 274-01
---------------------------------------	-------------------

Newburyport, MA, [www.responsemarine.com](http://www.responsemarine.com)

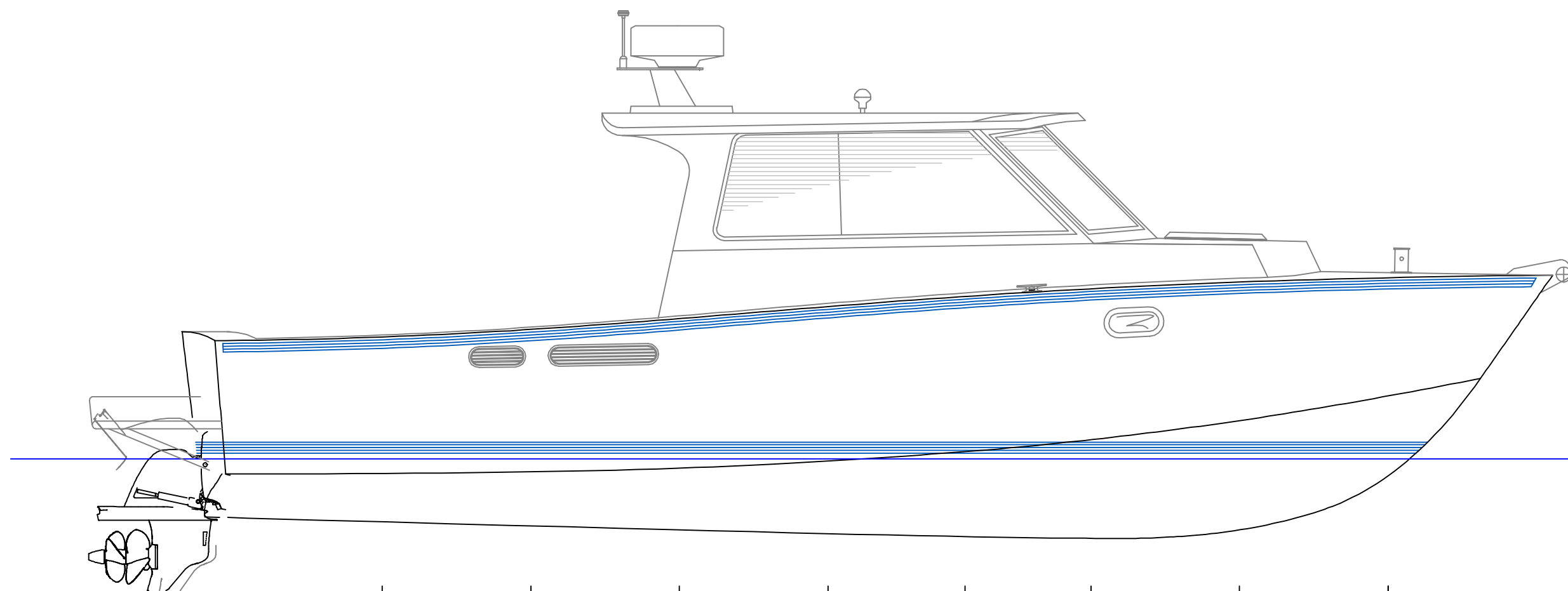
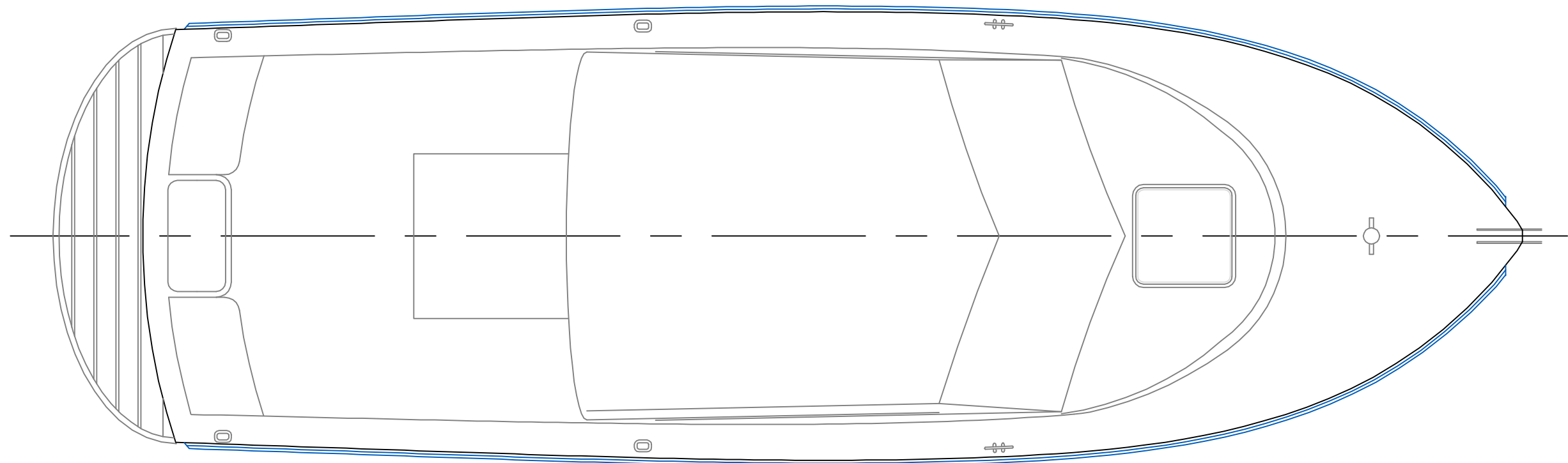
REV.	DESCRIPTION



9                      8                      7                      6                      5                      4                      3                      2                      Frames 1  
 WT BHD                      WT BHD                      WT BHD                      WT BHD

OUTBOARD PLAN & PROFILE		
31'7" Fish/Cruise		
For: Ken Koelling		
SCALE 3/8" = 1'	DES/DWN WAL	DATE 1/23/07
Response Marine, Inc.		SHEET
Newburyport, MA, <a href="http://www.responsemarine.com">www.responsemarine.com</a>		DWG NO. 274-01

REV.	DESCRIPTION



8      7      6      5      4      3      2      1  
Frames

**OUTBOARD PLAN & PROFILE**

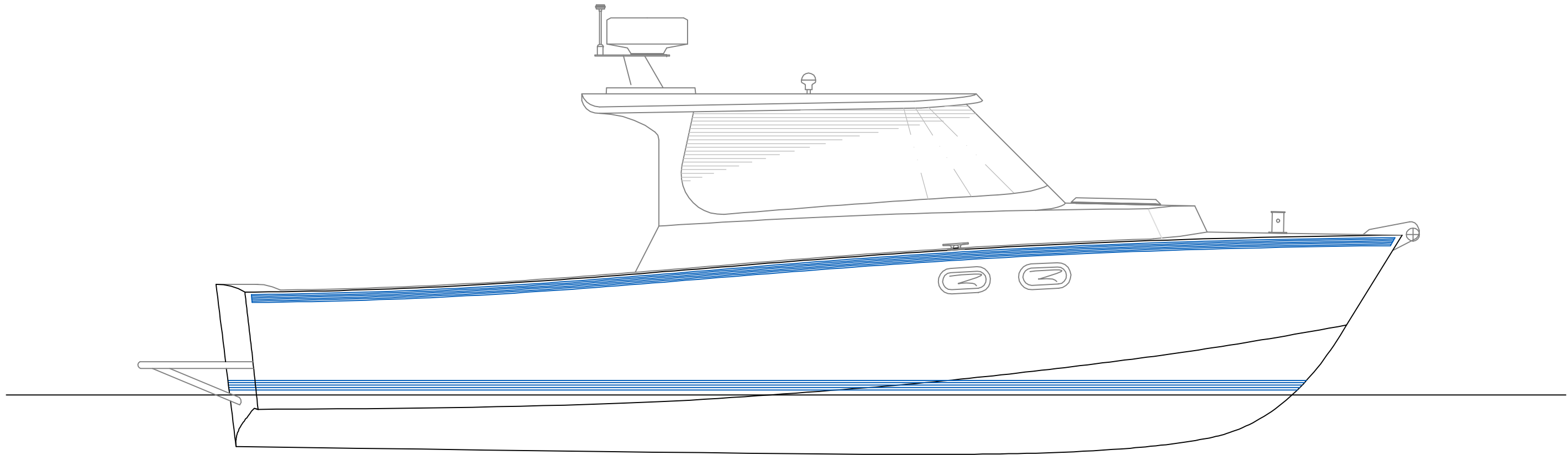
30' Fish/Cruise  
For: Ken Koelling

SCALE 3/8" = 1'	DES/DWN WAL	DATE 8/10/06
--------------------	----------------	-----------------

Response Marine, Inc.		SHEET
Newburyport, MA, <a href="http://www.responsemarine.com">www.responsemarine.com</a>		DWG NO. 262-01

*PRELIMINARY*

REV.	DESCRIPTION



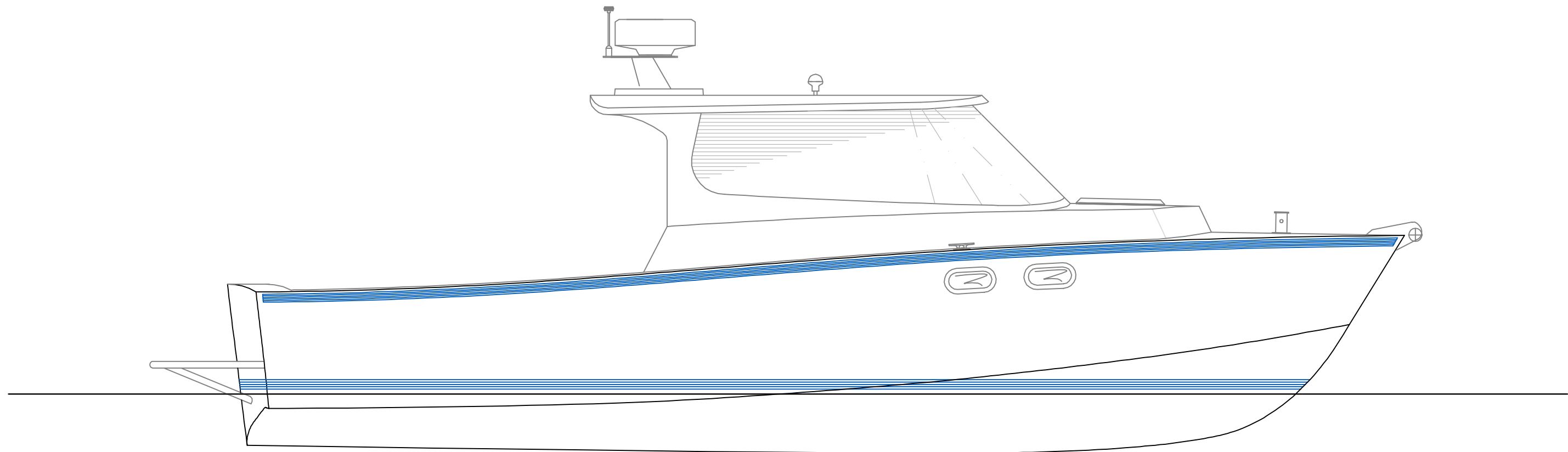
PROFILE SKETCH D2

30' Fish/Cruise  
 For: Ken Koelling

SCALE 3/8" = 1'	DES/DWN WAL	DATE 6/9/06
--------------------	----------------	----------------

<i>Response Marine, Inc.</i>	SHEET
Newburyport, MA, <a href="http://www.responsemarine.com">www.responsemarine.com</a>	DWG NO.

REV.	DESCRIPTION



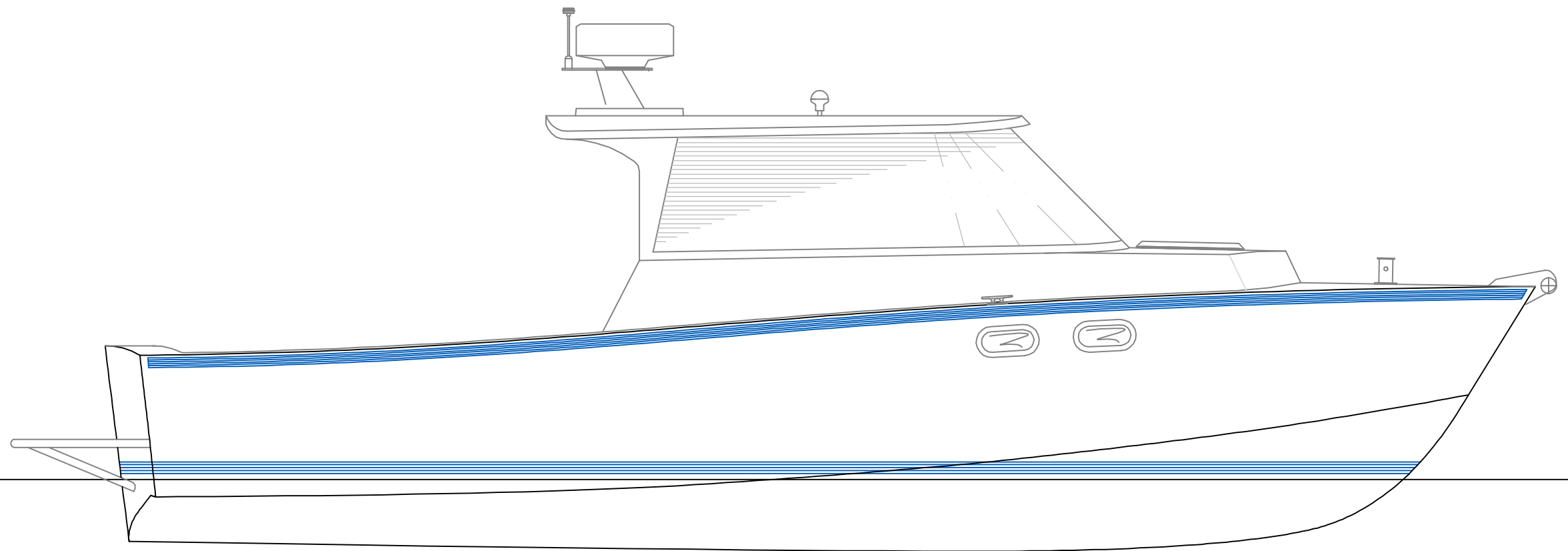
PROFILE SKETCH D1

30' Fish/Cruise  
 For: Ken Koelling

SCALE 3/8" = 1'	DES/DWN WAL	DATE 6/9/06
--------------------	----------------	----------------

<i>Response Marine, Inc.</i>	SHEET
Newburyport, MA, <a href="http://www.responsemarine.com">www.responsemarine.com</a>	DWG NO.

REV.	DESCRIPTION



PROFILE SKETCH D

30' Fish/Cruise

For: Ken Koelling

SCALE 3/8" = 1'	DES/DWN WAL	DATE 6/9/06
--------------------	----------------	----------------

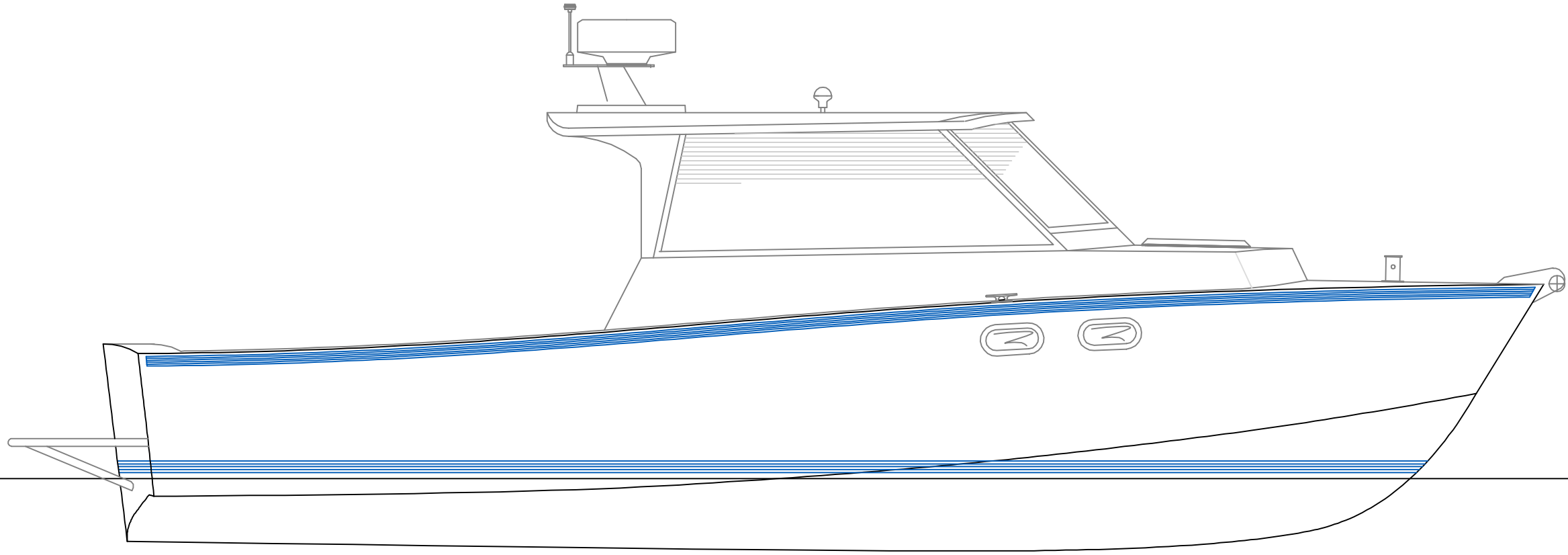
Response Marine, Inc.

Newburyport, MA, [www.responsemarine.com](http://www.responsemarine.com)

REV.	DESCRIPTION

SHEET

DWG NO.



PROFILE SKETCH C

30' Fish/Cruise

For: Ken Koelling

SCALE 3/8" = 1'	DES/DWN WAL	DATE 6/9/06
--------------------	----------------	----------------

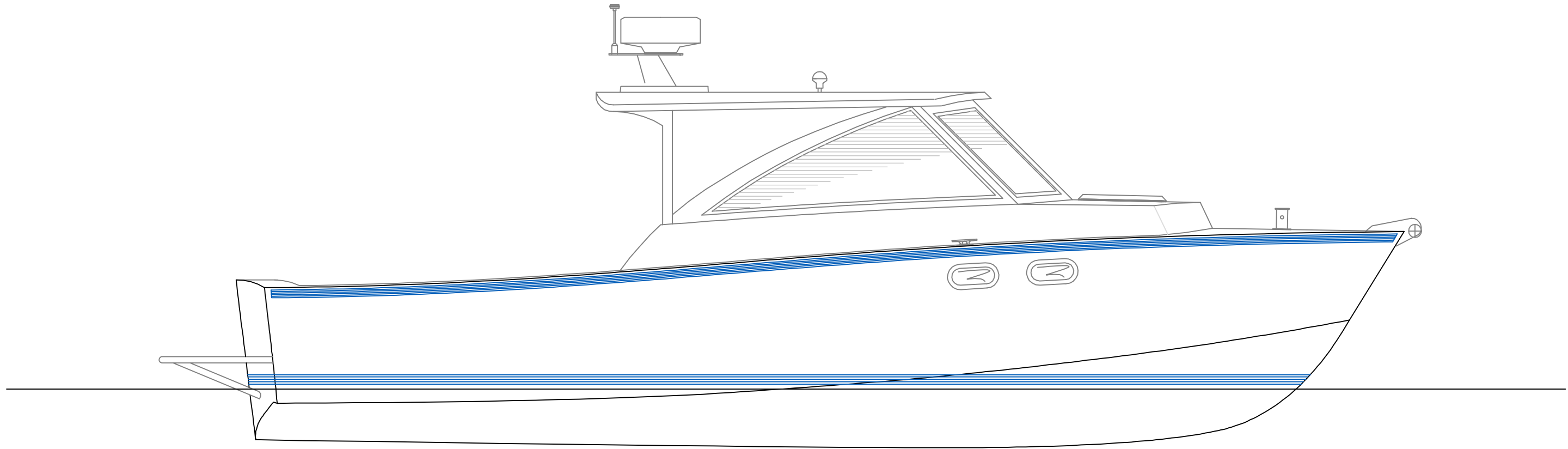
*Response Marine, Inc.*

Newburyport, MA, [www.responsemarine.com](http://www.responsemarine.com)

REV.	DESCRIPTION

SHEET

DWG NO.



PROFILE SKETCH B

30' Fish/Cruise

For: Ken Koelling

SCALE 3/8" = 1'	DES/DWN WAL	DATE 6/9/06
--------------------	----------------	----------------

Response Marine, Inc.

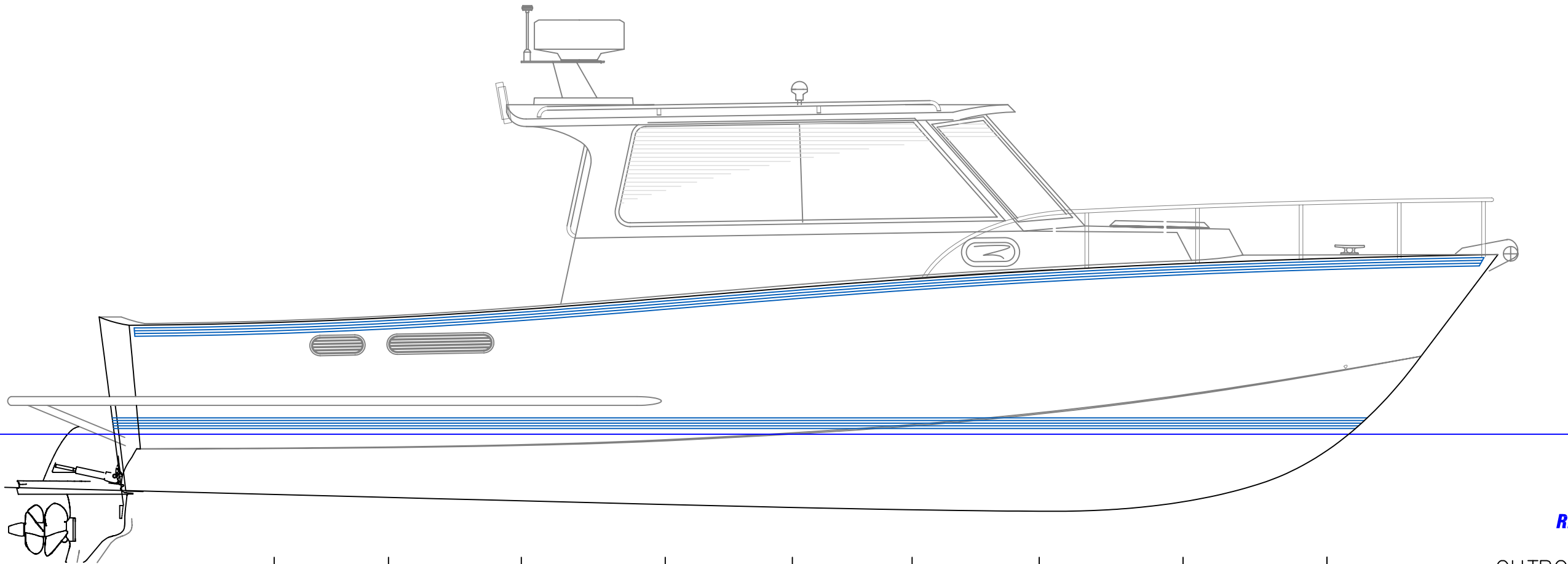
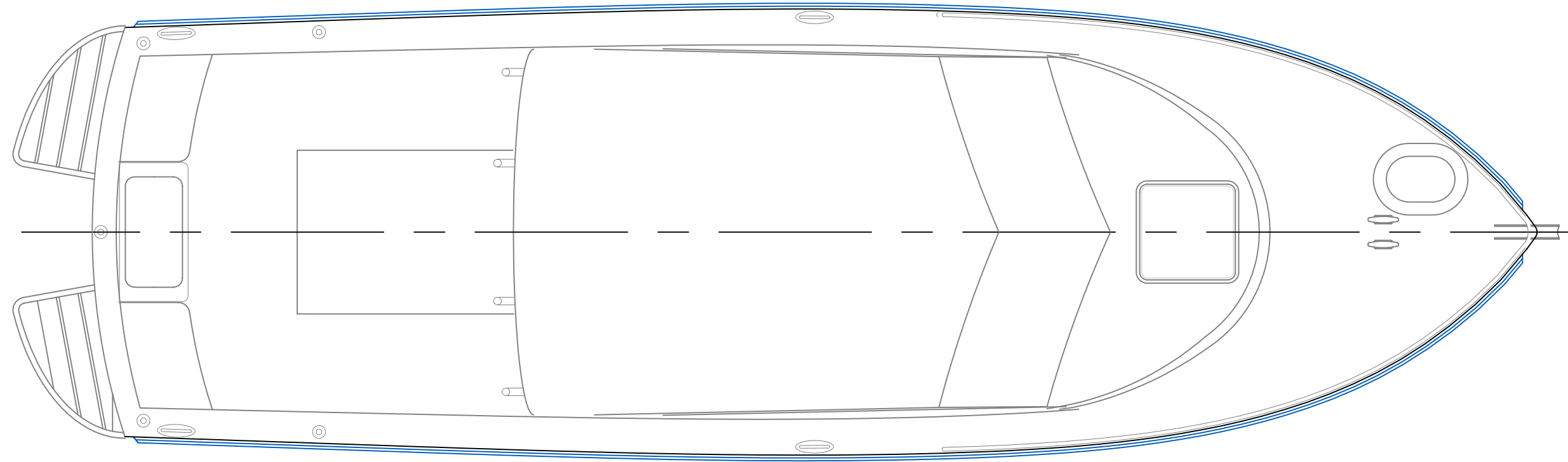
Newburyport, MA, [www.responsemarine.com](http://www.responsemarine.com)

REV.	DESCRIPTION

SHEET

DWG NO.





9          8          7          6          5          4          3          2          1  
                                   WTBD (Below Sole)                                   Frames                  WTBD

**PRELIMINARY**

REV.	DESCRIPTION

**REV 12/4/06**

**OUTBOARD PLAN & PROFILE**

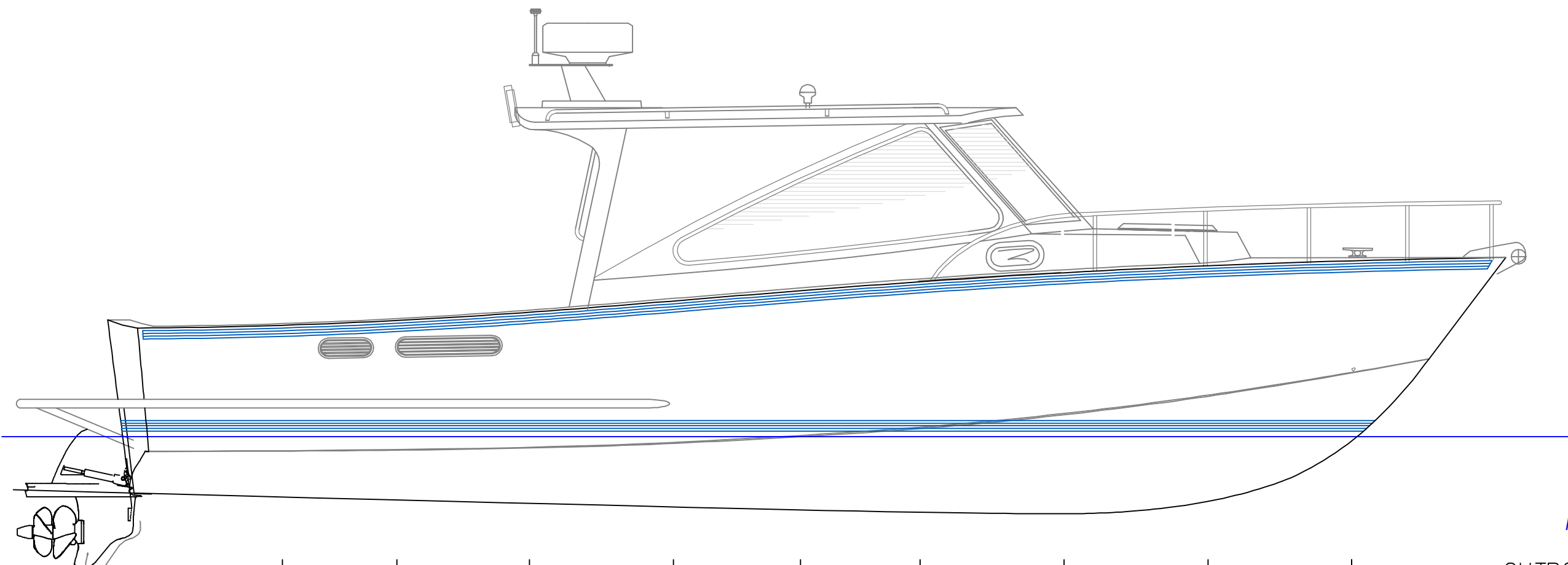
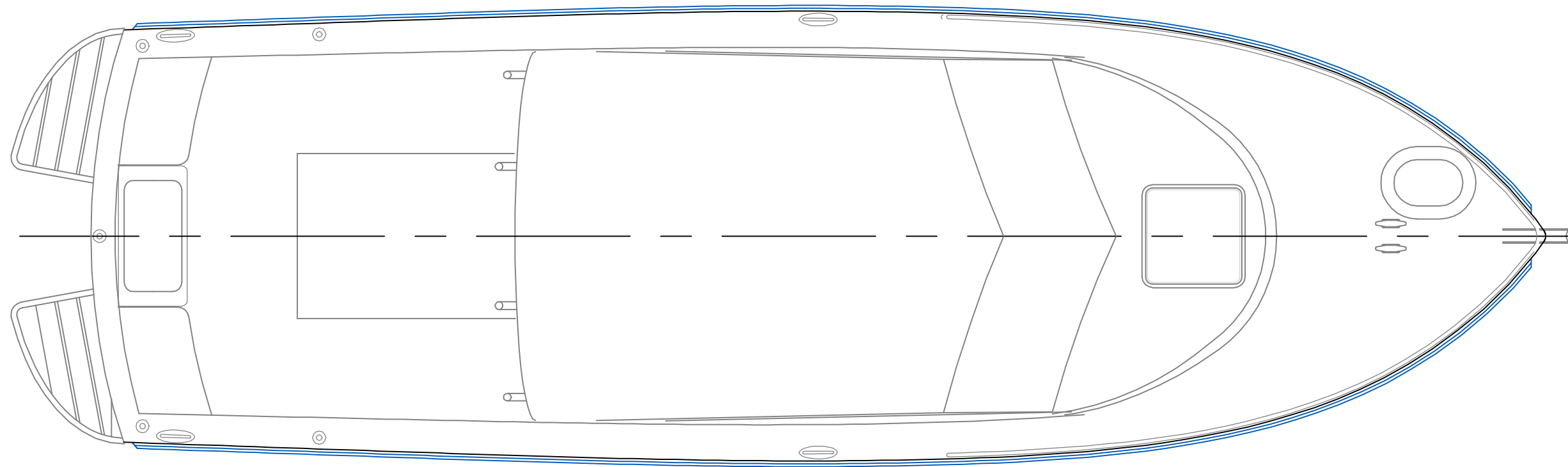
31'7" Fish/Cruise  
 For: Ken Koelling

SCALE 3/8" = 1'	DES/DWN WAL	DATE 12/4/06
--------------------	----------------	-----------------

**Response Marine, Inc.**

Newburyport, MA, [www.responsemarine.com](http://www.responsemarine.com)

SHEET	DWG NO.
	274-P1



9      8      7      6      5      4      3      2      1  
 WT BHD      WT BHD      WT BHD      WT BHD      WT BHD      WT BHD      WT BHD      WT BHD  
 (Below Sole)      (Below Sole)

PRELIMINARY

REV 12/18/06

OUTBOARD PLAN & PROFILE

31'7" Fish/Cruise  
For: Ken Koelling

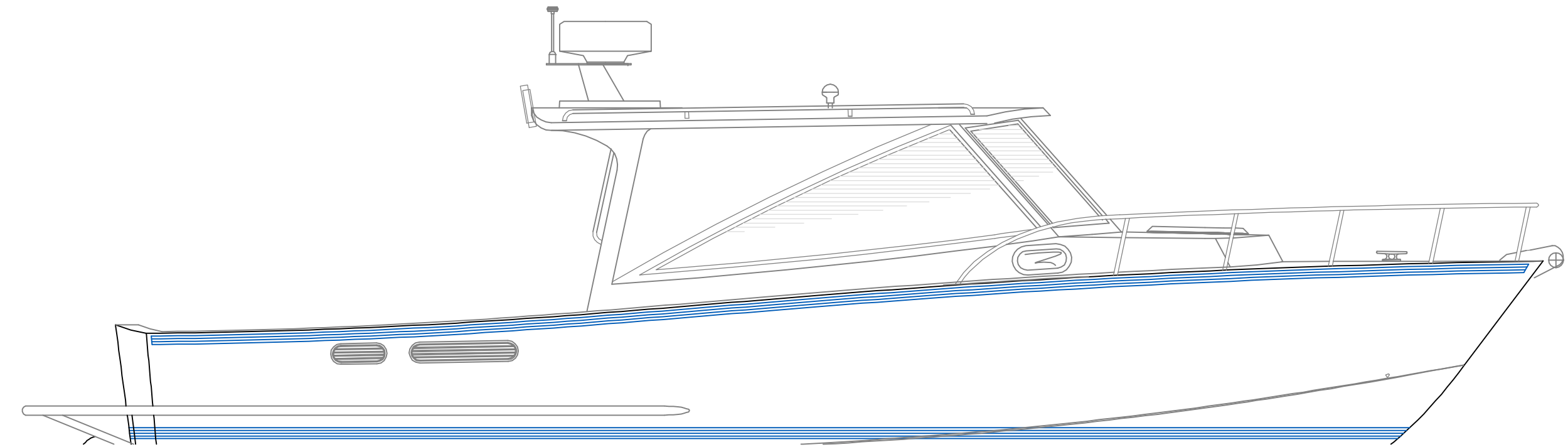
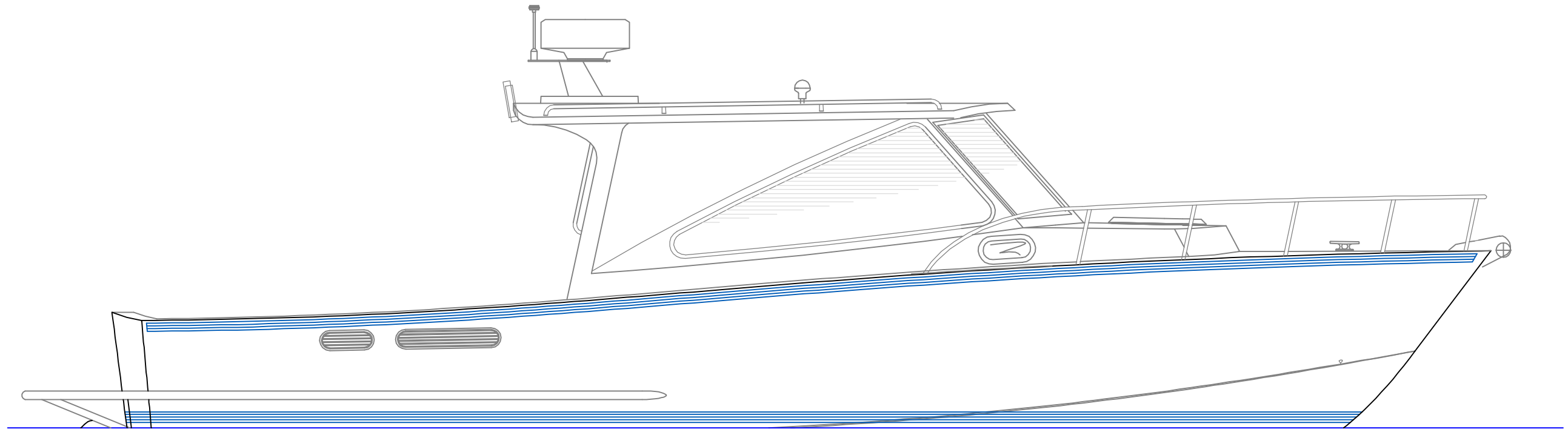
SCALE 3/8" = 1'	DES/DWN WAL	DATE 12/4/06
--------------------	----------------	-----------------

Response Marine, Inc.

Newburyport, MA, [www.responsemarine.com](http://www.responsemarine.com)

SHEET	DWG NO. 274-P1
-------	-------------------

REV.	DESCRIPTION



EXPRESS, 12/18/06

OUTBOARD PROFILE

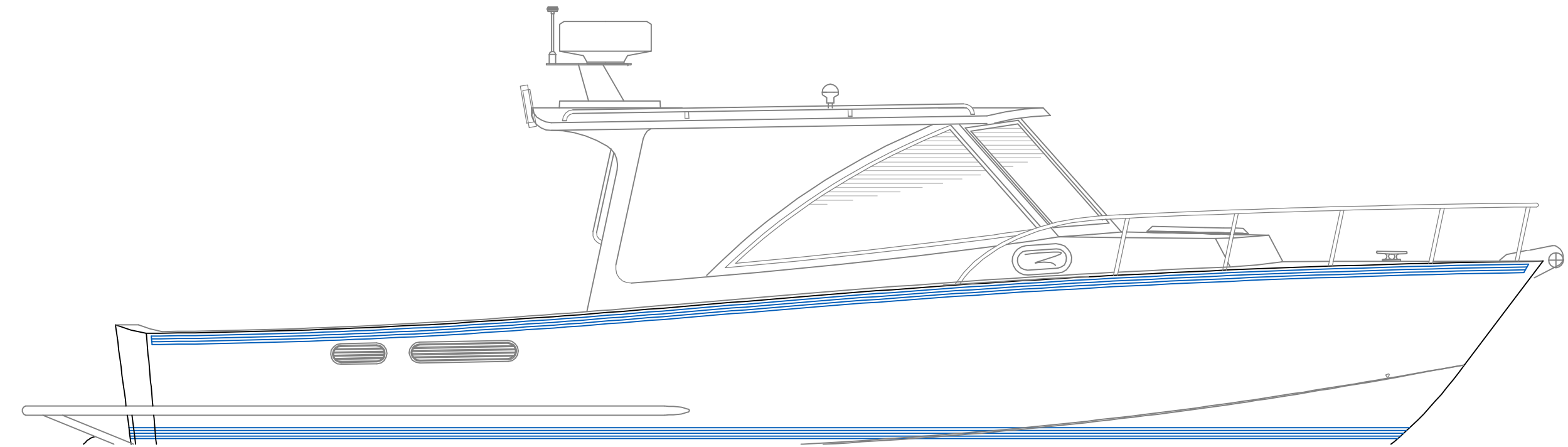
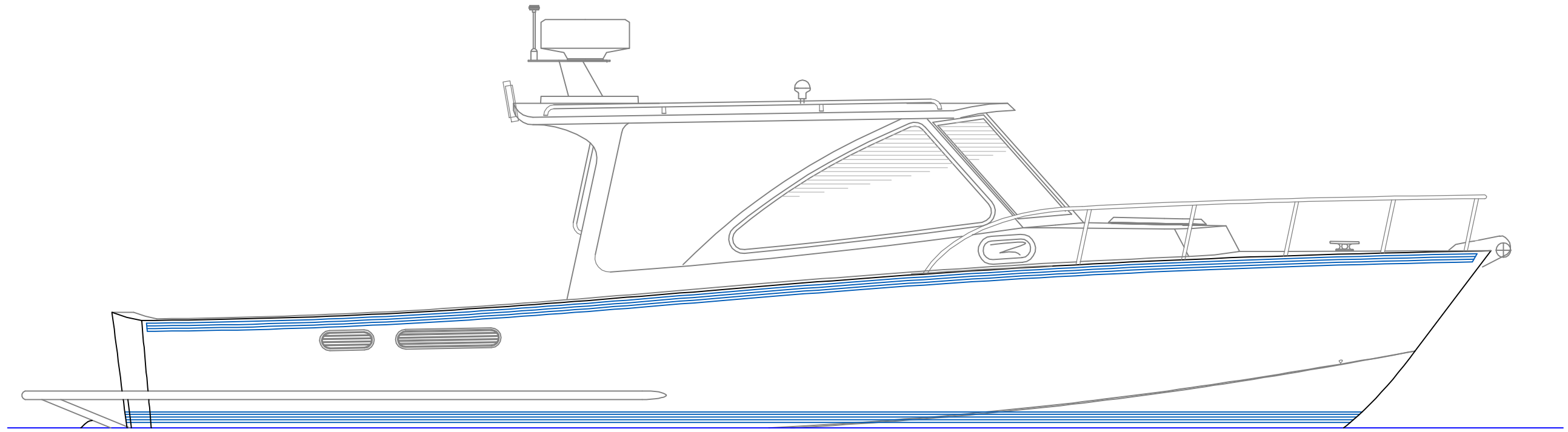
31'7" Fish/Cruise  
For: Ken Koelling

SCALE 3/8" = 1'	DES/DWN WAL	DATE
--------------------	----------------	------

Response Marine, Inc.	SHEET
Newburyport, MA, <a href="http://www.responsemarine.com">www.responsemarine.com</a>	DWG NO.

PRELIMINARY

REV.	DESCRIPTION



EXPRESS, 12/11/06

OUTBOARD PROFILE

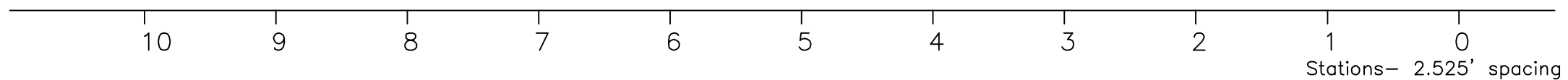
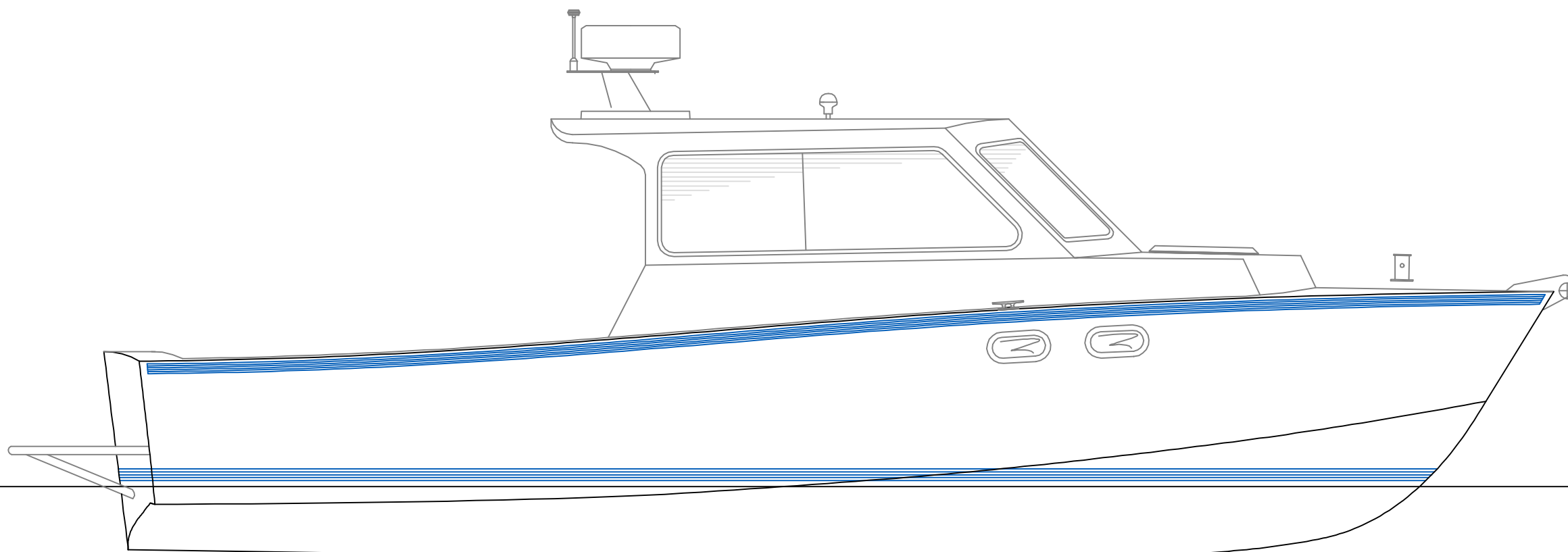
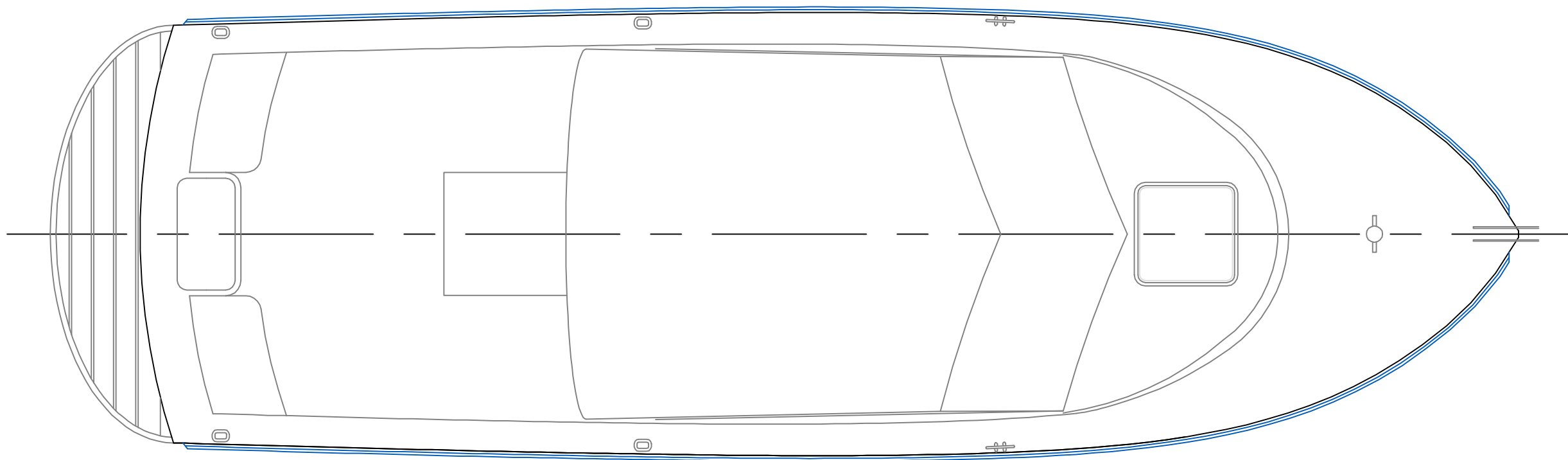
31'7" Fish/Cruise  
For: Ken Koelling

SCALE 3/8" = 1'	DES/DWN WAL	DATE
--------------------	----------------	------

Response Marine, Inc.	SHEET
Newburyport, MA, <a href="http://www.responsemarine.com">www.responsemarine.com</a>	DWG NO.

PRELIMINARY

REV.	DESCRIPTION

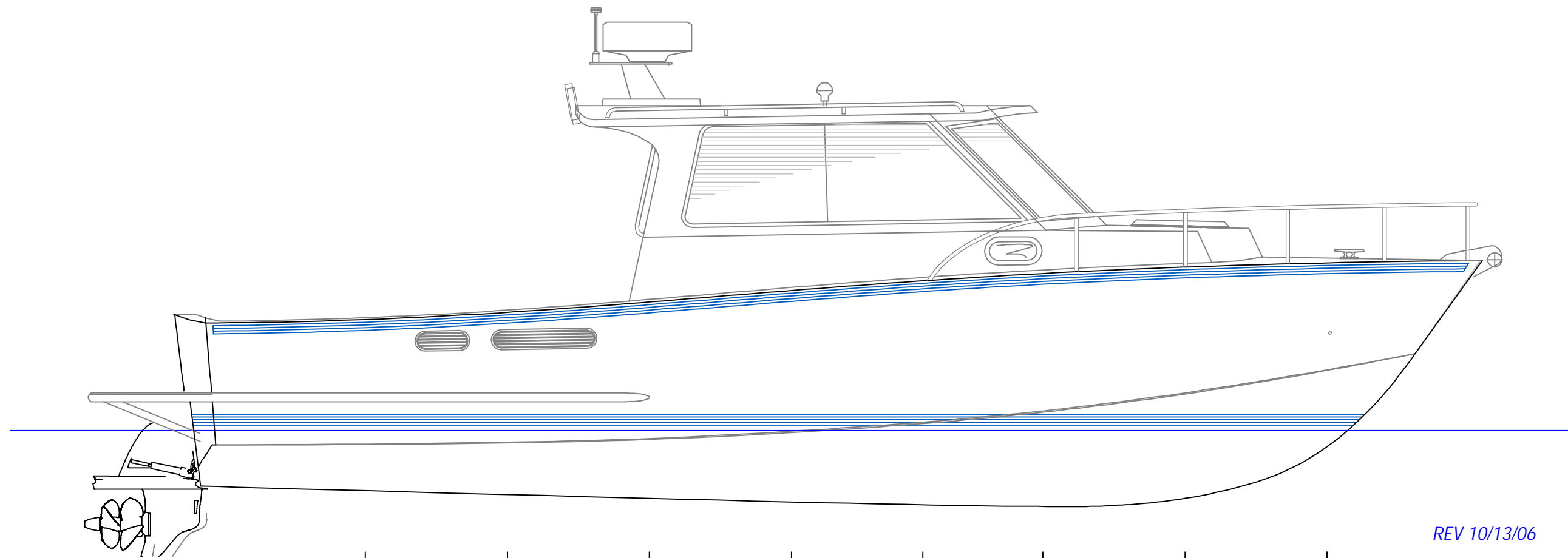
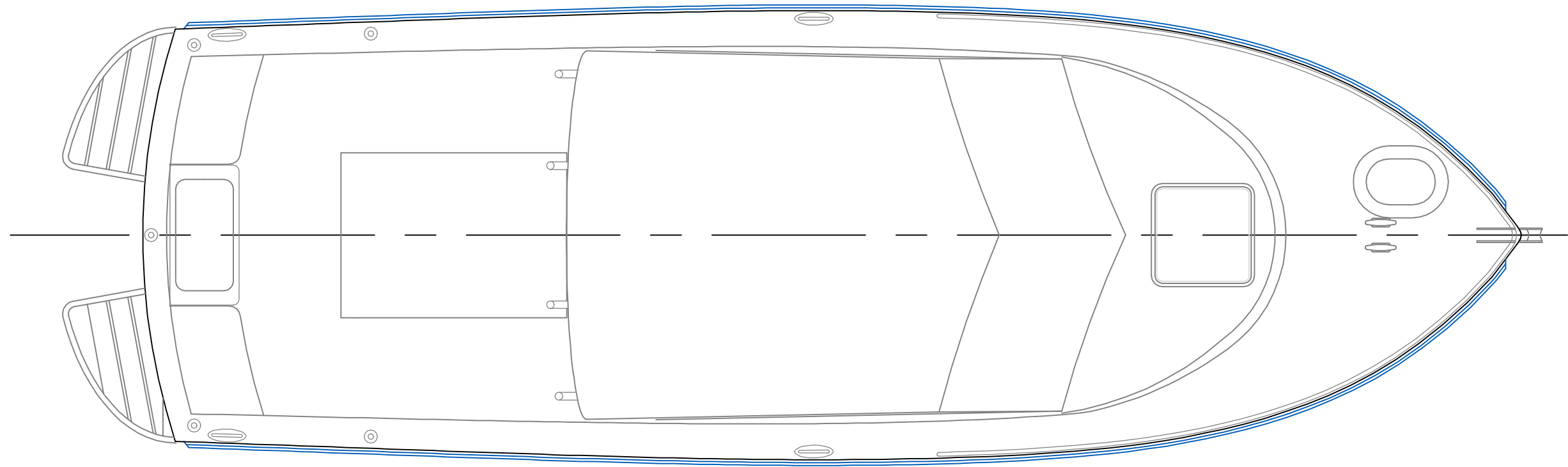


PRELIMINARY- VERSION A

REV.	DESCRIPTION

OUTBOARD PLAN & PROFILE

30' Fish/Cruise		
For: Ken Koelling		
SCALE 3/8" = 1'	DES/DWN WAL	DATE 6/5/06
Response Marine, Inc.		SHEET
Newburyport, MA, www.responsemarine.com		DWG NO. 262-P1A



8                      7                      6                      5                      4                      3                      2                      1  
 WTBD                      WTBD                      WTBD                      WTBD                      WTBD                      WTBD                      WTBD  
 (Below Sole)                      (Below Sole)                      (Below Sole)                      (Below Sole)                      (Below Sole)                      (Below Sole)                      (Below Sole)

REV 10/13/06

OUTBOARD PLAN & PROFILE

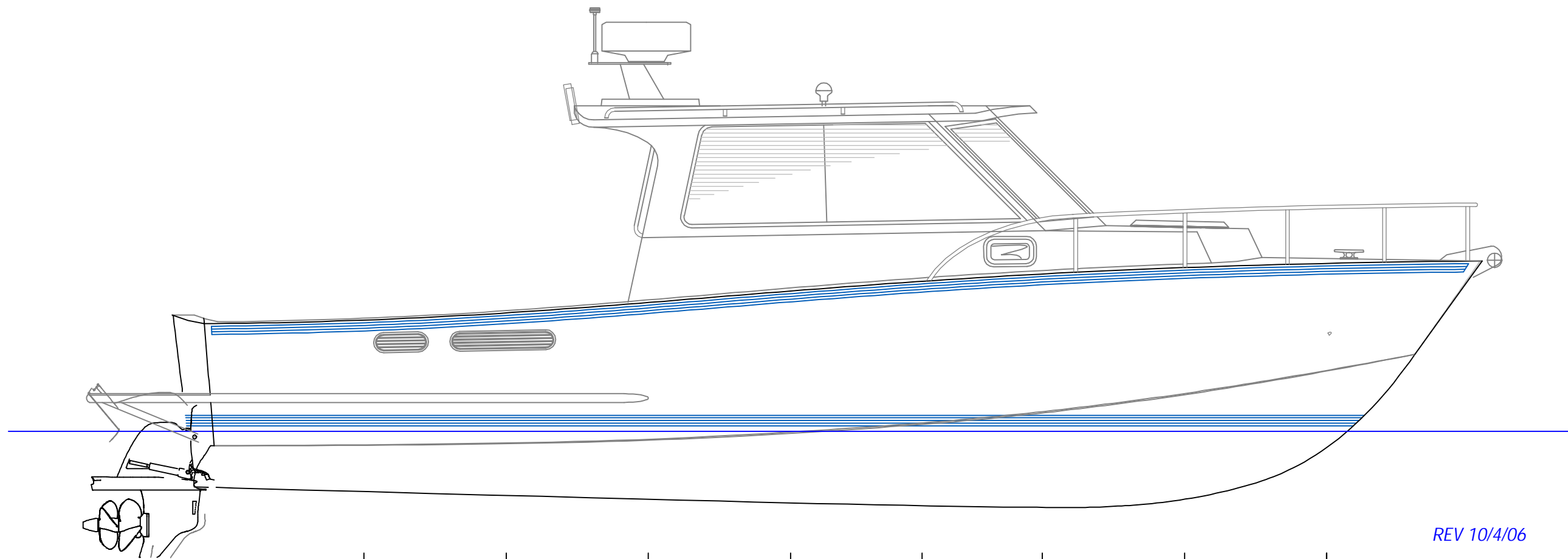
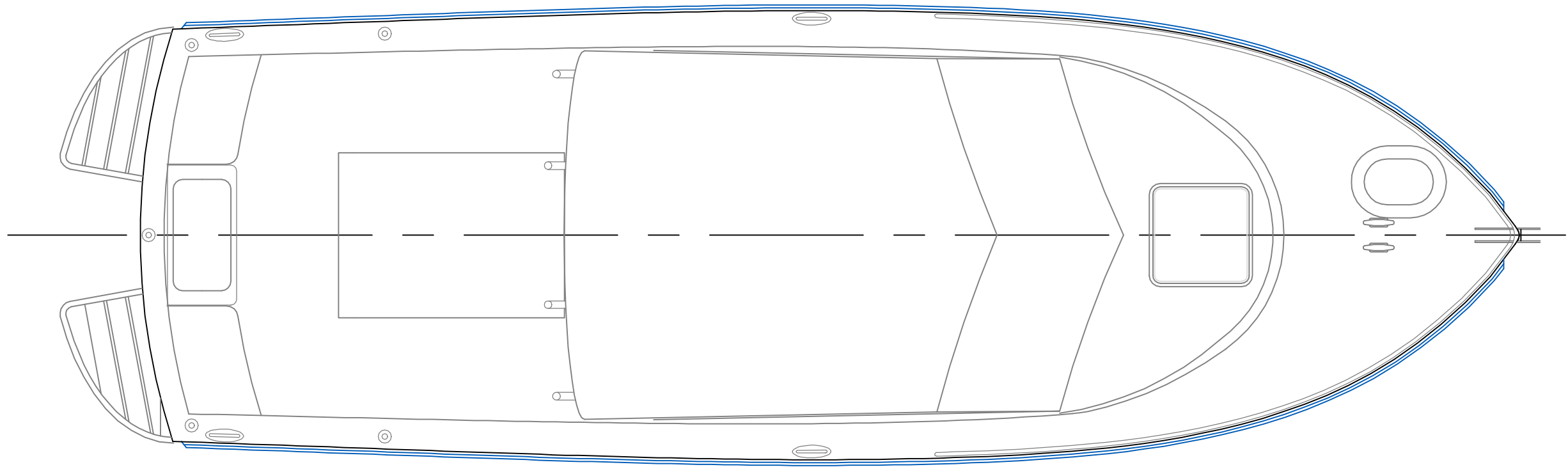
30' Fish/Cruise  
For: Ken Koelling

SCALE 3/8" = 1'	DES/DWN WAL	DATE 8/10/06
--------------------	----------------	-----------------

Response Marine, Inc.		SHEET
Newburyport, MA, www.responsemarine.com		DWG NO. 262-01

PRELIMINARY

REV.	DESCRIPTION



8                      7                      6                      5                      4                      3                      2                      1  
 WTBD                      WTBD                      WTBD                      WTBD                      WTBD                      WTBD                      WTBD  
 (Below Sole)                      (Below Sole)                      (Below Sole)                      (Below Sole)                      (Below Sole)                      (Below Sole)                      (Below Sole)

REV 10/4/06

OUTBOARD PLAN & PROFILE

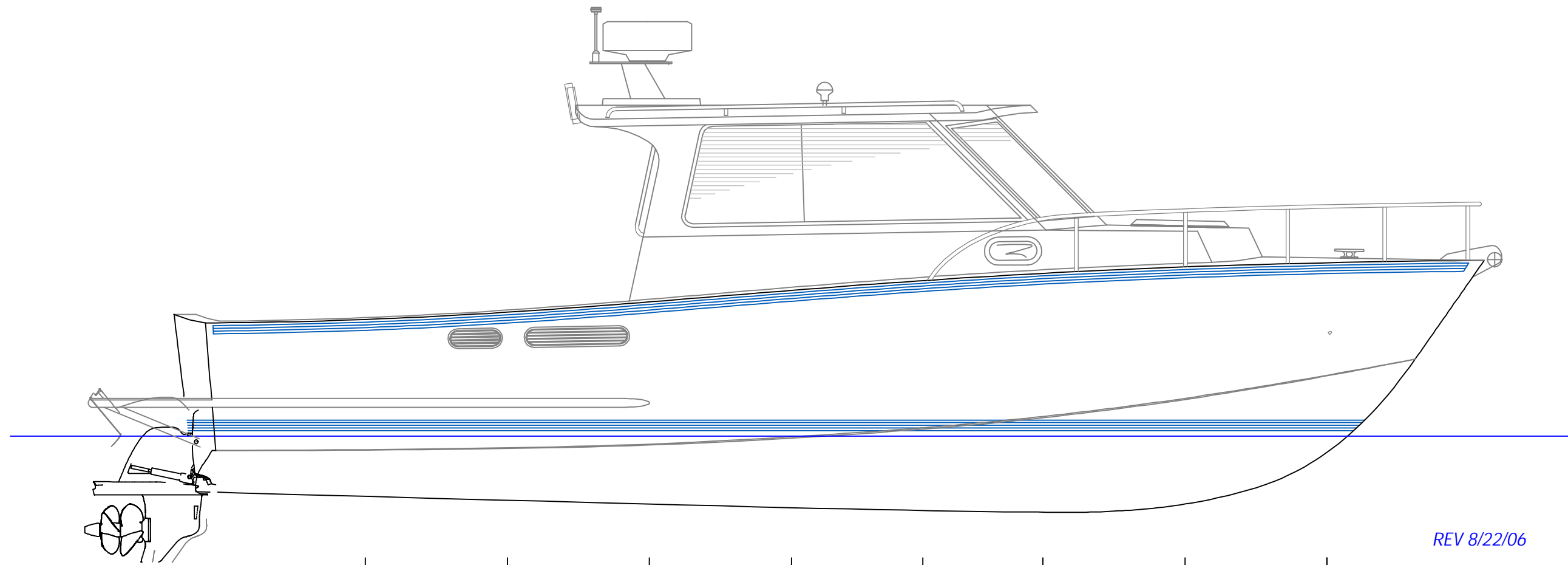
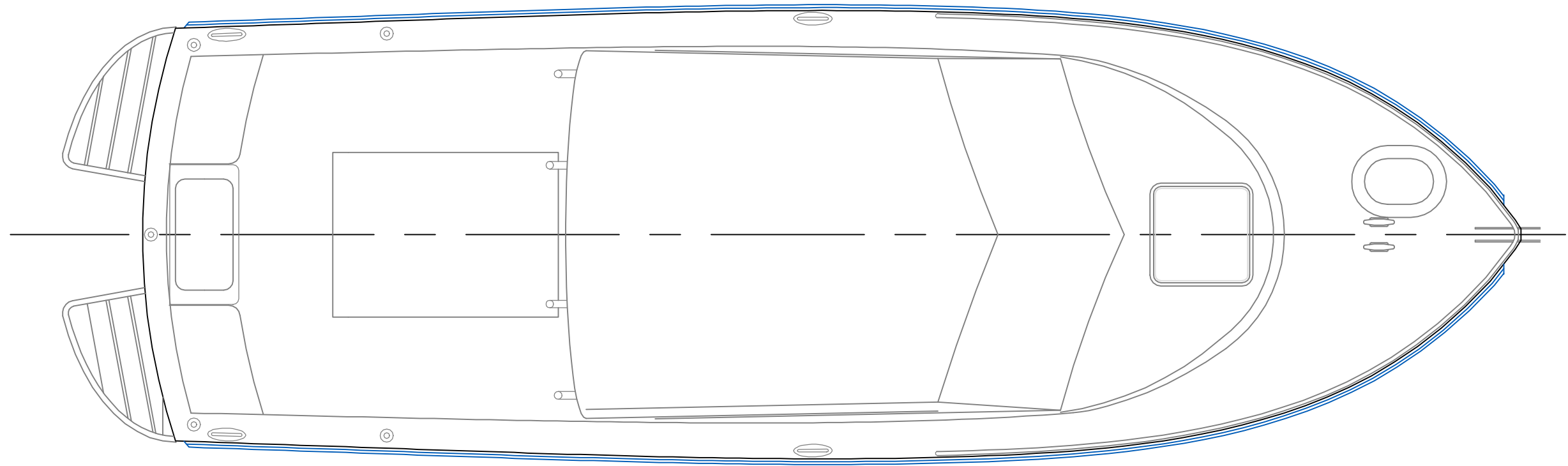
30' Fish/Cruise  
For: Ken Koelling

SCALE 3/8" = 1'	DES/DWN WAL	DATE 8/10/06
--------------------	----------------	-----------------

Response Marine, Inc.		SHEET
Newburyport, MA, www.responsemarine.com		DWG NO. 262-01

PRELIMINARY

REV.	DESCRIPTION



8                      7                      6                      5                      4                      3                      2                      1  
 WTBD                      WTBD                      WTBD                      WTBD                      WTBD                      WTBD                      WTBD  
 (Below Sole)                      (Below Sole)                      (Below Sole)                      (Below Sole)                      (Below Sole)                      (Below Sole)                      (Below Sole)

REV 8/22/06

OUTBOARD PLAN & PROFILE

30' Fish/Cruise  
For: Ken Koelling

SCALE 3/8" = 1'	DES/DWN WAL	DATE 8/10/06
--------------------	----------------	-----------------

Response Marine, Inc.		SHEET
Newburyport, MA, <a href="http://www.responsemarine.com">www.responsemarine.com</a>		DWG NO. 262-01

PRELIMINARY

REV.	DESCRIPTION