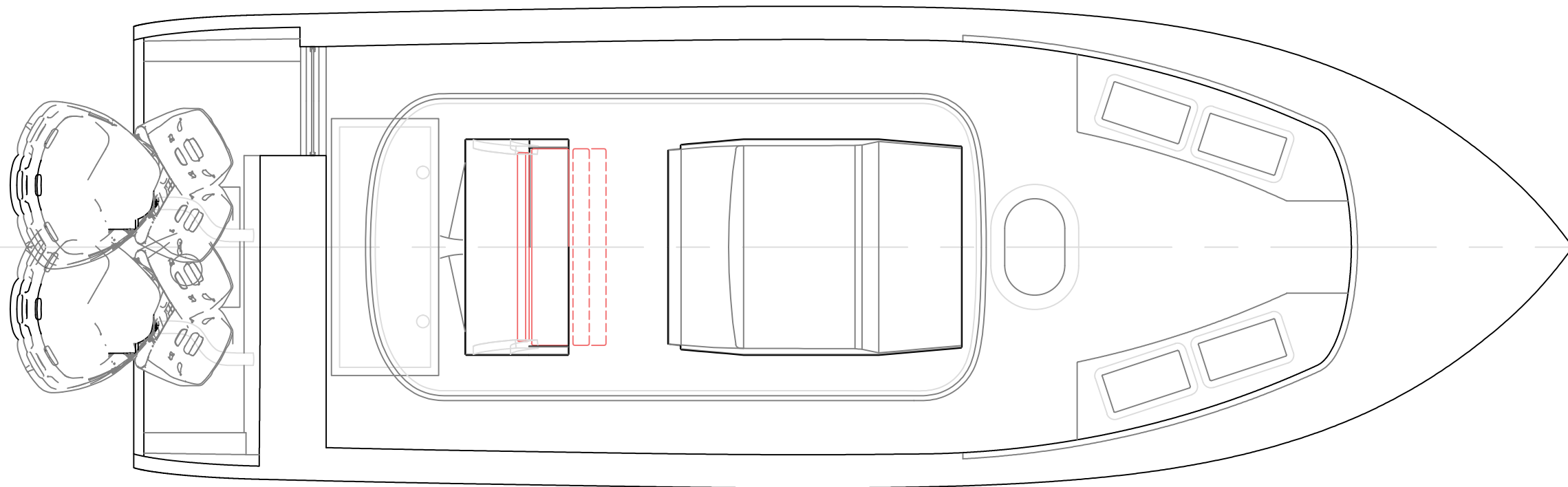


OUTBOARD PROFILE		
RS-290, Deckelman		
SCALE 3/8" = 1'	DES/DWN WAL/JCC	DATE 12/30/14
Response Marine, Inc. Newburyport, MA, www.responsemarine.com		SHEET DWG NO. 493-1

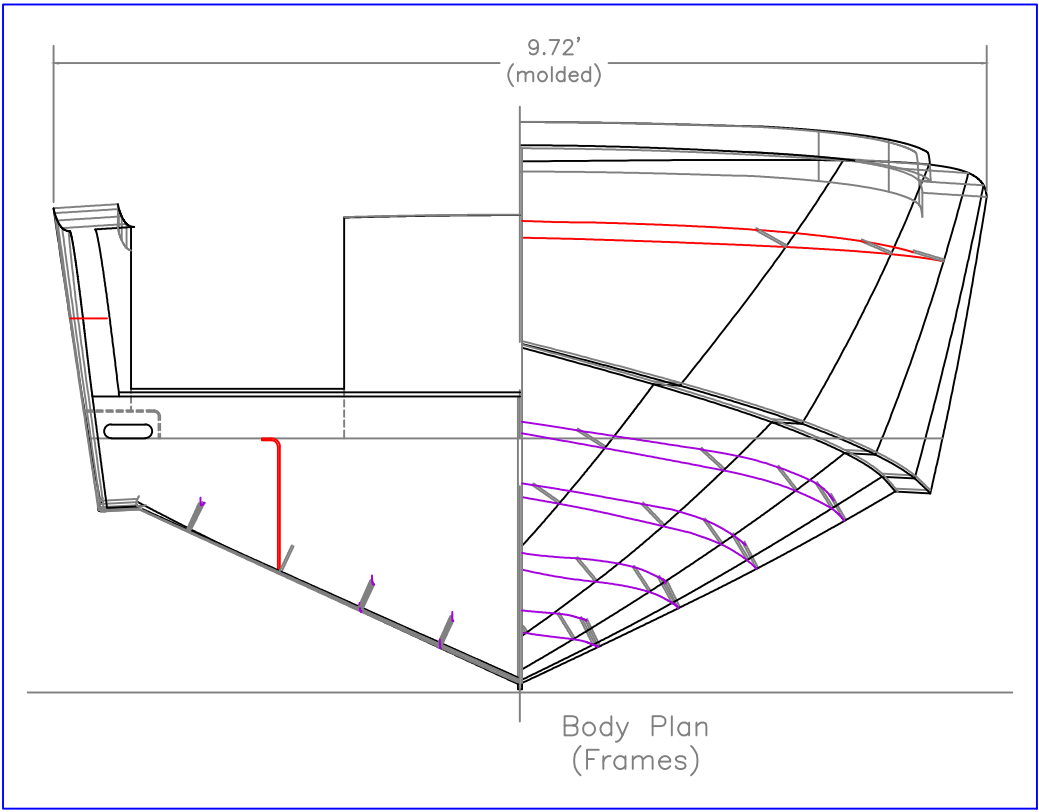
REV.	DESCRIPTION



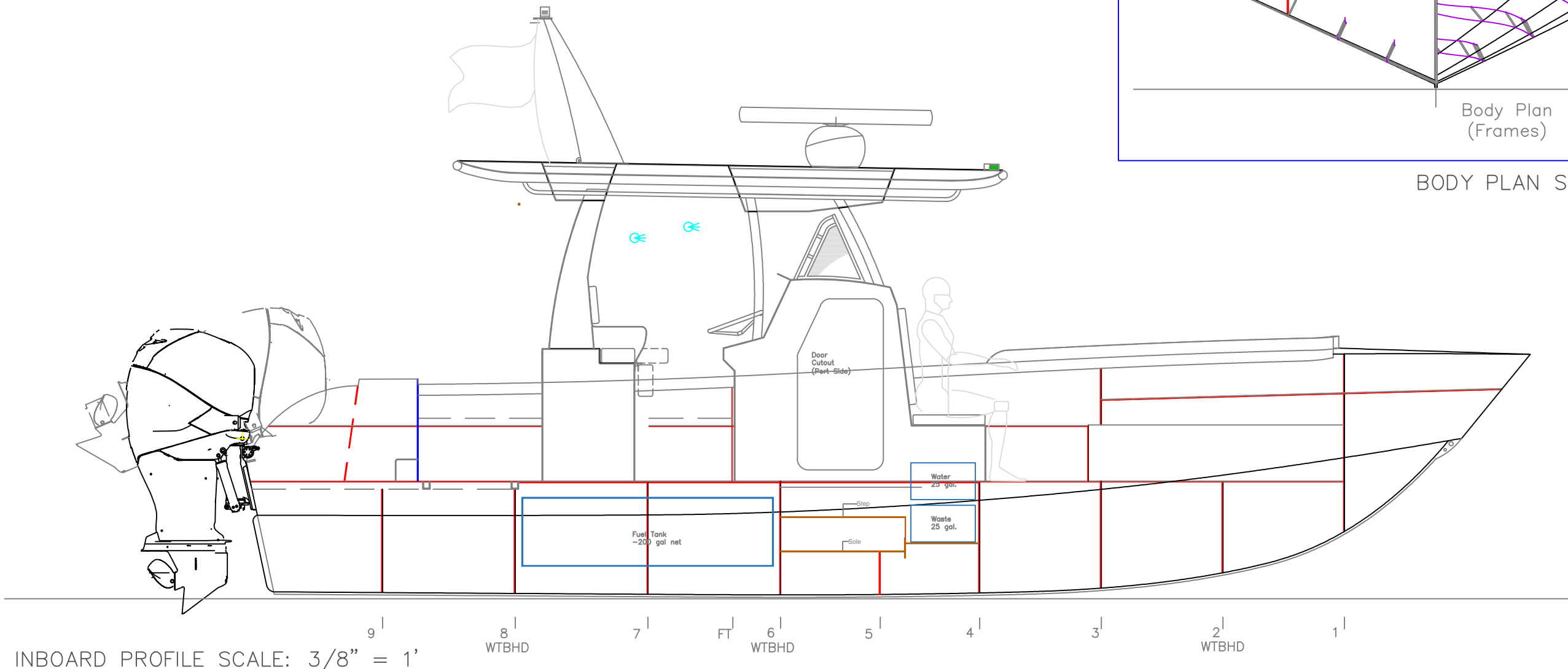
9' 8' WT BHD 7' FT 6' WT BHD 5' 4' 3' 2' WT BHD 1'

OUTBOARD PLAN		
RS-290, Deckelman		
SCALE 3/8" = 1'	DES/DWN WAL/JCC	DATE 12/30/14
Response Marine, Inc. Newburyport, MA, www.responsemarine.com		SHEET DWG NO. 493-2

REV. DESCRIPTION



BODY PLAN SCALE: 1/2" = 1'



INBOARD PROFILE SCALE: 3/8" = 1'

INBOARD PROFILE & BODY		
RS-290, Deckelman		
SCALE NOTED	DES/DWN WAL/JCC	DATE 12/30/14
Response Marine, Inc. Newburyport, MA, www.responsemarine.com		SHEET DWG NO. 493-3

REV.	DESCRIPTION