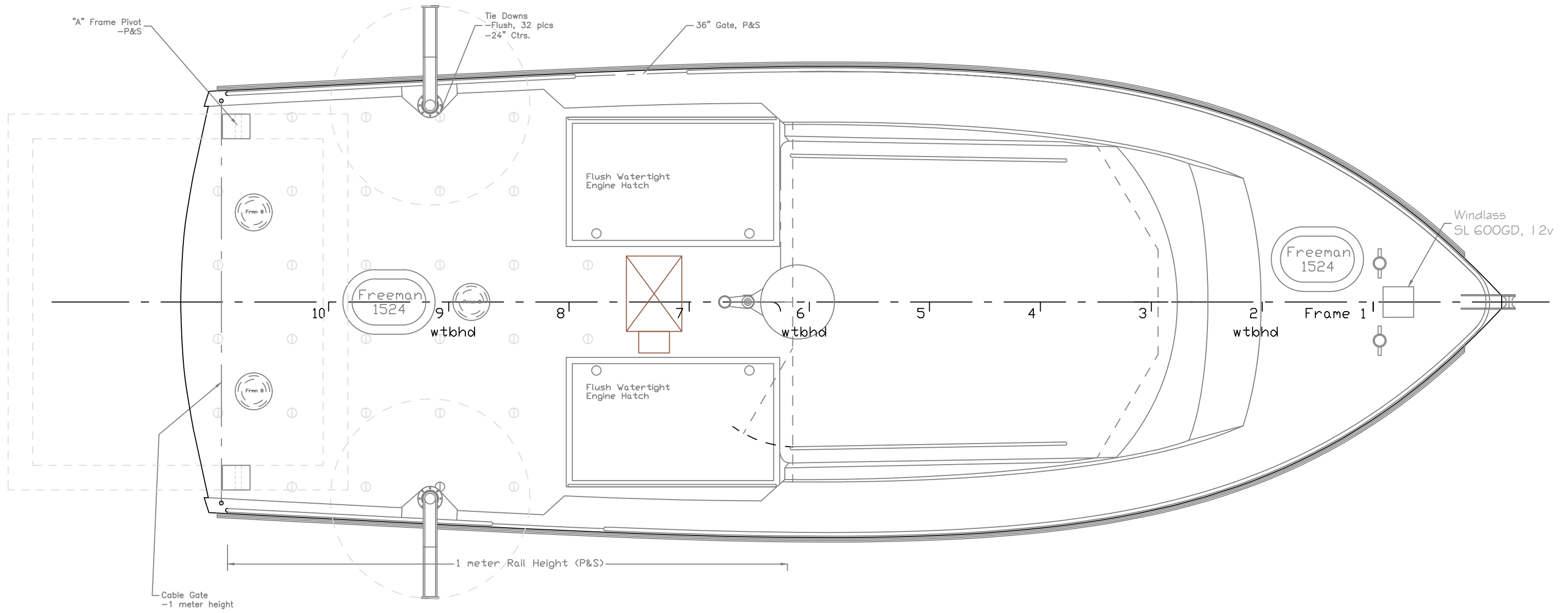


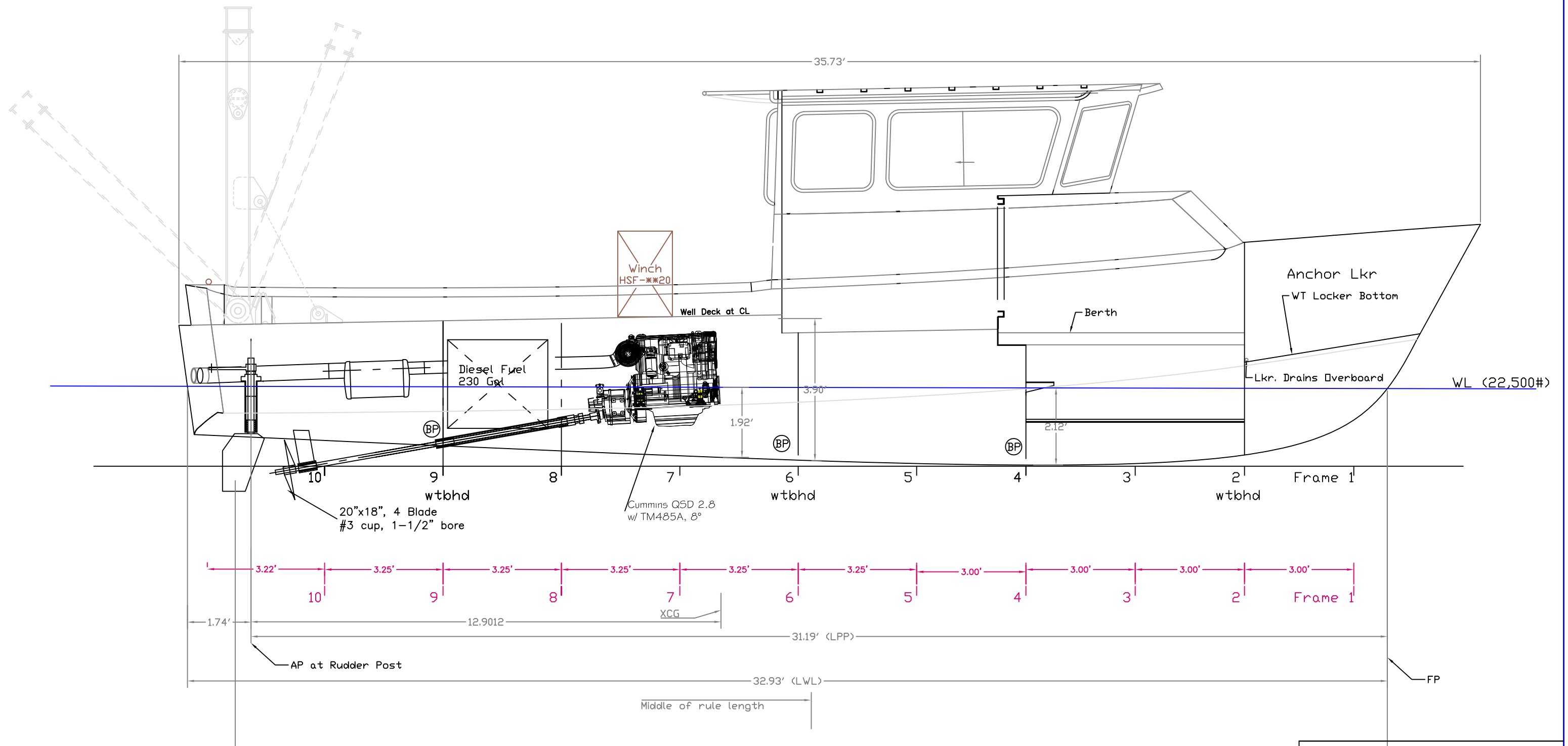
REV.	DESCRIPTION
12/23/10,	Aft Awning, RAM Mast
08/29/11,	Modify A-Frame

OUTBOARD PROFILE		
11m R/V- USCG ALUMNI ASSOCIATION		
SCALE 3/8" = 1'	DES/DWN WAL/JCC	DATE 08/30/11
Response Marine, Inc. Newburyport, MA, www.responsemarine.com		SHEET DWG NO. 379-1-1

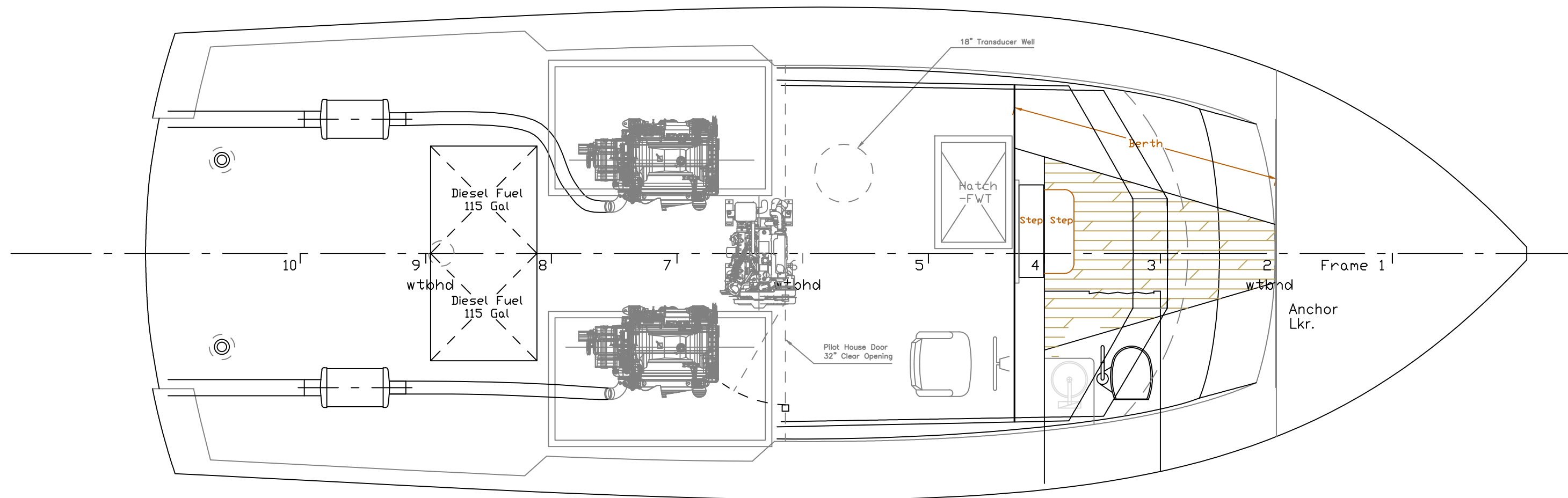


OUTBOARD PLAN		
11m R/V- USCG ALUMNI ASSOCIATION		
SCALE 3/8" = 1'	DES/DWN WAL/JCC	DATE 08/30/11
Response Marine, Inc. Newburyport, MA, www.responsemarine.com		SHEET DWG NO. 379-1-2

REV.	DESCRIPTION
08/30/11	Modify A-Frame



REV.			INBOARD PROFILE		
1. 12/22/10 Prop Changed to 20"x20"			11m R/V- USCG ALUMNI ASSOCIATION		
2. 08/29/11 ENG Changed to QSD 2.8			SCALE	DES/DWN	DATE
3. 12/19/11 Adjust WL, add rule lengths			3/8" = 1'	WAL/JCC	08/30/11
			Response Marine, Inc.		REV
			Newburyport, MA, www.responsemarine.com		12/19/11
					DWG NO.
					379-1-3, R3



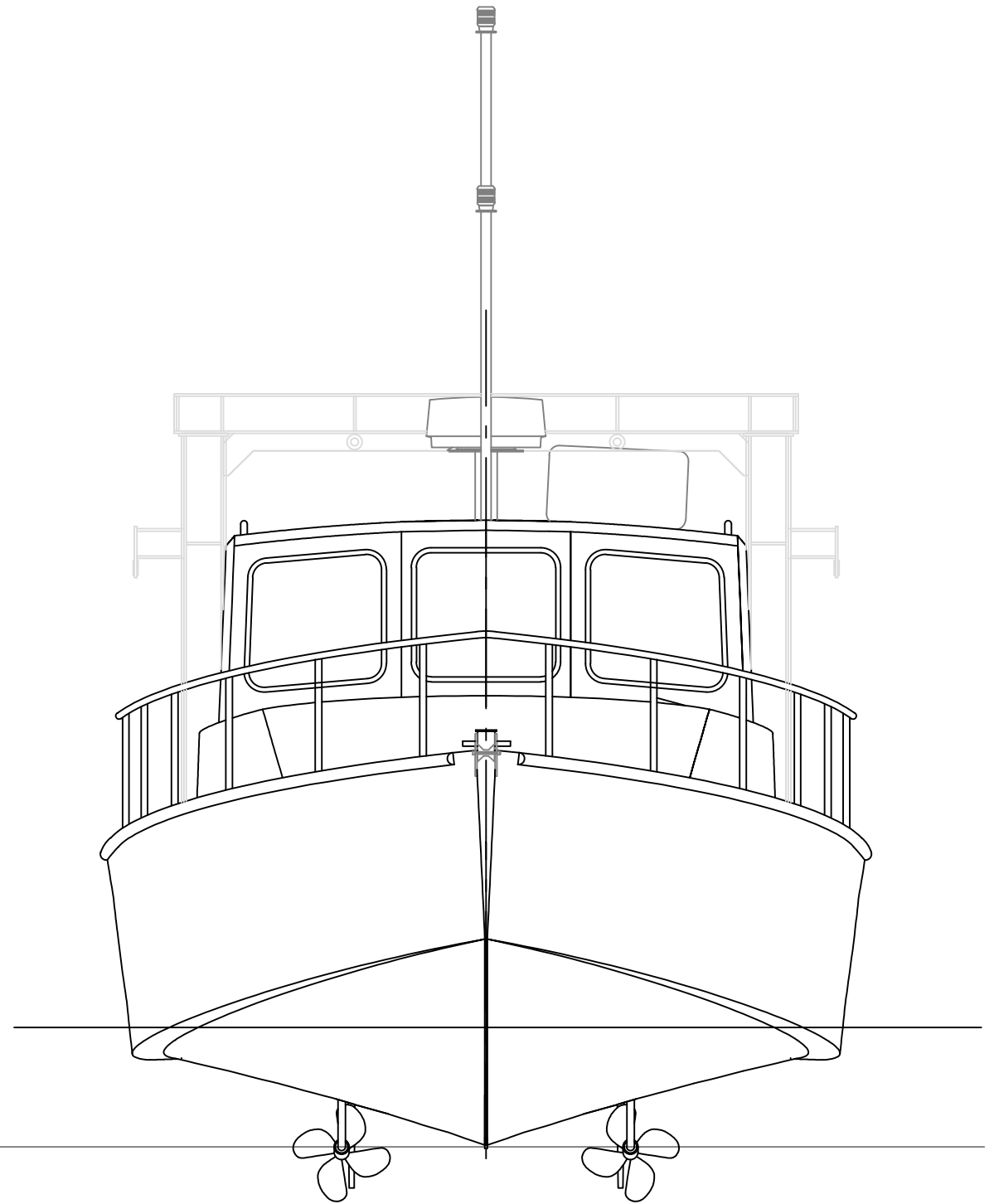
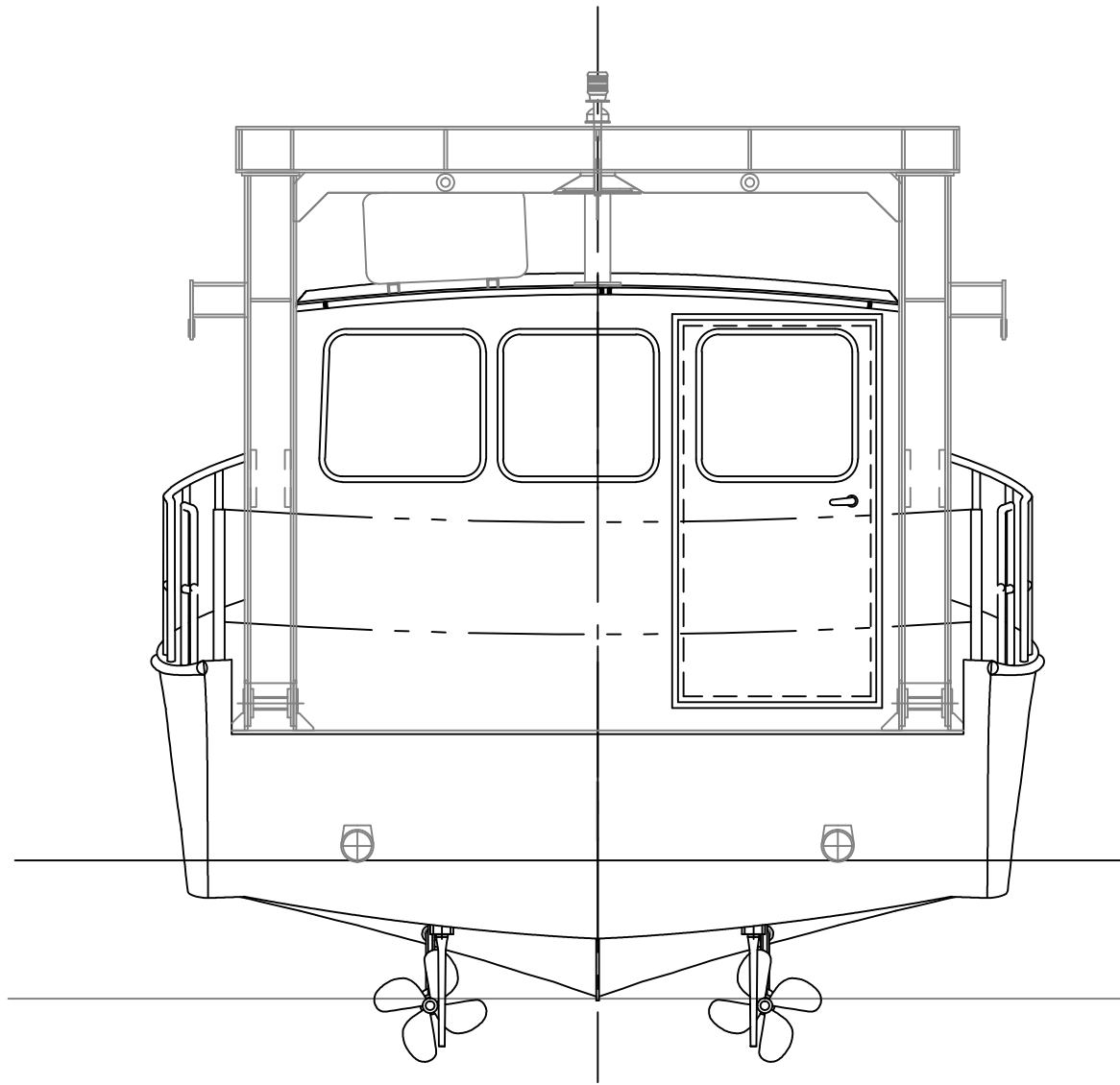
INBOARD PLAN

11m R/V- USCG ALUMNI ASSOCIATION

SCALE 3/8" = 1'	DES/DWN WAL/JCC	DATE 08/30/11
--------------------	--------------------	------------------

Response Marine, Inc.		SHEET
Newburyport, MA, www.responsemarine.com		DWG NO. 379-1-4

REV.	DESCRIPTION



BOW/STERN VIEWS

11m R/V- USCG ALUMNI ASSOCIATION

REV.	DESCRIPTION
1/3/11,	RAM Mast
8/29/11,	A-Frame

SCALE	DES/DWN	DATE
3/8" = 1'	WAL/JCC	08/30/11
Response Marine, Inc.		SHEET
Newburyport, MA, www.responsemarine.com		DWG NO. 379-1-8