

MAIN VIEWS

18' Skiff		
For: White Metal Welding		
SCALE 1/2" = 1'	DES/DWN WAL	DATE 3/29/15
Response Marine, Inc.		SHEET
Newburyport, MA, www.responsemarine.com		DWG. NO. 502-01

DRAWING LIST

Design	Dwg	Description	Customer	Date
18' Version of Bullshark for Brendan, White Metal Welding				
	502 -01	Outboard Views		3/30/15
	-02	Inboard Views		3/30/15
	2-1	Keel Layout		3/30/15
	2-2	Girder Layout		3/30/15
	2-3	Skin Layout		3/30/15
	2-4	Cockpit Sole Layout		3/30/15
	2-5	Transom		3/30/15
	2-6	Bow		3/30/15
	2-7	Side Deck Layout		3/30/15
	2-8	Fwd Bench		3/30/15
	4-1	Console		3/30/15
	4-2	Push Knees		3/30/15
	C-1	Typical Skin Joints		3/30/15
	F-R	Frame Dimensions		3/30/15
	Frame dwgs	.. F1 thru F5		3/30/15

Response Marine, Inc.

Boat: wmw 18

File: \Des\Sound\Bullshark\Derivatives\WMW18

Rev. Date: 3/25/15

Print Date: 3/30/15

1/8" Parts- 5052 Stock

<u>Part #</u>	<u>Pieces</u>	<u>Description</u>	<u>Bend</u>
C-1P	1	Console Sides	
C-1S	1	Console Sides	
C-2	1	Console Top/Front Face	Y- on marks tight radius
C-3	1	Console Back	Y- on marks tight radius
C-4	1	Console Seat	Y- on marks tight radius
C-5	1	Console Seat Lid	Y- on marks tight radius
	6	Sub Total 1/8" 5052 parts	

3/16" Parts- 5052

<u>Part #</u>	<u>Pieces</u>	<u>Description</u>	<u>Bend</u>
BNCH-H	1	Forward Bench, Horizontal	
BNCH-V	1	Forward Bench, Vertical	
HC-S	2	Hatch Cover Stiffeners (at step deck)	
HC-S	1	Hatch Cover (at step deck)	
HC-L	1	Hatch Cover Lip (at step deck)	
BS2-B	2	Bottom Stringer 2, Aft	
F1	1	Frame 1	
F2	1	Frame 2	
F2P	1	Frame 2, port	
F2S	1	Frame 2, stbd	
F3	1	Frame 3	
F3-P	1	Frame 3, port	
F3-S	1	Frame 3, stbd	
F4	1	Frame 4	
F4-P	1	Frame 4, port	
F4-S	1	Frame 4, stbd	
F5	1	Frame 5	
F5-P	1	Frame 5, port	
F5-S	1	Frame 5, stbd	
	21	Sub Total 3/16" 5086 parts	

3/16" Parts- 5086 Marine

Bend

<u>Part #</u>	<u>Pieces</u>	<u>Description</u>	
ALB	1	Anchor Locker Bottom	
BOW	1	Bow	
B-P	1	Bottom, Port	
BR	1	Bow Rub Vertical for Fabrication	
B-S	1	Bottom, Stbd	
DB-AP	1	Deck Body, Fwd of F3, Port	
DB-AS	1	Deck Body, Fwd of F3, Stbd	
DB-B	1	Deck Body, F3-F5	
DB-C	1	Deck Body, F5-Tran	
DM-P	1	Sole Margin, Port	
DM-S	1	Sole Margin, Stbd	
PK-1P	1	Push Knee, Deck Doubler, Port	
PK-1S	1	Push Knee, Deck Doubler, Stbd	
PK-2P	1	Push Knee, Bow Doubler, Port	
PK-2S	1	Push Knee, Bow Doubler, Stbd	
SD-P	1	Side & Foredeck, Port	
SD-S	1	Side & Foredeck, Stbd	
TR-CP	1	Transom Corner Radius, Port	Y, Bump
TR-CS	1	Transom Corner Radius, Stbd	Y, Bump
TS-P	1	Topsides, Port	
TS-S	1	Topsides, Stbd	
	21	Sub Total 3/16" 5086 parts	

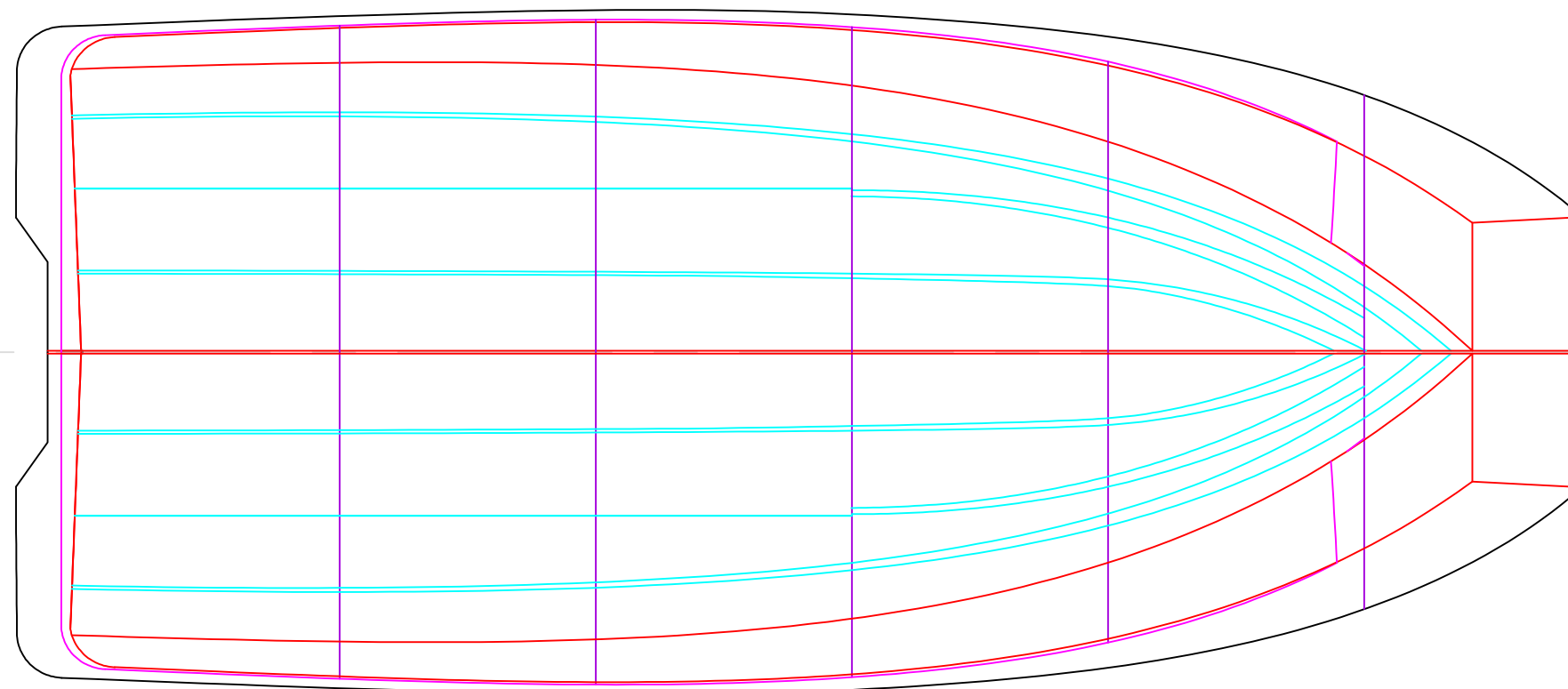
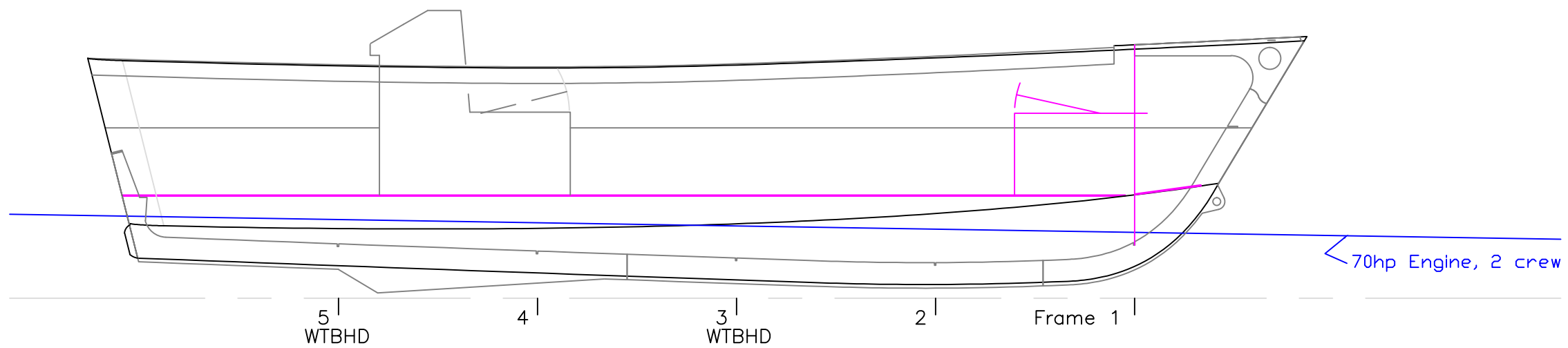
1/4" Parts- 5086 H116 Marine

BS	2	Bow Stiffener, Vertical	
BS-1P	1	Bottom Stringer 1, Port	
BS-1S	1	Bottom Stringer 1, Stbd	
BS2-AP	1	Bottom Stringer 2, fwd, Port	
BS2-AS	1	Bottom Stringer 2, fwd, Stbd	
BS-3P	1	Bottom Stringer 3, Port	
BS-3S	1	Bottom Stringer 3, Stbd	
C-P	1	Chine Port	
C-S	1	Chine Starboard	
FDC	1	Foredeck Coaming	
PK-3	2	Push Knee, Main Web	
PK-4P	1	Push Knee, Upper Flange, Port	
PK-4S	1	Push Knee, Upper Flange, Stbd	
PK-6	2	Push Knee, Lower Flanges	
SDC-P	1	Side Deck Coaming, Port	
SDC-S	1	Side Deck Coaming, Stbd	
TR	1	Transom	
TR-L	1	Transom Lip	
TSS-A	1	Topsides Stringer, Bow transverse	
TSS-P	1	Topsides Stringer, Port	
TSS-S	1	Topsides Stringer, Stbd	

24 Sub Total 1/4" Parts

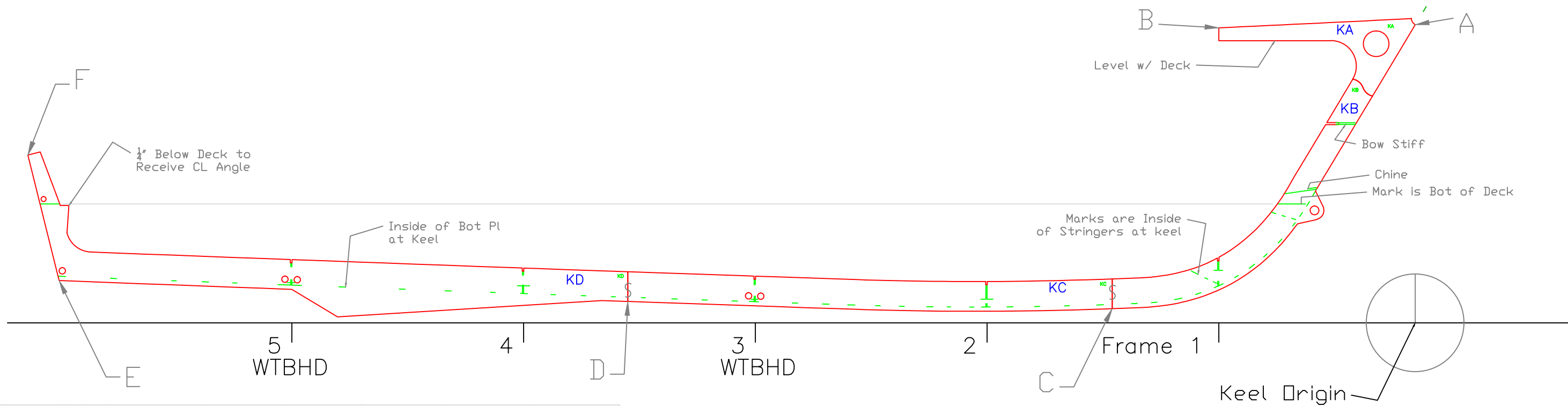
3/8" Parts 5086 H116 Marine

<u>Part #</u>	<u>Pieces</u>	<u>Description</u>
KA	1	Keel, Stem Tip/Foredeck
KB	1	Keel, Fwd
KC	1	Keel, Mid
KD	1	Keel, Aft
PK-5	2	Push Knee, Face Flange
	6	Total 3/8" parts
	78	Total Parts



Inboard Views

18' Skiff		
For: White Metal Welding		
SCALE 1/2" = 1'	DES/DWN WAL	DATE 3/29/15
Response Marine, Inc.		SHEET
Newburyport, MA, www.responsemarine.com		DWG. NO. 502-02



Response Marine, Inc.
 WMW 18 3/30/15
 Keel Points

	Inches- sixteenths		Feet	
	Horizontal	Vertical	Horizontal	Vertical

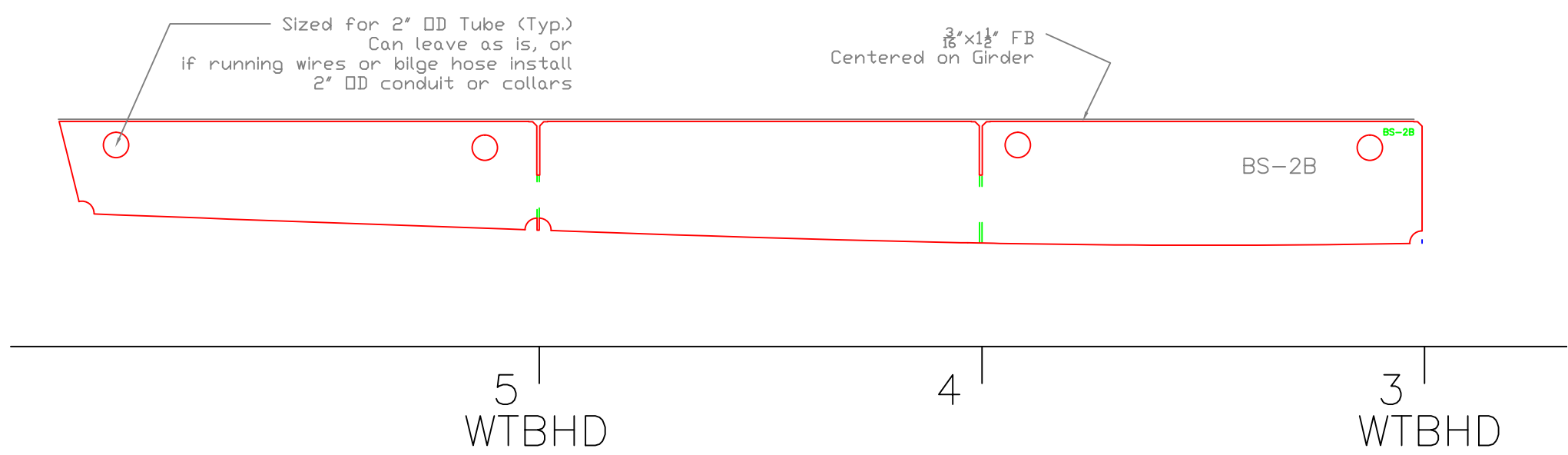
A to Origin				
B to Origin				
C to Origin				
D to Origin				
E to Origin				
F to Origin				
A to Origin				
B to Origin				
C to Origin				
D to Origin				
E to Origin				
F to Origin				
AL				
A to				
B to				
C to				
D to				
E to				
F to				
AL				
A to				
B to				
C to				
D to				
E to				
F to				

KEEL LAYOUT

18' Skiff

For: White Metal Welding

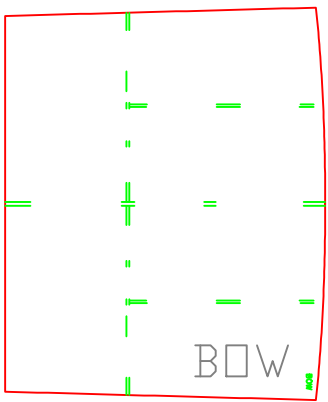
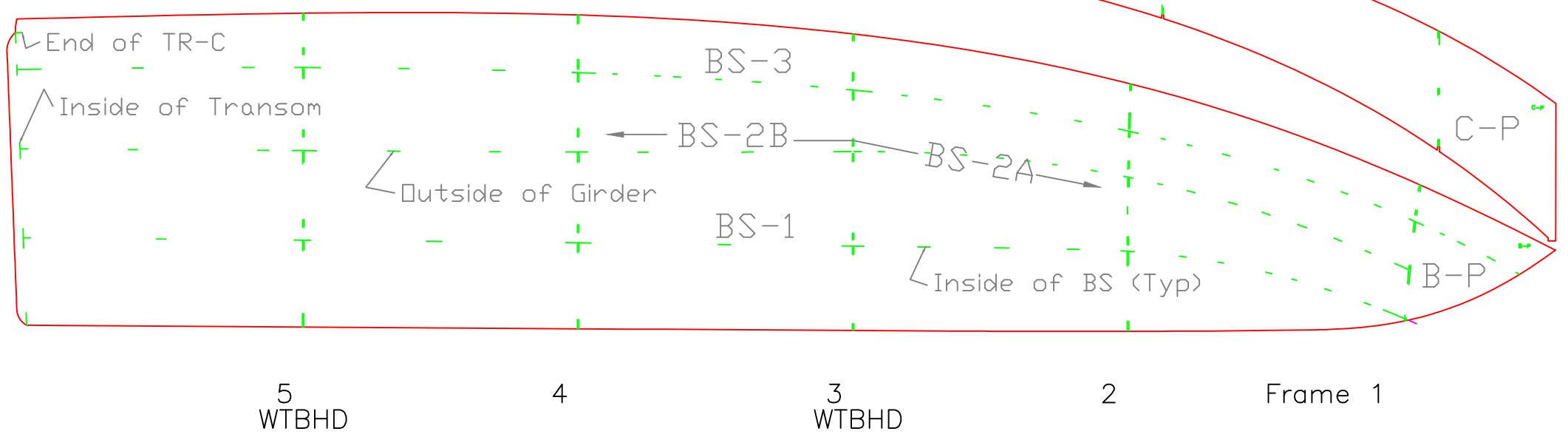
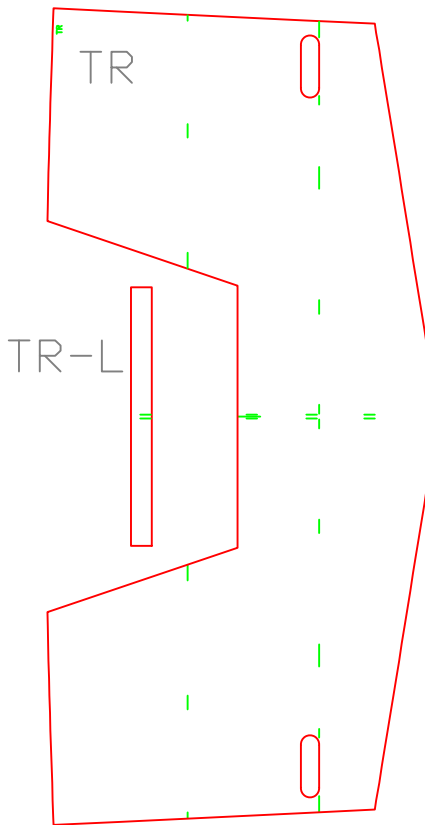
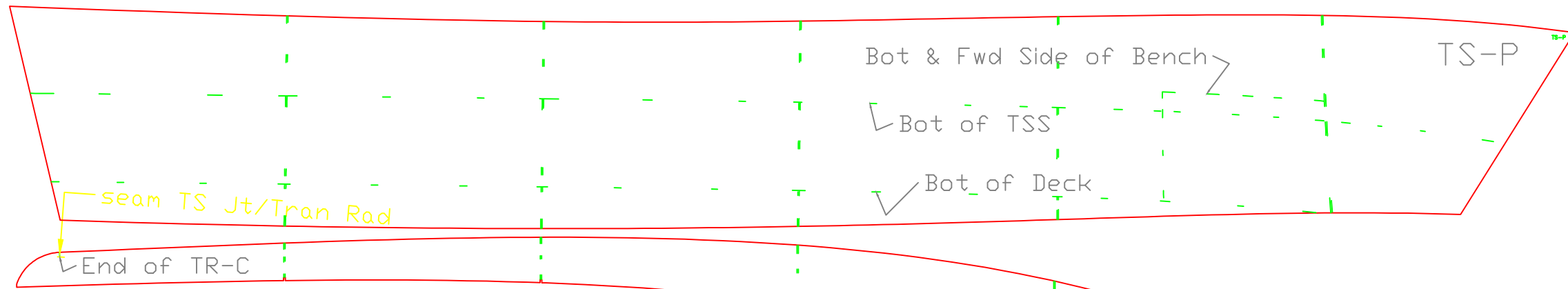
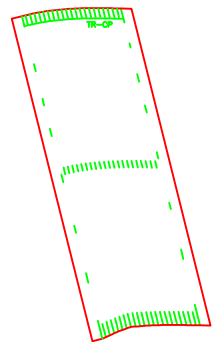
SCALE 3/4" = 1'	DES/DWN WAL	DATE 3/30/15
Response Marine, Inc. Newburyport, MA, www.responsemarine.com		SHEET DWG. NO. 502-2-1



GIRDER LAYOUT

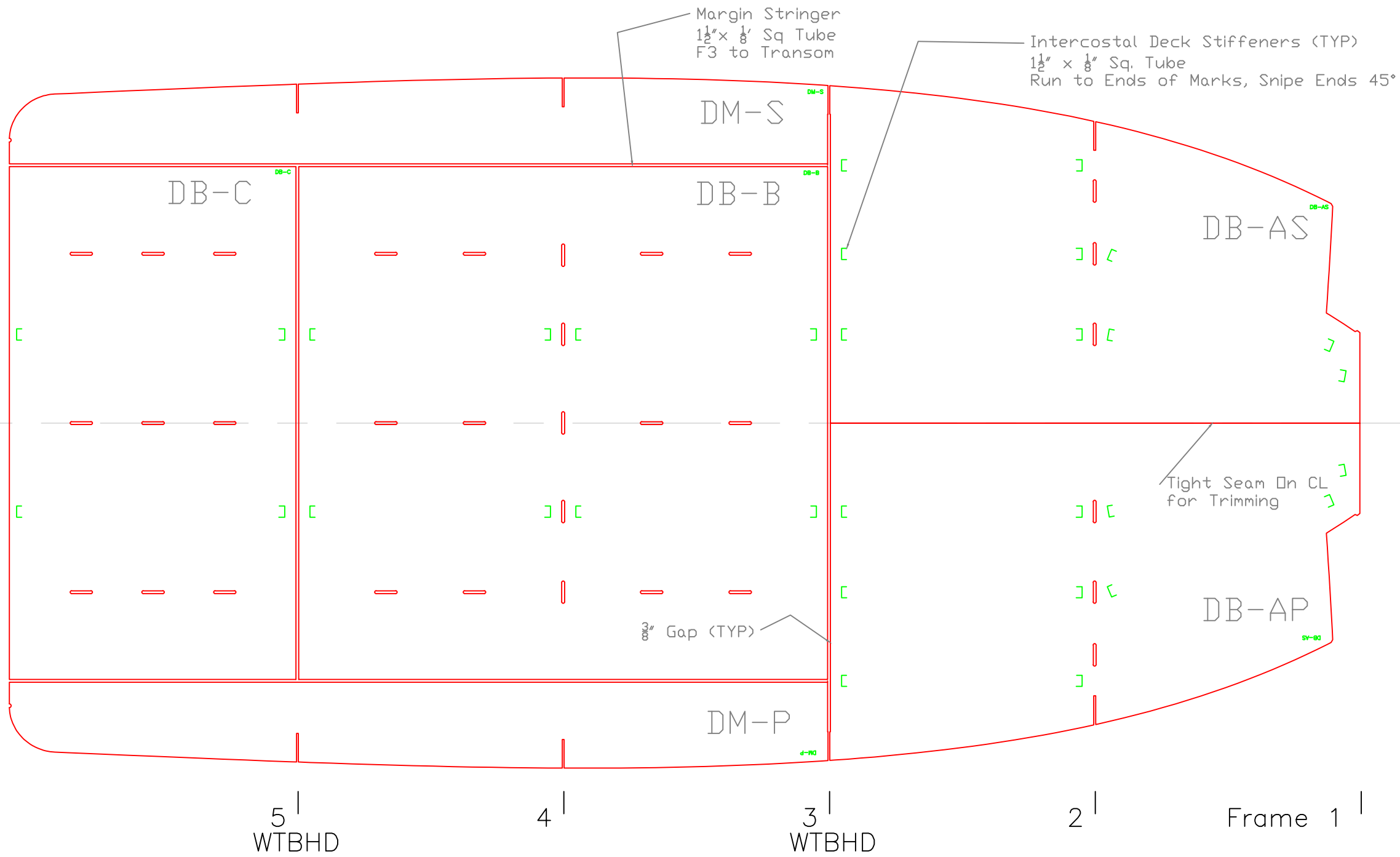
18' Skiff		
For: White Metal Welding		
SCALE NONE	DES/DWN WAL	DATE 3/30/15
Response Marine, Inc.		SHEET
Newburyport, MA, www.responsemarine.com		DWG. NO. 502-2-2

TR-CP



SKIN LAYOUT

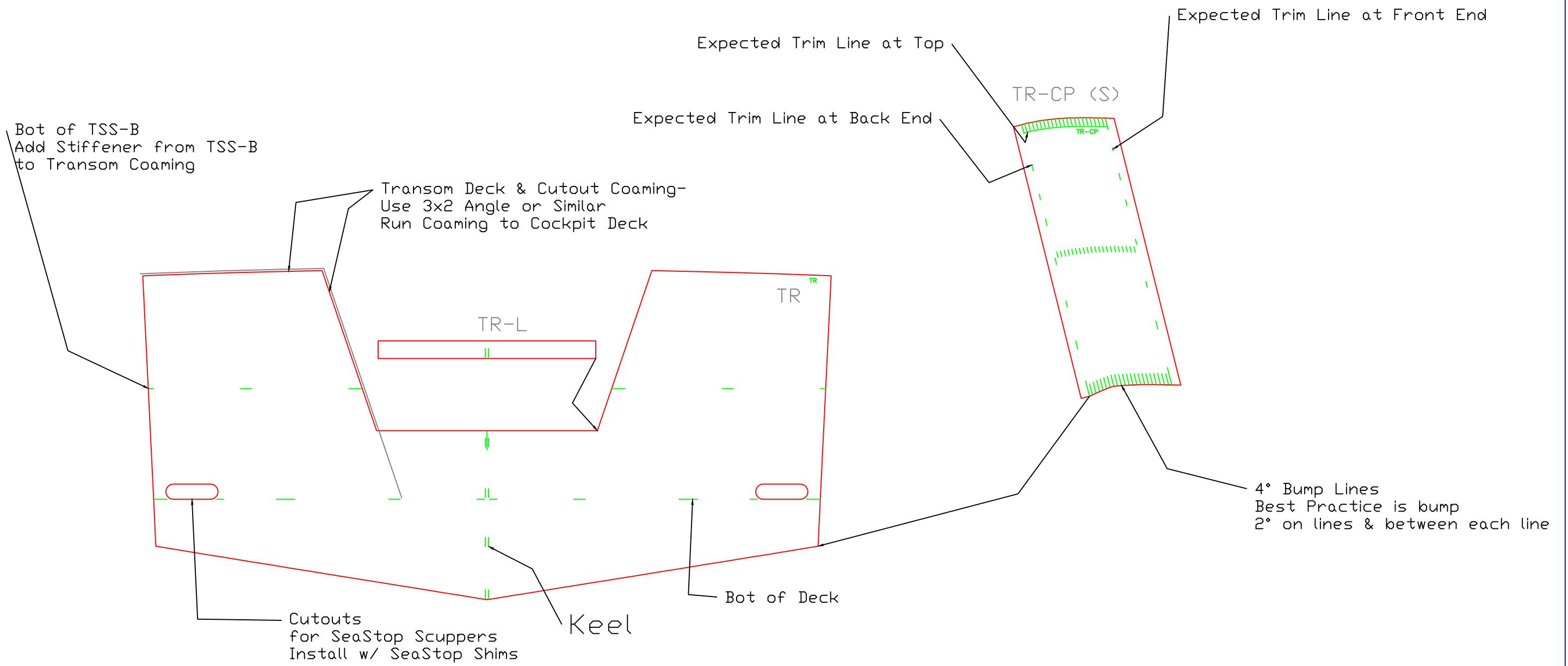
18' Skiff		
For: White Metal Welding		
SCALE NONE	DES/DWN WAL	DATE 3/30/15
Response Marine, Inc.		SHEET
Newburyport, MA, www.responsemarine.com		DWG. NO. 502-2-3



Viewed From Below
 There are two parts labeled DP-AS (one of which is actually DB-AP)

COCKPIT SOLE LAYOUT

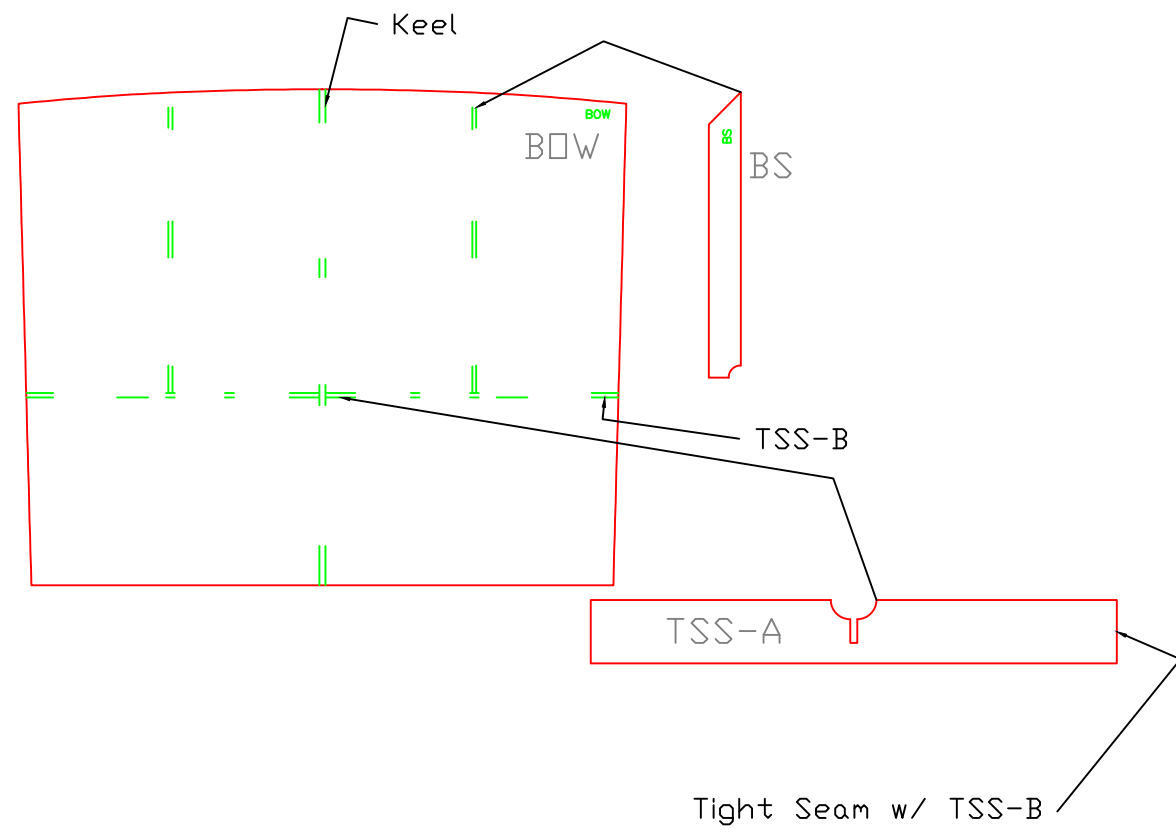
18' Skiff		
For: White Metal Welding		
SCALE 3/4" = 1'	DES/DWN WAL	DATE 3/30/15
Response Marine, Inc.		SHEET
Newburyport, MA, www.responsemarine.com		DWG. NO. 502-2-4



Note: Transom Lip Height is for 20" shaft, mounted in second bolt hole (i.e. $\frac{3}{4}$ " above lip)

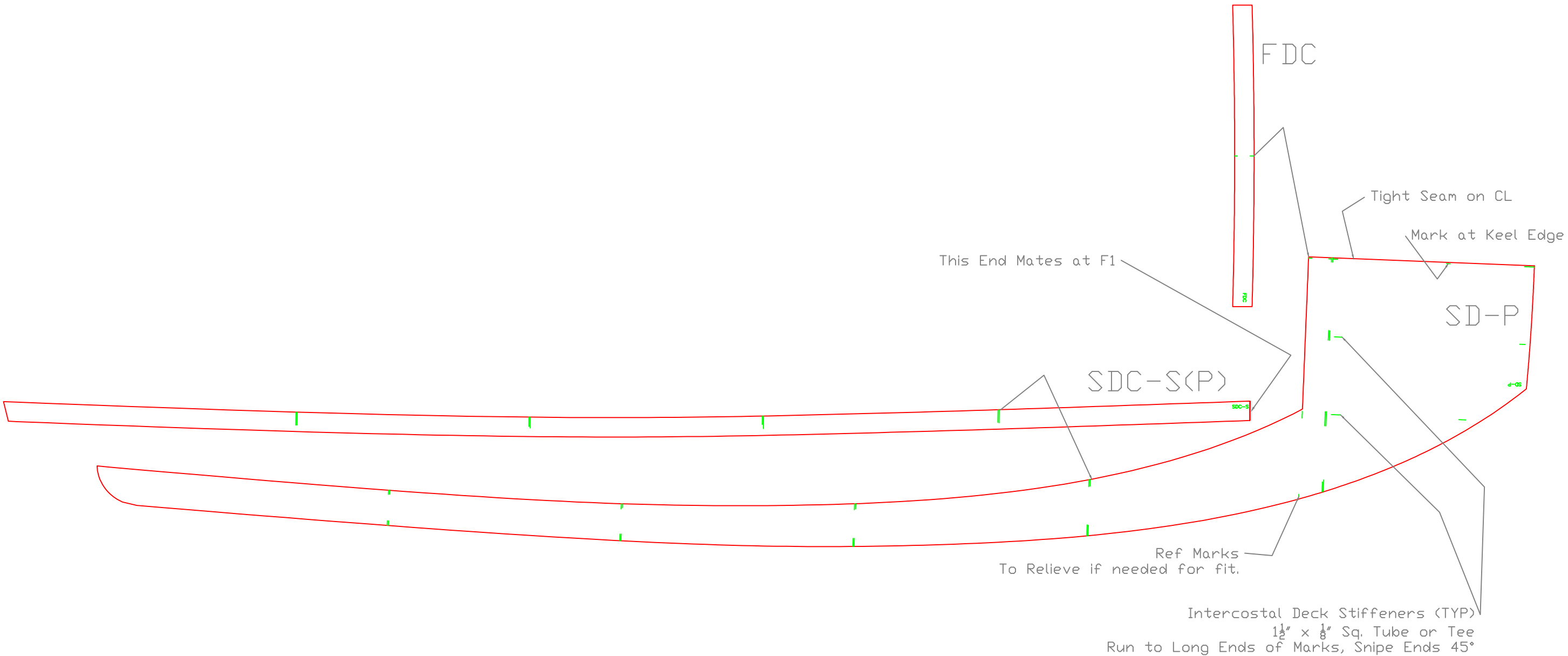
TRANSOM

18' Skiff		
For: White Metal Welding		
SCALE 1"=1'	DES/DWN WAL	DATE 3/30/15
Response Marine, Inc.		SHEET
Newburyport, MA, www.responsemarine.com		DWG. NO. 502-2-5



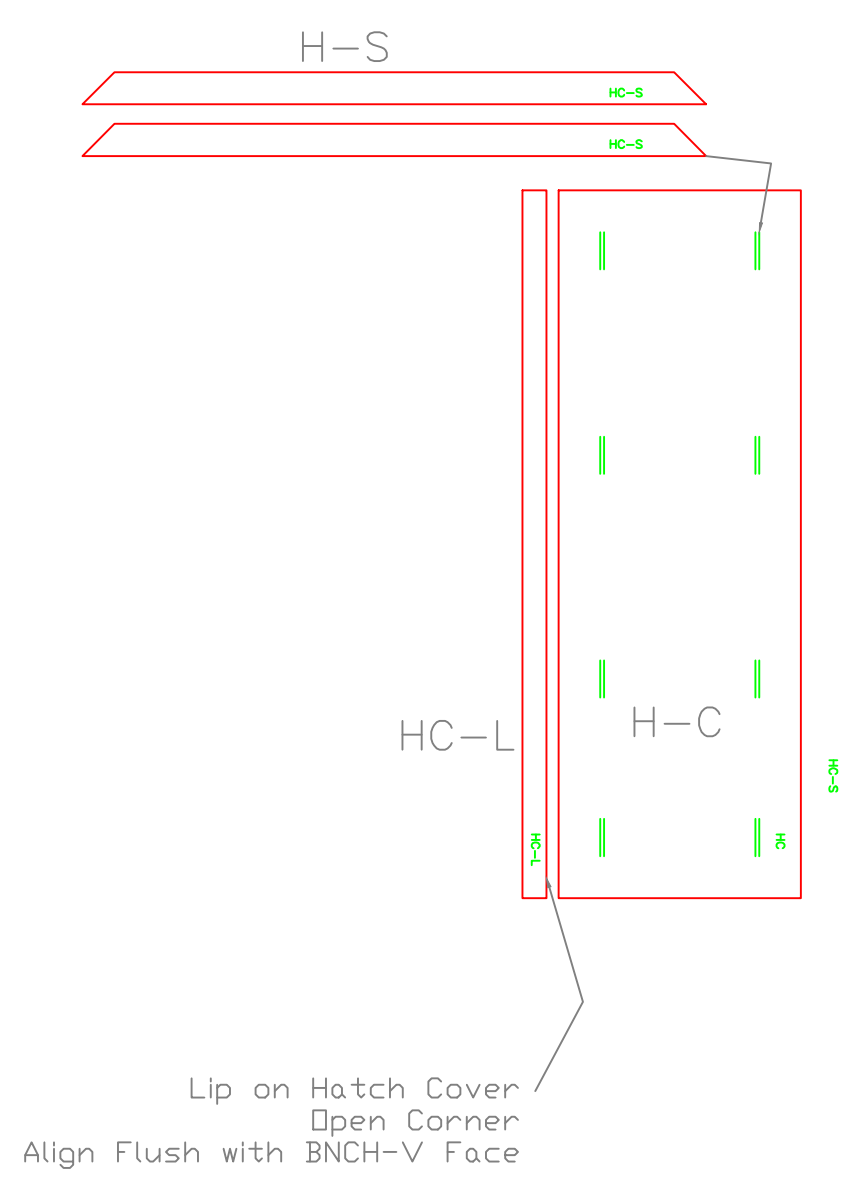
BOW

18' Skiff		
For: White Metal Welding		
SCALE 1"=1'	DES/DWN WAL	DATE 3/30/15
Response Marine, Inc.		SHEET
Newburyport, MA, www.responsemarine.com		DWG. NO. 502-2-6

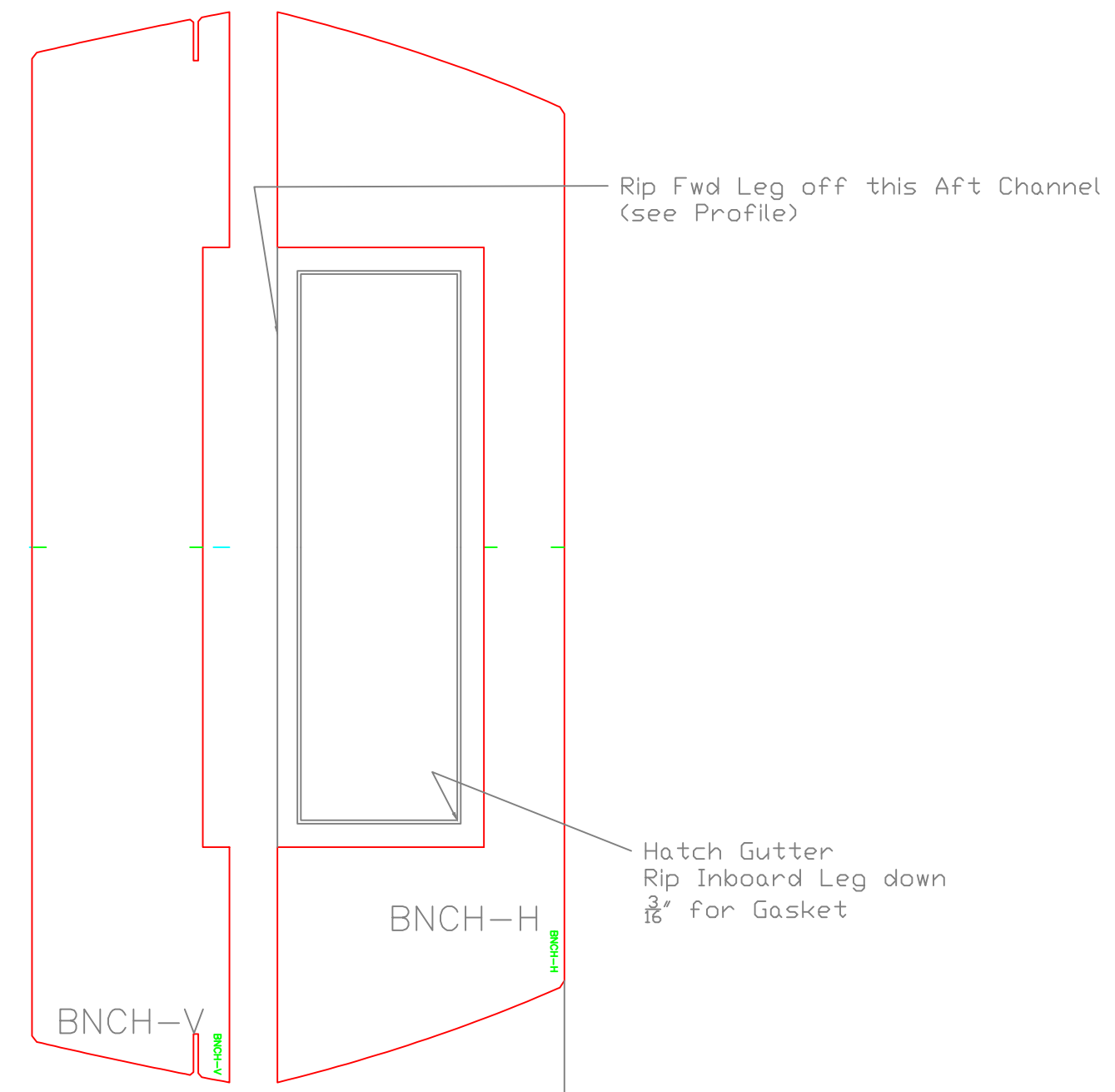


SIDE DECK LAYOUT

18' Skiff		
For: White Metal Welding		
SCALE 3/4"=1'	DES/DWN WAL	DATE 3/30/15
Response Marine, Inc.		SHEET
Newburyport, MA, www.responsemarine.com		DWG. NO. 502-2-7

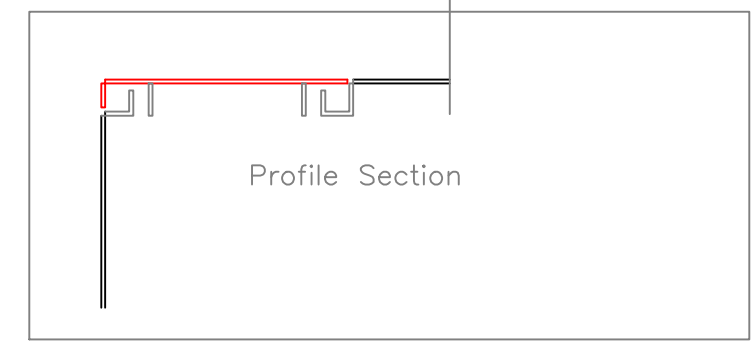


Lip on Hatch Cover
Open Corner
Align Flush with BNCH-V Face



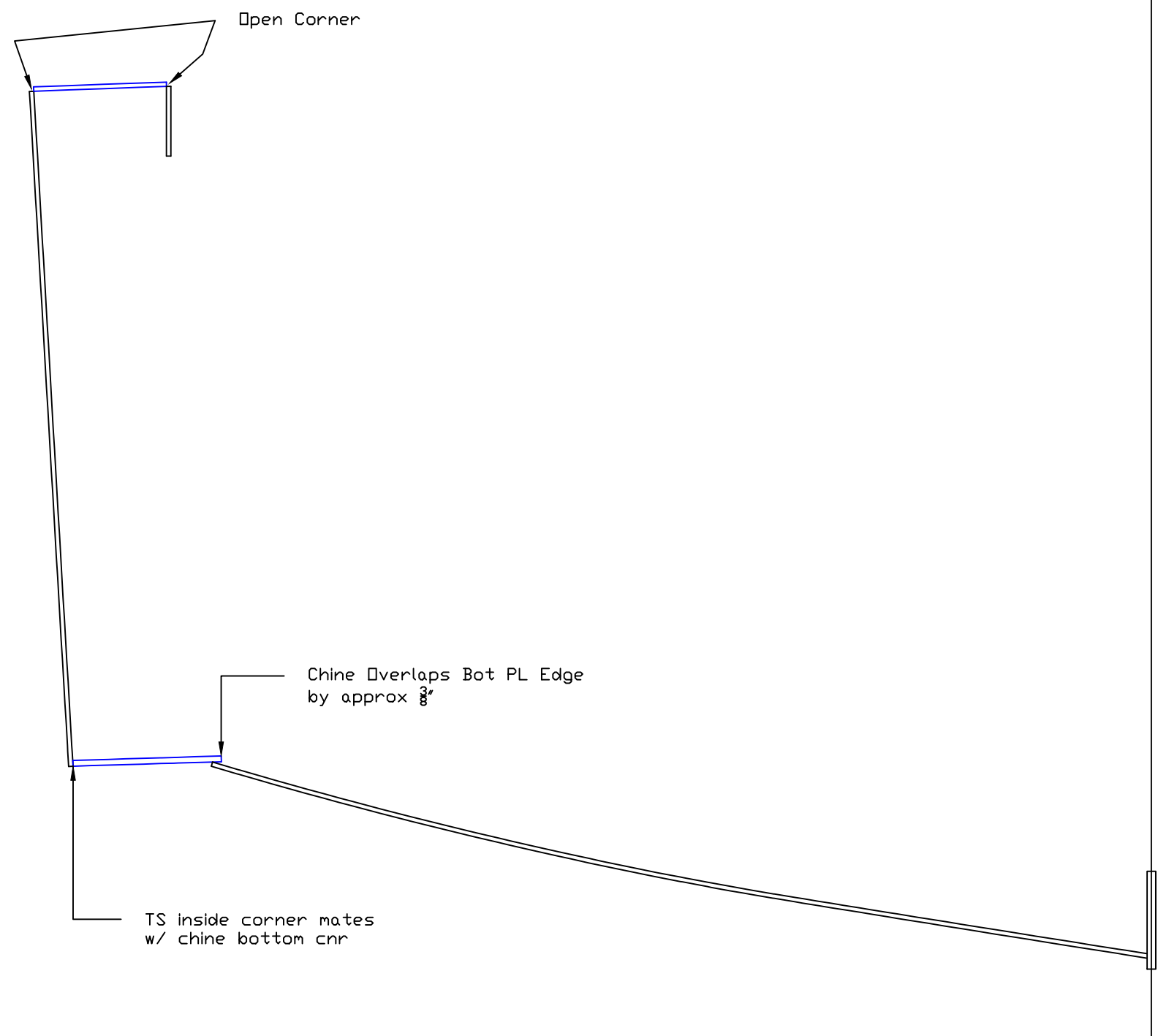
Rip Fwd Leg off this Aft Channel
(see Profile)

Hatch Gutter
Rip Inboard Leg down
 $\frac{3}{16}$ " for Gasket



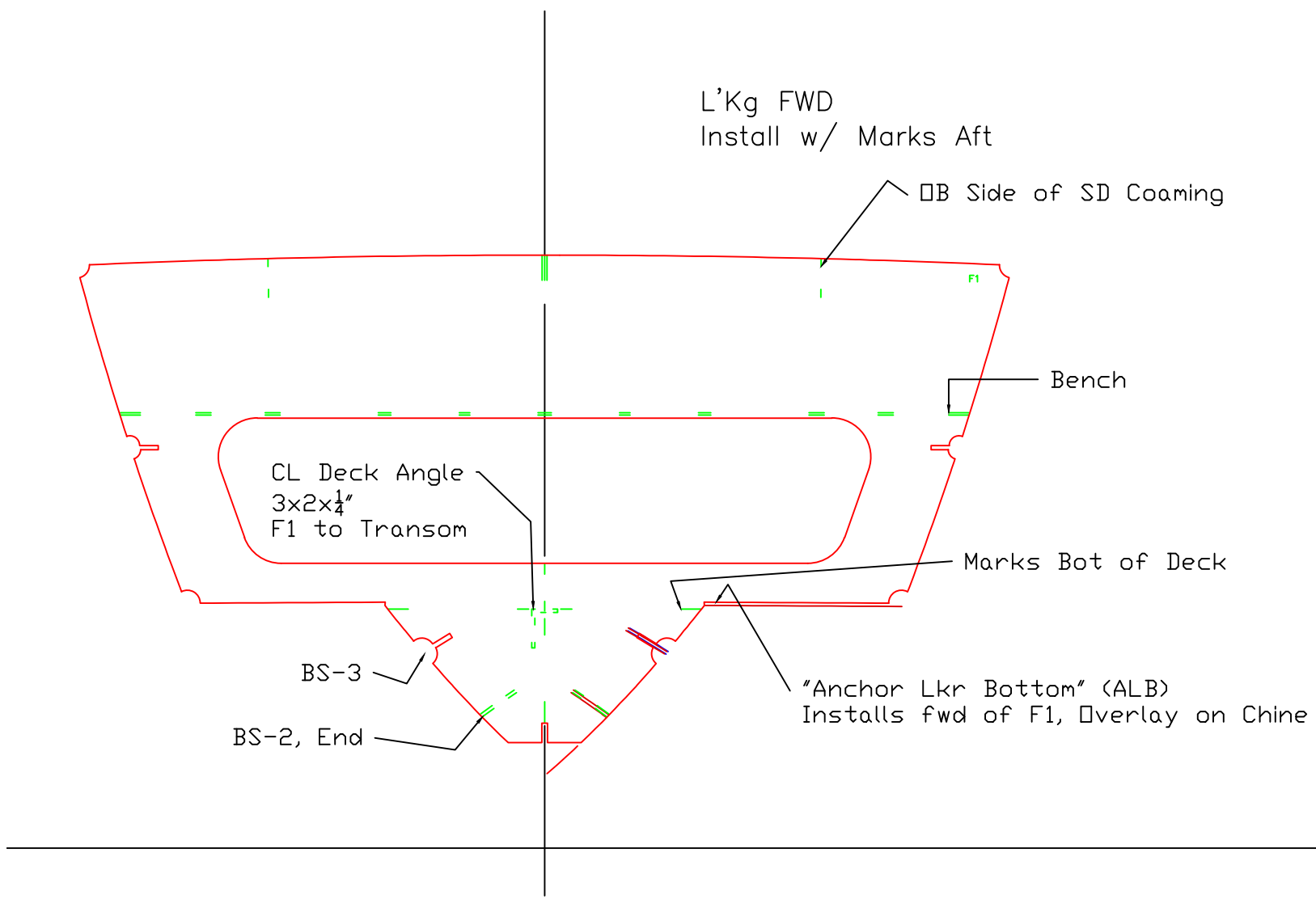
FWD BENCH

18' Skiff		
For: White Metal Welding		
SCALE 1"=1'	DES/DWN WAL	DATE 3/30/15
Response Marine, Inc.		SHEET
Newburyport, MA, www.responsemarine.com		DWG. NO. 502-2-8



TYPICAL SKIN JOINTS

18' Skiff		
For: White Metal Welding		
SCALE NONE	DES/DWN WAL	DATE 3/30/15
Response Marine, Inc.		SHEET
Newburyport, MA, www.responsemarine.com		DWG NO. 502-C-1

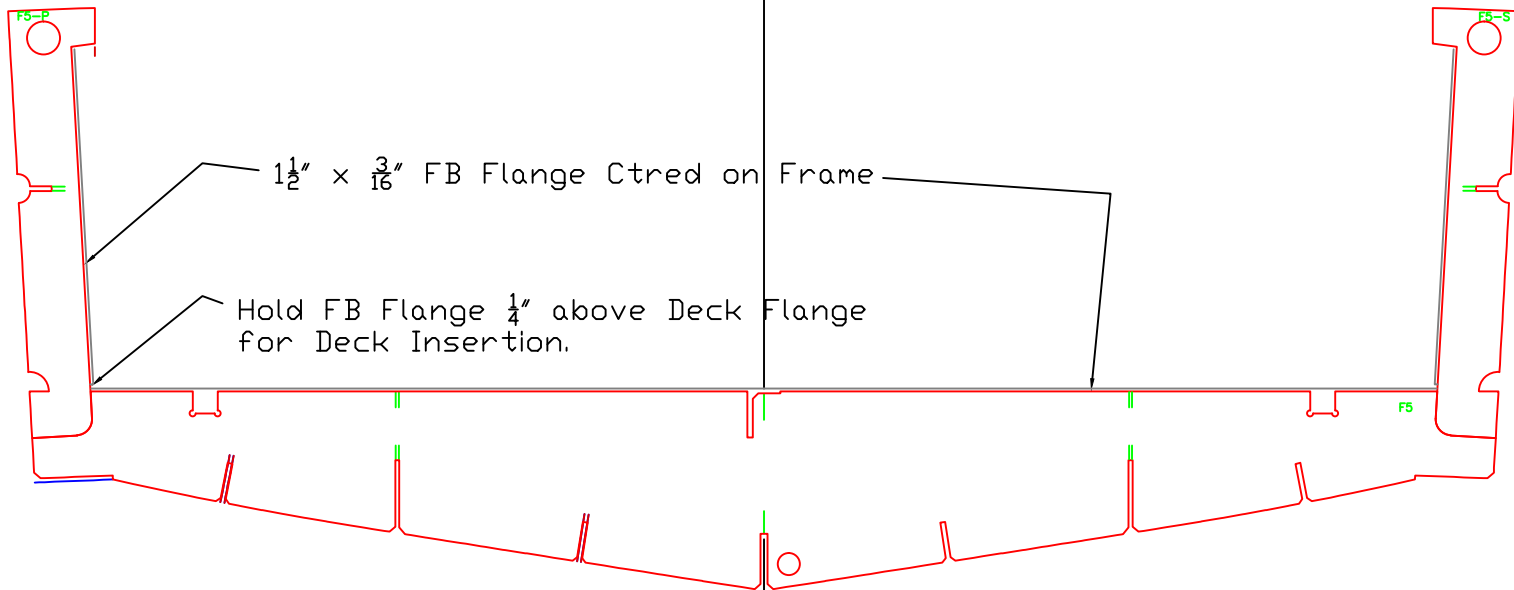


FRAME 1

18' Skiff		
For: White Metal Welding		
SCALE 1" = 1'	DES/DWN WAL	DATE 3/30/15
Response Marine, Inc. Newburyport, MA, www.responsemarine.com		SHEET DWG. NO. 502-F1

WIBHD

L'Kg FWD
Install w/ Marks Aft



FRAME 5

18' Skiff

For: White Metal Welding

SCALE
1" = 1'

DES/DWN
WAL

DATE
3/30/15

Response Marine, Inc.

Newburyport, MA, www.responsemarine.com

SHEET

DWG. NO.
502-F5