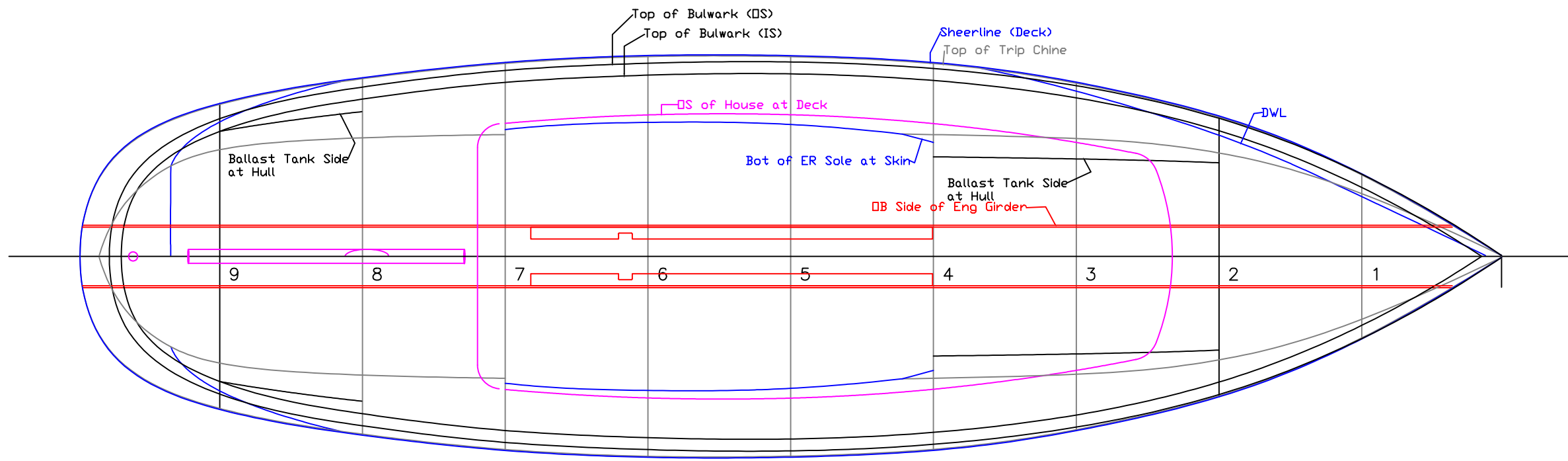
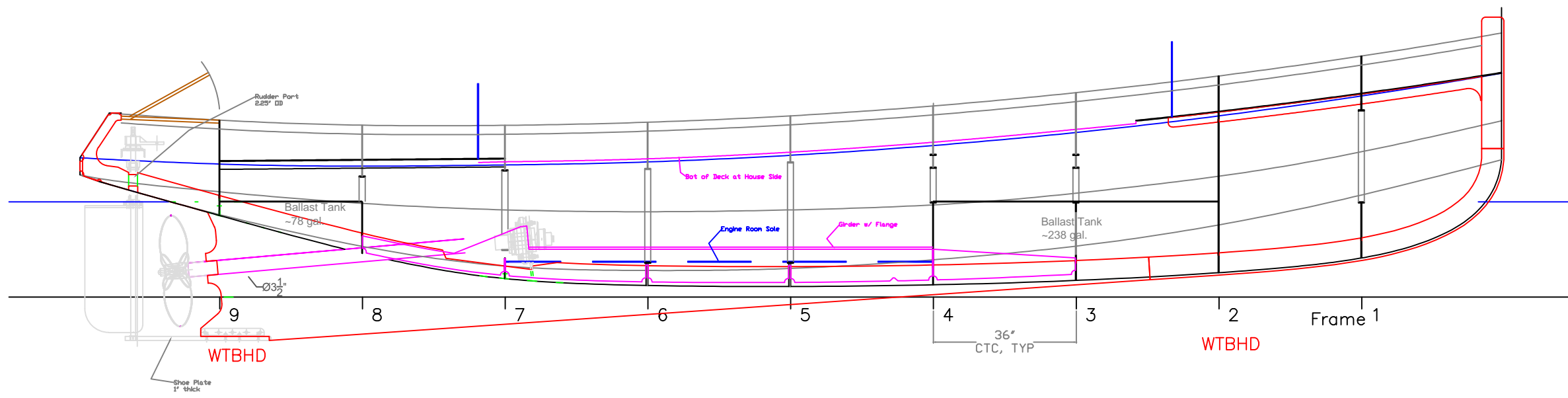


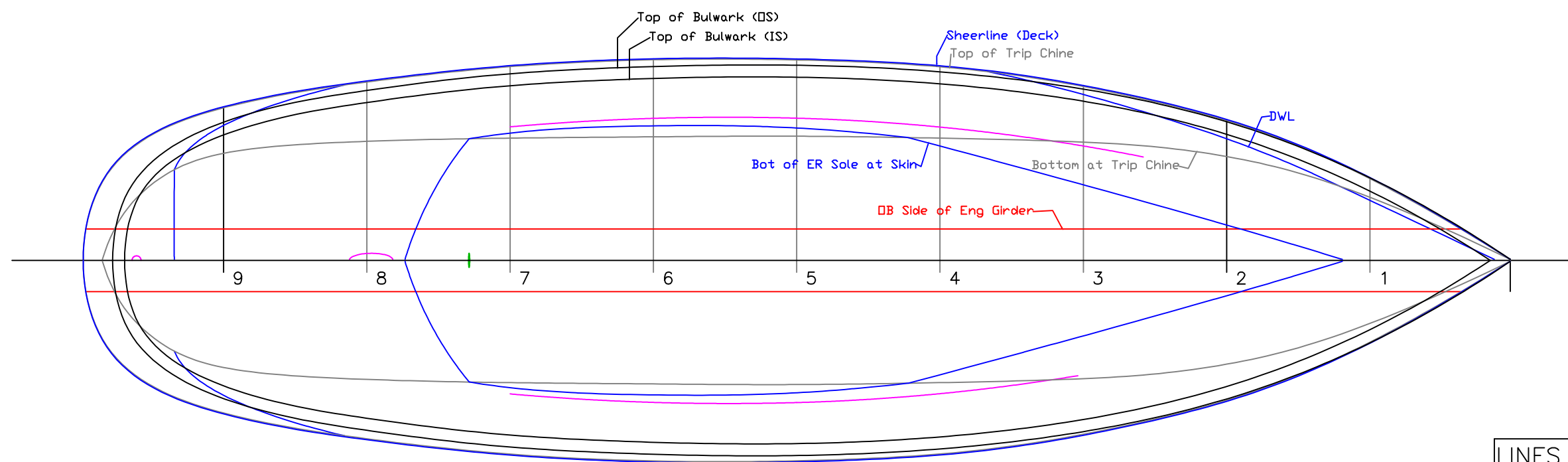
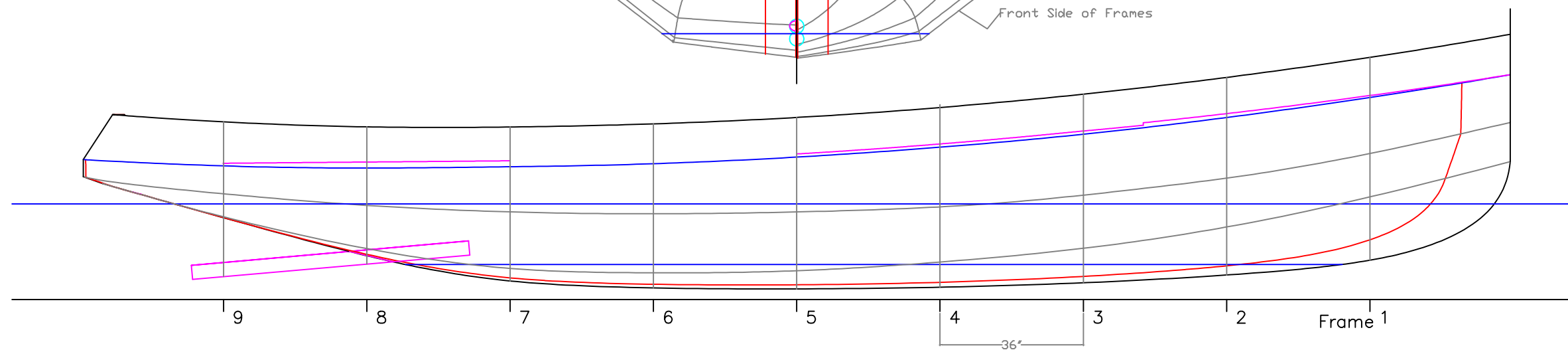
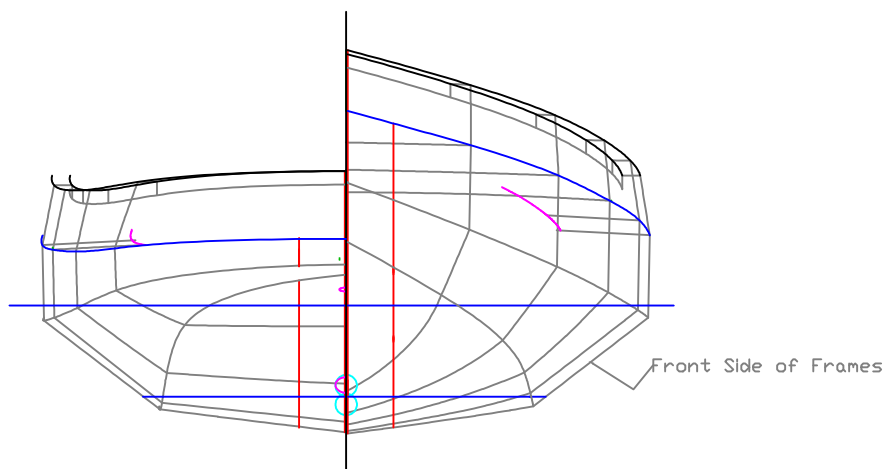
| | | |
|---|---------------------|-----------------------------|
| HULL OB PROFILE & PLAN | | |
| RR TUG 30'x8'6" | | |
| SCALE 3/8"=1' | DESIGNER WAL/JCC | DATE 11/9/15 |
| Response Marine, Inc. Newburyport, MA, www.responsemarine.com | | REV. DWG. NO. 479-1-1 |

| REV. | DESCRIPTION |
|------|-------------|
| | |



| | | |
|---|---------------------|-----------------------------|
| HULL IB PROFILE & PLAN | | |
| RR TUG 30'x8'6" | | |
| SCALE 3/8"=1' | DESIGNER WAL/JCC | DATE 11/9/15 |
| Response Marine, Inc. Newburyport, MA, www.responsemarine.com | | REV. DWG. NO. 479-1-2 |

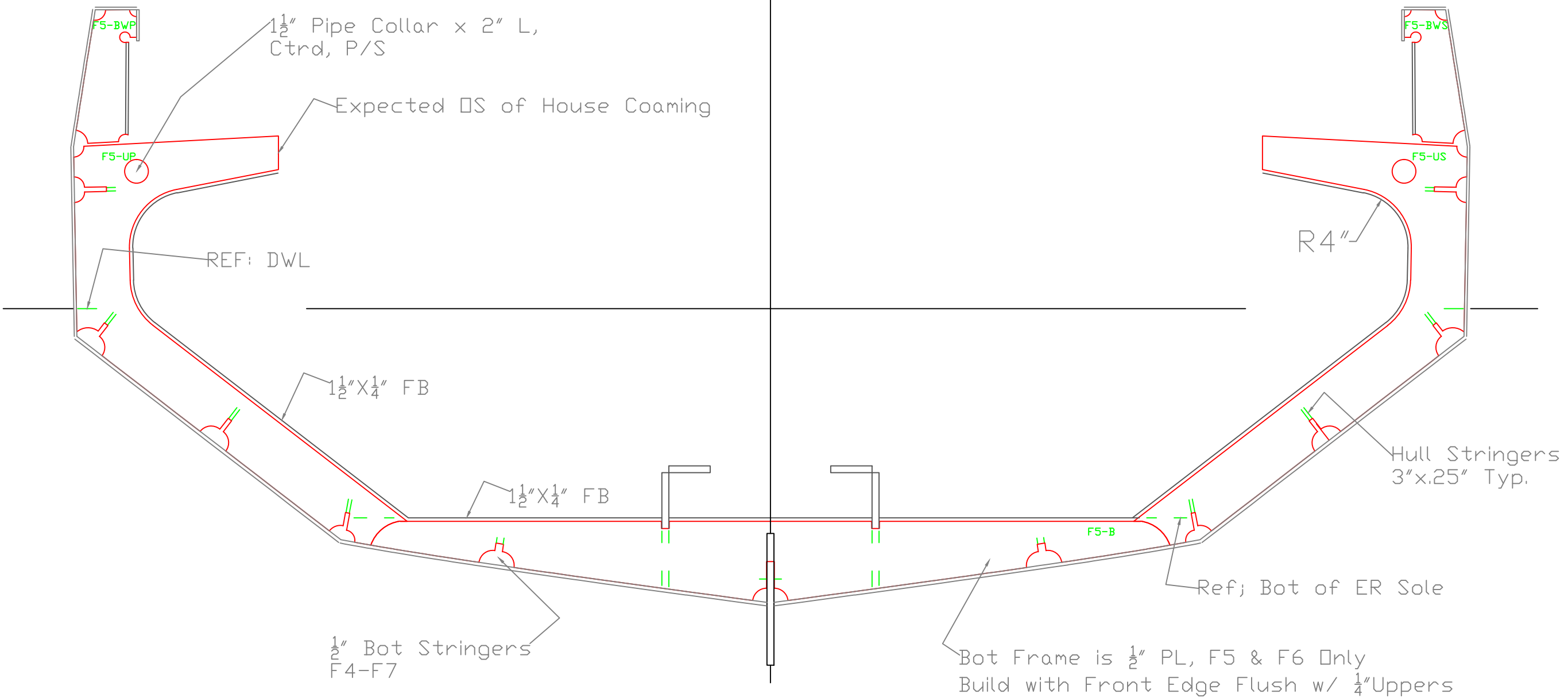
| REV. | DESCRIPTION |
|------|-------------|
| | |



| | | |
|---|---------------------|---------------------|
| LINES PLAN- Frames | | |
| RR TUG 30'x8'6" | | |
| SCALE 3/8"=1' | DESIGNER WAL/JCC | DATE 9/29/15 |
| Response Marine, Inc. Newburyport, MA, www.responsemarine.com | | REV. NO. 479-1-4 |

| REV. | DESCRIPTION |
|------|-------------|
| | |

Typ. Section
Frame 5



| | | |
|---|---------------------|---------------------|
| TYPICAL SECTION | | |
| RR TUG 30'x8'6" | | |
| SCALE 1 1/2"=1' | DESIGNER WAL/JCC | DATE 9/29/15 |
| Response Marine, Inc. Newburyport, MA, www.responsemarine.com | | DWG. NO. 479-1-3 |

| REV. | DESCRIPTION |
|------|-------------|
| | |