

DRAWING LIST

Delivered	Design Dwg	Description	Date
	<u>RockSalt 34 as of 4/28/09</u>		
11/19/07	296 01	Lines Plan	10/29/07
11/19/07	02	Outboard Profile	10/26/07
11/19/07	03	Outboard Plan	10/26/07
11/19/07	04	Inboard Profile	10/29/07
11/19/07	05	Arrangement Plan	10/26/07
9/17/07	TRLR	Prelim for Trailer (to Terrell)	9/17/07
11/19/07	2-1	Keel Layout	10/31/07
11/19/07	2-2	Bottom Structure	11/9/07
11/19/07	2-3	Topside Structure	11/9/07
11/19/07	2-4	Hull Joint Details	11/9/07
11/19/07	2-5	Cockpit Deck	11/9/07
11/19/07	2-6	Side Decks	11/12/07
11/19/07	2-7	Side Deck Coamings	11/12/07
11/19/07	2-8	Aft Deck & Bait Well	11/12/07
11/19/07	2-9	Transom Area Coamings	11/12/07
11/19/07	2-10	Topsides Stringer Shelf	11/10/07
4/29/08	2-11,R1	Step Chines	11/9/07
4/29/08	2-12	Windlass Plate	4/27/08
11/19/07	3-1, R1	Fuel Tank	3/2/08
11/19/07	3-2	Fuel Tank- Pick-Up Detail	11/12/07
11/19/07	3-3	Fuel Trunk	11/12/07
11/19/07	7-1	Hatch Hinges- Concept	10/31/07
11/19/07	B-1	Flange Bending	10/30/07
11/19/07	B-2	Bending- 3/16" Decks	10/30/07
11/19/07	B-3	Bending- Transom Bhd	10/30/07
11/19/07	B-4	Bending- Frame Uppers	11/6/07
11/19/07	F-R	Frame Dimensions	11/7/07
11/19/07	F-1	Frame 1	10/31/07
11/19/07	F-2	Frame 2	10/31/07
11/19/07	F-3	Frame 3	10/31/07
11/19/07	F-4	Frame 4	10/31/07
11/19/07	F-5	Frame 5	10/31/07
11/19/07	F-6	Frame 6	10/31/07
11/19/07	F-63	Frame 63	10/31/07
11/19/07	F-66	Frame 66	11/2/07
11/19/07	F-7	Frame 7	10/31/07
11/19/07	F-72	Frame 72	11/2/07
11/19/07	F-73	Intermediate Frames	11/2/07
11/19/07	F-T	Transom	11/12/07
11/19/07	F-TB	Transom Bulkhead	11/7/07

NC CUT PARTS LIST, for Split Skin Plates
 #296, Rock Salt 34
 Response Marine, Inc
 File: RMI\des\BlackLab\RS34
 revised: 11/9/07

Print Date: 7/18/19

1/8" Parts-5086

<u>Part #</u>	<u>Description</u>	<u>Pieces</u>	<u>Stock</u>	<u>Bending</u>	<u>Bending Instruction</u>
BT	Bait Tank	4	2-1	Y	Roll 10" IS Diameter, 180 deg Between Marks Match to OS of "BR" (3/8" part)
	Sub Total 1/8" 5086	4			

3/16" Parts-5052

<u>Part #</u>	<u>Description</u>	<u>Pieces</u>	<u>Stock</u>	<u>Bending</u>	<u>Bending Instruction</u>
TDB	Transom Door Bulkhead	1	3A-1	Y	On 2 marks, 1/4" Radius
TDC	Transom Deck Coaming	1	3A-1		
FW-A	Fish Well, Fwd panel	1	3A-1	Y	On 2 marks, 1/4" Radius
FW-B	Fish Well, Aft panel	1	3A-1	Y	On 2 marks, 1/4" Radius
TLL-P	Transom Lip Liner, Port	1	3A-1	Y	On 2 marks, 1/4" Radius
TLL-S	Transom Lip Liner, Stbd	1	3A-1	Y	On mark, 1/4" Radius
J-HF1	Jig- Anchor Hatch at Frame 1	1	3A-1		
J-FDA	Jig- Foredeck, Fwd	1	3A-1		
J-FDB	Jig- Foredeck, Aft	1	3A-1		
TDT	Transom Door Threshold	1	3A-1		
FTP-4	Fuel Trunk Panel, Rmvble	2	3A-1		
	Sub Total 3/16" 5052	12			

3/16" Parts-5083/86

<u>Part #</u>	<u>Description</u>	<u>Pieces</u>	<u>Stock</u>	<u>Bending</u>	<u>Bending Instruction</u>
ALB	Anchor Locker Bottom	1	3-4		
DB-A	Deck Body, bow	1	3-4		
DB-B	Deck Body, mid	2	3-4,5		
DB-C	Deck Body, F4-F5	1	3-3		
DB-D	Deck Body, aft	2	3-1	Y	On Marks, 5/8" Radius, Drawing #B-2
DB-E	Deck Body, Fuel Bay	2	3-1,2	Y	On Marks, 5/8" Radius, Drawing #B-2
DB-F	Deck Body, aft	2	3-1,2	Y	On Marks, 5/8" Radius, Drawing #B-2
DB-G	Deck Body, Transom	1	3-1		
DB-H	Deck Body, CL at Fish Lkr	1	3-1	Y	On Marks, 5/8" Radius, Drawing #B-2
DM-A	Deck Margin, fwd	2	3-4,5		
DM-B	Deck Margin, mid fwd	2	3-1, 3		
DM-C	Deck Margin, aft	2	3-2	Y	On Marks, 5/8" Radius, Drawing #B-2
DM-D	Deck Margin, aft	2	3-5		
DRP-A	Deck Removable panel, Transom	1	3-3		
DRP-B	Deck Removable panel, Transom	1	3-3		
FDC-A	Foredeck Coaming, Bow	1	3-5		
FDC-FL	Foredeck Coaming, Flange	2	3-4,5		
FDC-IB	Foredeck Coaming, Inboard	2	3-3		
FDC-OB	Foredeck Coaming, Outboard	2	3-3		
FD-H	Foredeck Hatch	1	3-3		
FD-P	Foredeck, Port	1	3-4		
FD-S	Foredeck, Stbd	1	3-5		
FT	False Transom	1	3-3	Y	On Mark, 5/8" Radius
FTP-1	Fuel Trunk, Aft	2	3-4		
FTP-2	Fuel Trunk Panel, Lower	2	3-2,4		
FTP-3	Fuel Trunk Panel, Upper	2	3-4		
RS	Rubbing Strake	3	3-2	Y	On 2 Marks, 5/8" Radius
SC1A-B	Step Chine #1 Pattern, Bottom, Fwd	1	3-5		
SC1A-S	Step Chine #1 Pattern, Side, Fwd	1	3-5		
SC2A-B	Step Chine #2 Pattern, Bottom, Fwd	1	3-4		
SC2A-S	Step Chine #2 Pattern, Side, Fwd	1	3-5		
SC2B-B	Step Chine #2 Pattern, Bottom, Mid	1	3-5		
SC2B-S	Step Chine #2 Pattern, Side, Mid	1	3-4		
SDC-BP	Side Deck Coaming, Aft port	1	3-5		
SDC-BS	Side Deck Coaming, Aft stbd	1	3-3		
SD-P	Side Deck Aft, Port	1	3-4		

SD-S	Side Deck Aft, Stbd	1	3-3		
TB	Transom Bulkhead	1	3-2	Y	On 2 Marks, 5/8" Radius, Drawing #B-3
TD	Transom Deck	1	3-1		
TL	Transom Lip	2	3-4,5		
	Sub Total 3/16" 5083/86		57		

1/4" Parts-5083/86

<u>Part #</u>	<u>Description</u>	<u>Pieces</u>		<u>Bending</u>	<u>Bending Instruction</u>
BA-P	Bottom, Port	1	4-6		
BA-S	Bottom, Starboard	1	4-5		
BB-P	Bottom, Aft, Port	1	4-8		
BB-S	Bottom, Aft, Starboard	1	4-7		
BS1	Bottom Stringer #1	2	4-5,6		
BS2	Bottom Stringer #2	2	4-1,2		
BS3	Bottom Stringer #3	2	4-1,2		
BS4-A	Bottom Stringer #4, fwd	2	4-1,2		
BS4-B	Bottom Stringer #4, aft	2	4-1,2		
DPR	Deck Plate Ring	7	4-5		
DP	Deck Plate	7	4-3		
F1	Frame 1	1	4-7		
F2	Frame 2	1	4-4	Y	Per Drawing #B-1
F3	Frame 3	1	4-4	Y	Per Drawing #B-1
F4	Frame 4	1	4-7	Y	Per Drawing #B-1
F4A	Frame 4, topsides	2	4-6	Y	2 Places each, on Marks, 3/4" R, Per Drawing B-4
F4-D	Frame 4, Doubler Ring	1	4-3		
F4-R	Frame 4, Removable Pane	1	4-3		
F5	Frame 5	1	4-5	Y	Per Drawing #B-1
F5D3	Frame 5 Doubler at BS3	2	4-1		
F6	Frame 6	1	4-6	Y	Per Drawing #B-1
F61	Frame 61	2	4-4,5	Y	Per Drawing #B-1
F62	Frame 62	2	4-4,5	Y	Per Drawing #B-1
F63	Frame 63	2	4-1	Y	Per Drawing #B-1
F64	Frame 64	2	4-2	Y	Per Drawing #B-1
F65	Frame 65	2	4-2	Y	Per Drawing #B-1
F66	Frame 66	2	4-3	Y	Per Drawing #B-1
F66A	Frame 66 Topsides	2	4-2,4	Y	2 Places each, on Marks, 3/4" R, Per Drawing B-4
F67	Frame 67	2	4-2	Y	Per Drawing #B-1
F68	Frame 68	2	4-1	Y	Per Drawing #B-1
F6A	Frame 6, Topsides	2	4-6		
F6D1	Frame 6 Doubler at BS1	2	4-1		
F6D2	Frame 6 Doubler at BS2	2	4-1		
F7	Frame 7	1	4-6	Y	Per Drawing #B-1
F71	Frame 71	2	4-1	Y	Per Drawing #B-1
F72	Frame 72	1	4-5	Y	Per Drawing #B-1
F73	Frame 73	2	4-2	Y	Per Drawing #B-1
FDF-A	Foredeck Frame, Fwd	2	4-1	Y	On Mark, 3/4" R
FDF-B	Foredeck Frame, Aft	2	4-1	Y	On Mark, 3/4" R
FTS	False Transom Stiffener	1	4-3		On Marks, 3/4" R
GP	Girder, Port	1	4-3	Y	Per Drawing #B-1
GS	Girder, Stbd	1	4-4	Y	Per Drawing #B-1
T-1	Fuel Tank Ends	2	4-3,9		
T-2	Tank Skin	1	4-9		On 4 Marks, 3/4" R, Match to T-1
T-3	Fuel Tank, Divider	1	4-9	Y	Per Drawing #B-1
T-4	Fuel Tank, Transverse Baffle	2	4-5,9	Y	Per Drawing #B-1
T-5A	Fuel Tank, Long'l Baffle, Fwd	1	4-9	Y	Per Drawing #B-1
T-5B	Fuel Tank, Long'l Baffle, Aft	1	4-9	Y	Per Drawing #B-1
T-6A	Fuel Tank Top, Fwd	1	4-9		
T-6B	Fuel Tank Top, Aft	1	4-3		
TSL-1A	Topsides Stringer #1, Fwd	2	4-5,6		
TSL-1B	Topsides Stringer #1, Aft	2	4-7		
TS-P	Topsides, Port	0	none		
TS-S	Topsides, Stbd	0	none		
TS-AP	Topsides, Port, Fwd	1	4-1		
TS-AS	Topsides, Stbd, Fwd	1	4-2		
TS-BP	Topsides, Port, Aft	1	4-3		
TS-BS	Topsides, Stbd, Aft	1	4-4		
	Sub Total 1/4" 5083/86		95		

3/8" Parts-5083/86

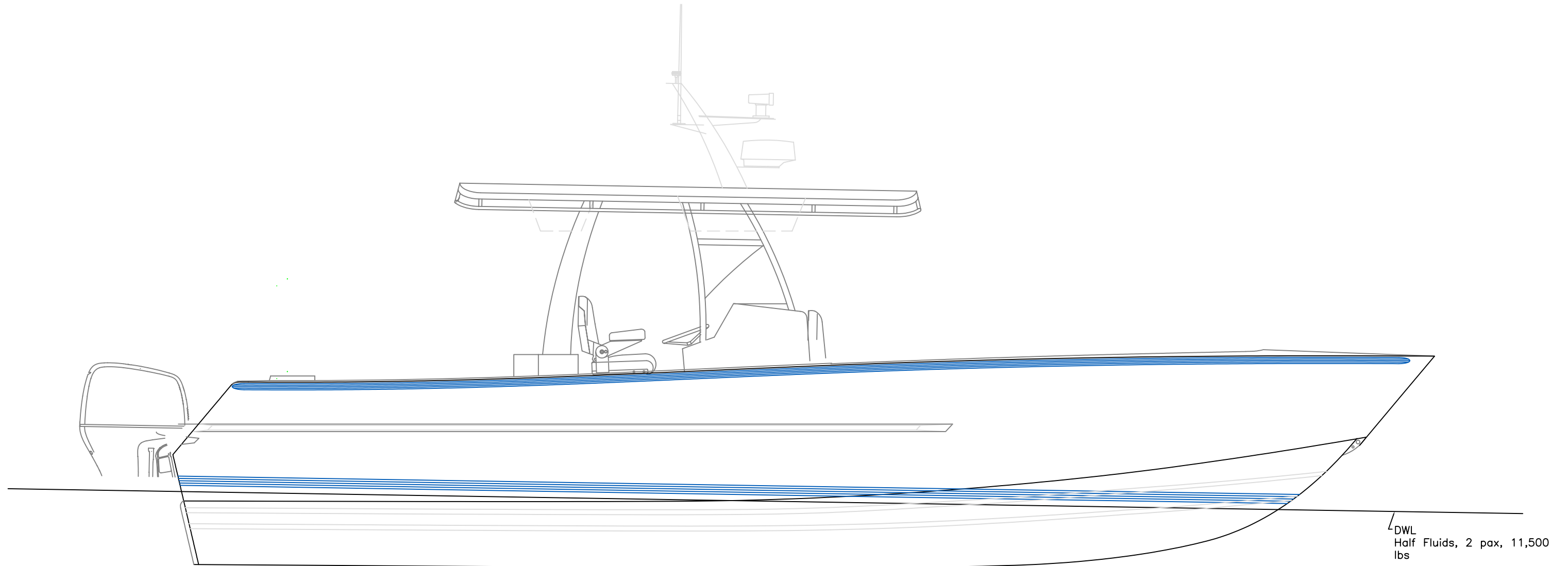
<u>Part #</u>	<u>Description</u>	<u>Pieces</u>
BR	Bait Tank Rim	1
C-A	Chine Fwd	2
C-B	Chine Aft	2
TELF	Transom Engine Lip, Face	1
TSL-1A	Topsides Stringer # 1 Fwd	2
TSL-2	Topsides Stringer #2	2
	Sub Total 3/8" 5083/86	10

1/2" Parts-5083/86

<u>Part #</u>	<u>Description</u>	<u>Pieces</u>
K-A	Keel, Fwd	2
K-B	Keel, Mid	2
K-C	Keel, Aft	2
K-R	Keel, Return at Anchor Locker	2
T	Transom	2
TEL	Transom Engine Lip	2
	Sub Total 1/2" 5083/86	12
	TOTAL PARTS	190

NOTE: Above parts are for a single boat, except the 1/8" & 1/2" parts which are two boats. For a two boat order, cut all plates twice, except the 1/8" & 1/2", which would be cut only once. Total parts count for a two boat order is 364 (with split skin plates).

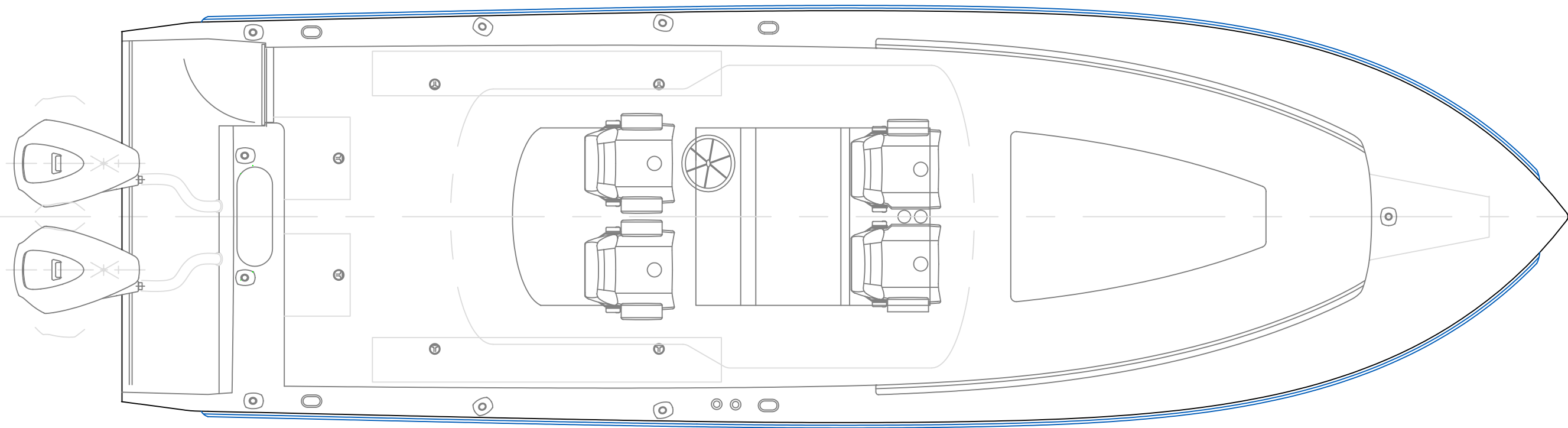
PARTICULARS~	
Hull LOA;	34' 2"
Hull Beam;	9' 8½" (w/o Rub Rail)



ROCK SALT 34'

REV.	DESCRIPTION

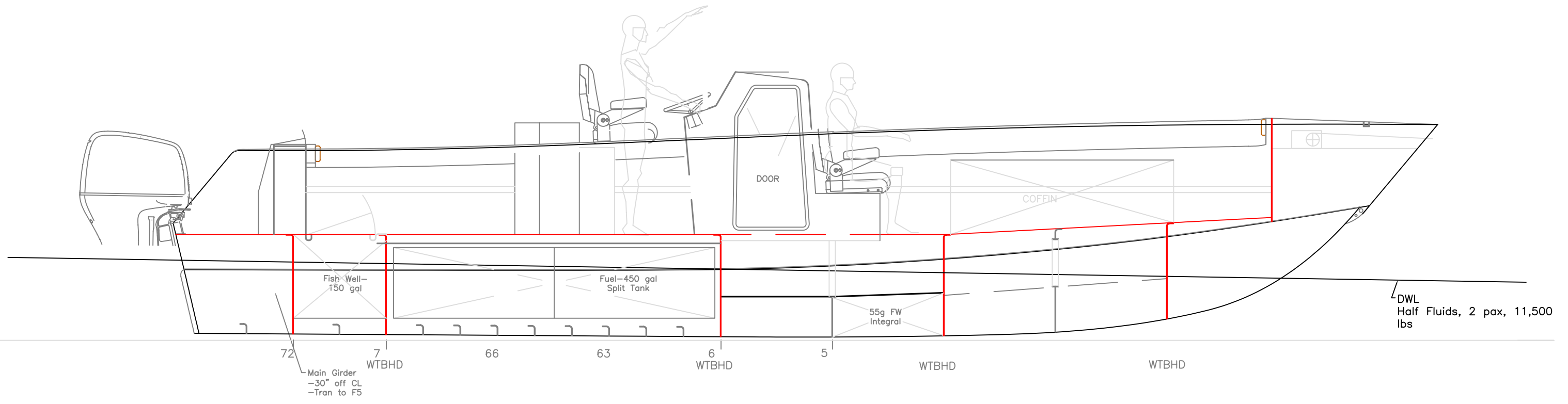
OUTBOARD PROFILE		
ROCK SALT 34		
SCALE 3/8" = 1'	DES/DWN WAL	DATE 10/26/07
Response Marine, Inc. Newburyport, MA, www.responsemarine.com		SHEET DWG. NO. 296-02



ROCK SALT 34'

REV. DESCRIPTION

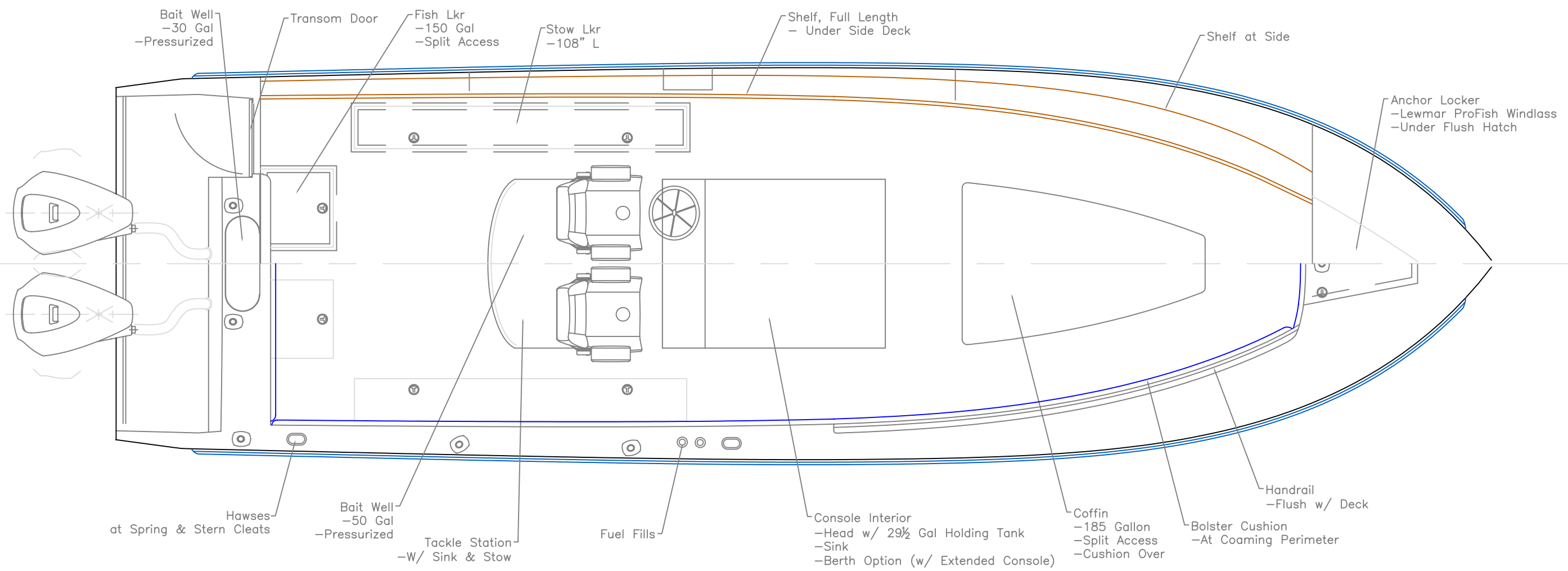
OUTBOARD PLAN		
ROCK SALT 34		
SCALE 3/8" = 1'	DES/DWN WAL	DATE 10/26/07
Response Marine, Inc. Newburyport, MA, www.responsemarine.com		SHEET DWG. NO. 296-03



ROCK SALT 34'

INBOARD PROFILE		
ROCK SALT 34		
SCALE 3/8" = 1'	DES/DWN WAL	DATE 10/29/07
Response Marine, Inc. Newburyport, MA, www.responsemarine.com		SHEET DWG. NO. 296-04

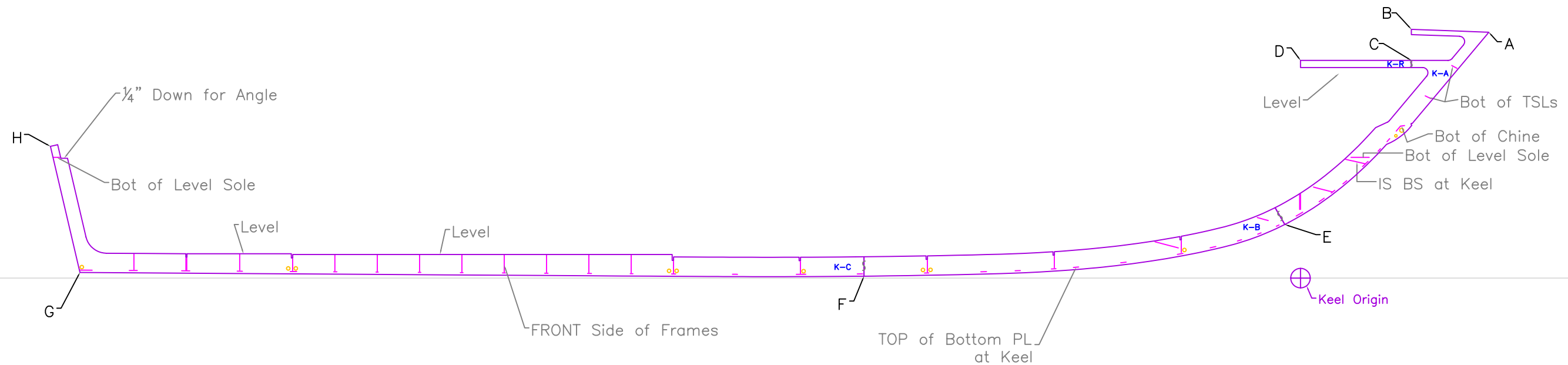
REV. DESCRIPTION



ROCK SALT 34'

ARRANGEMENT PLAN		
ROCK SALT 34		
SCALE 3/8" = 1'	DES/DWN WAL	DATE 10/26/07
Response Marine, Inc. Newburyport, MA, www.responsemarine.com		SHEET DWG. NO. 296-05

REV. DESCRIPTION



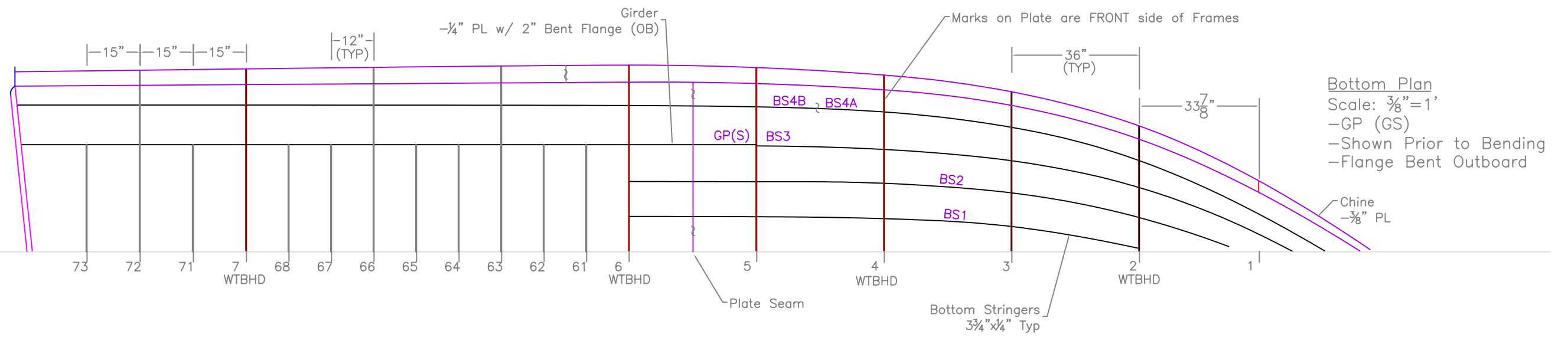
KEEL POINTS		Inches- sixteenths		ALIGNED (Inches-sixteenths)					
	Horizontal	Vertical		A	B	C	D	E	F
A to Origin									
B to Origin									
C to Origin									
D to Origin									
E to Origin									
F to Origin									
G to Origin									
H to Origin									

		Millimeters		ALIGNED (Millimeters)					
	Horizontal	Vertical		A	B	C	D	E	F
A to Origin									
B to Origin									
C to Origin									
D to Origin									
E to Origin									
F to Origin									
G to Origin									
H to Origin									

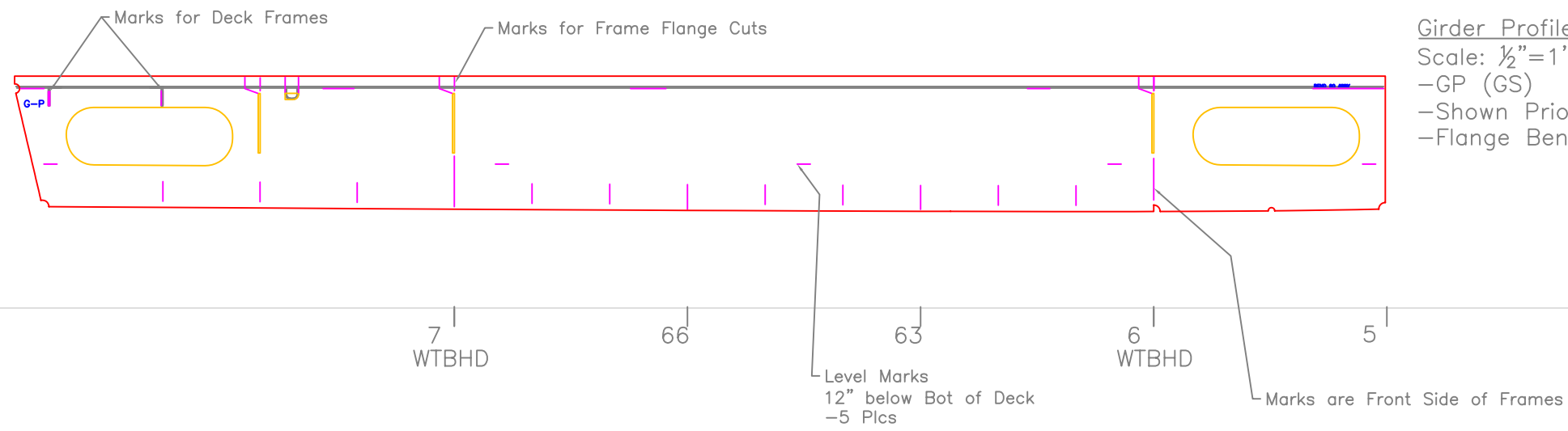
REVISED 2/5/08

KEEL LAYOUT		
ROCK SALT 34		
SCALE 3/8" = 1'	DES/DWN WAL	DATE 10/31/07
Response Marine, Inc.		SHEET
Newburyport, MA, www.responsemarine.com		DWG. NO. 296-2-1

REV.	DESCRIPTION



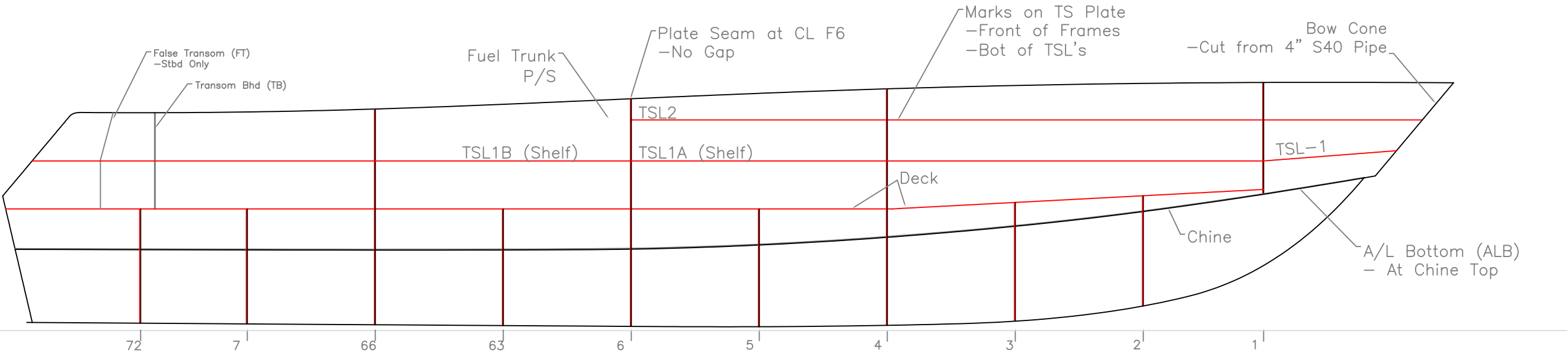
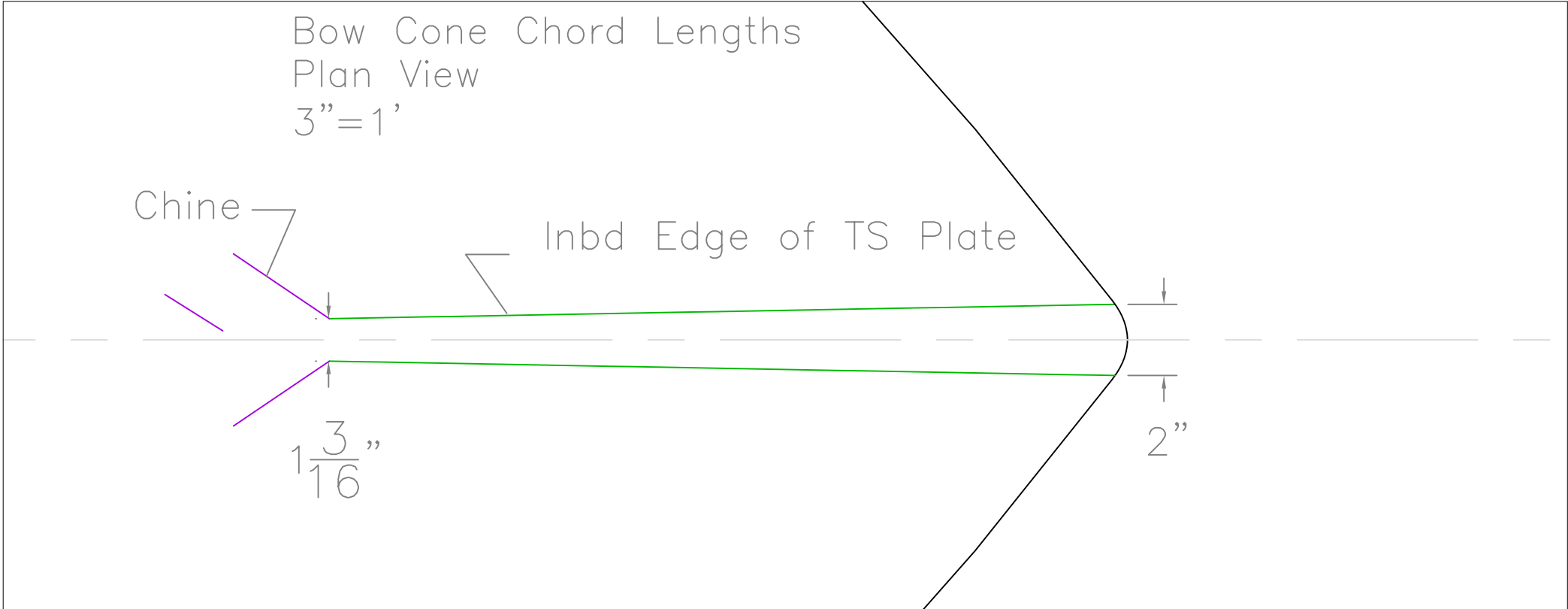
Bottom Plan
 Scale: $\frac{3}{8}'' = 1'$
 -GP (GS)
 -Shown Prior to Bending
 -Flange Bent Outboard



Girder Profile
 Scale: $\frac{1}{2}'' = 1'$
 -GP (GS)
 -Shown Prior to Bending
 -Flange Bent Outboard

Bottom Structure		
ROCK SALT 34		
SCALE noted	DES/DWN WAL	DATE 11/9/07
Response Marine, Inc.		SHEET
Newburyport, MA, www.responsemarine.com		DWG. NO. 296-2-2

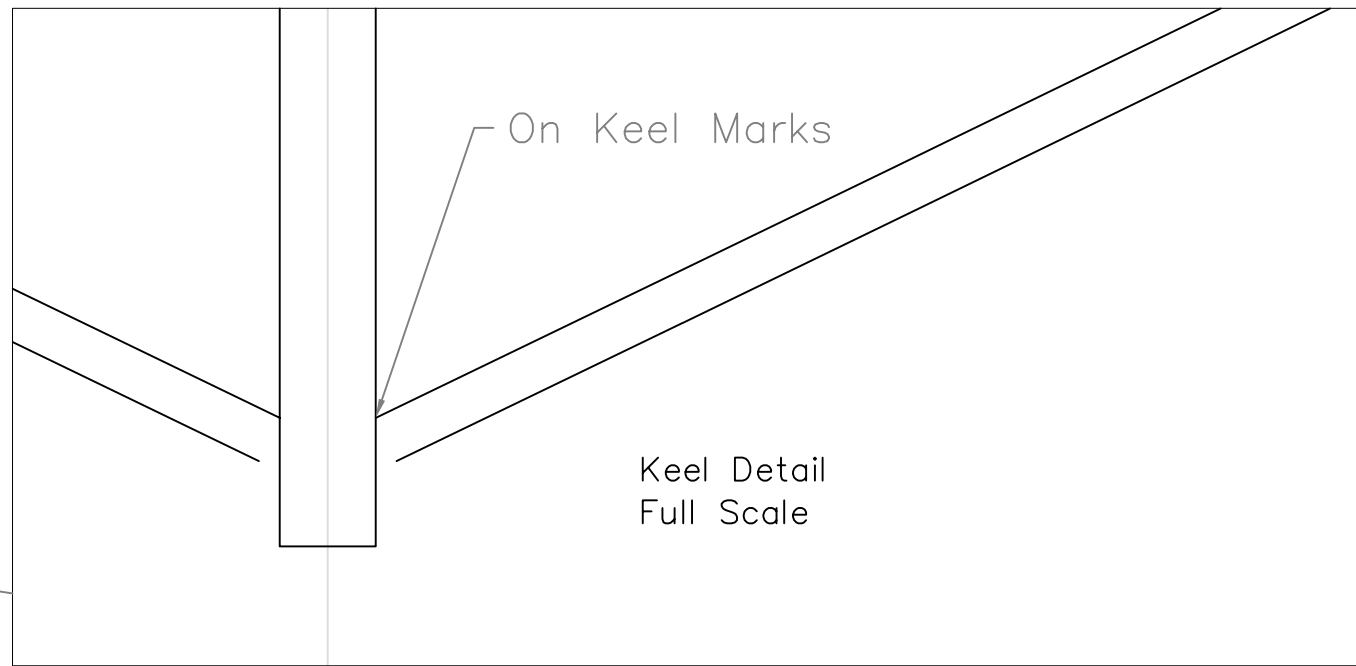
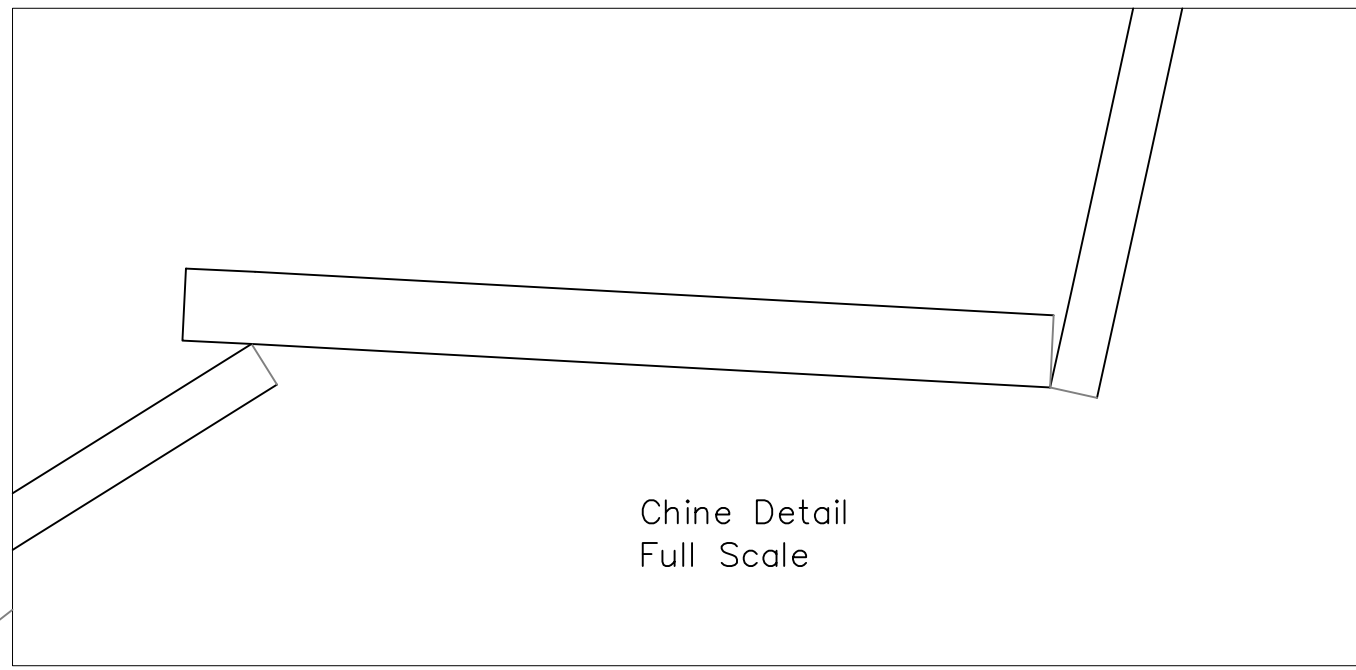
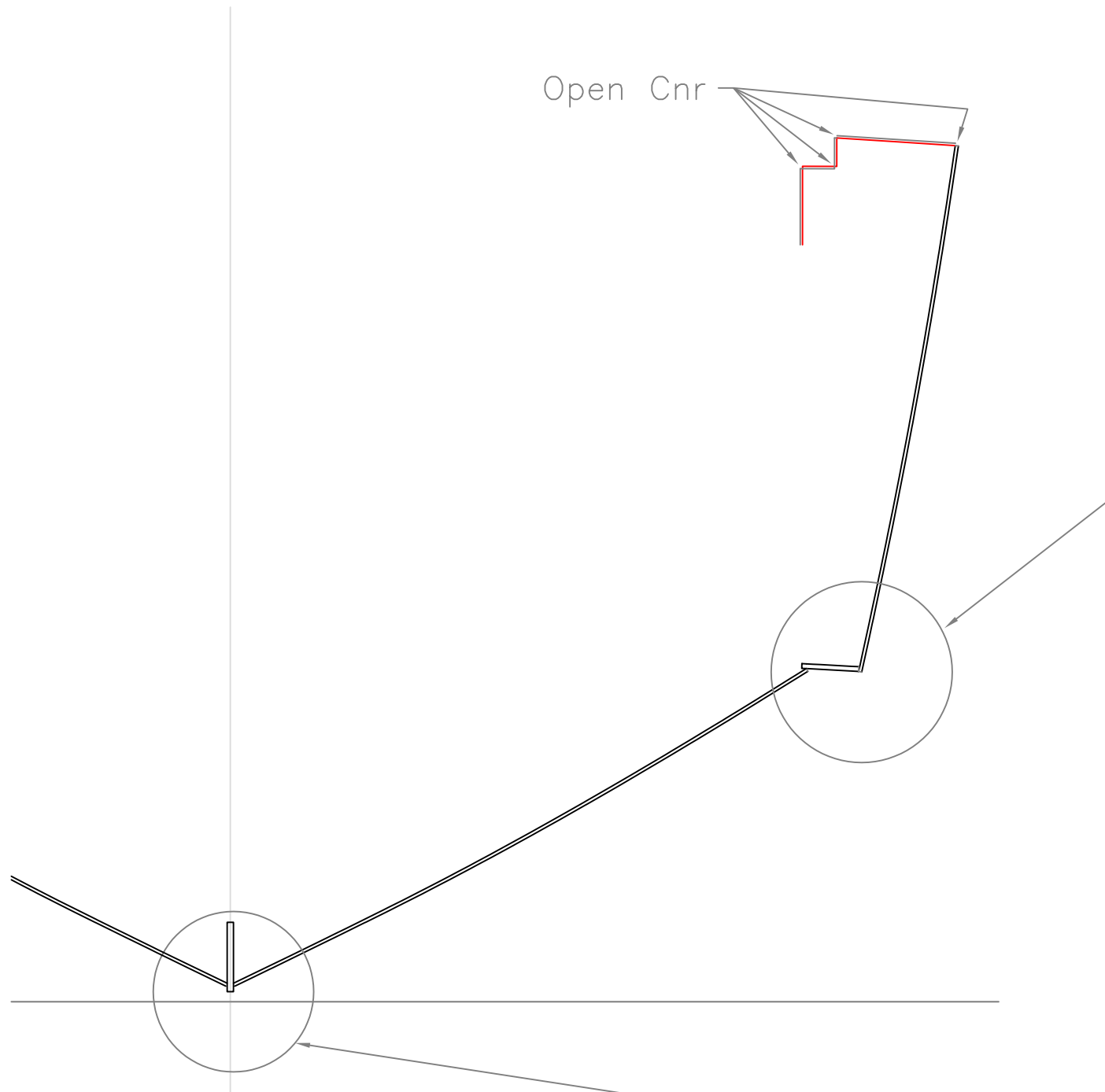
REV. DESCRIPTION



Topside Structure		
ROCK SALT 34		
SCALE 3/8"=1'	DES/DWN WAL	DATE 11/9/07
REV.		DESCRIPTION
Newburyport, MA, www.responsemarine.com		SHEET 296-2-3

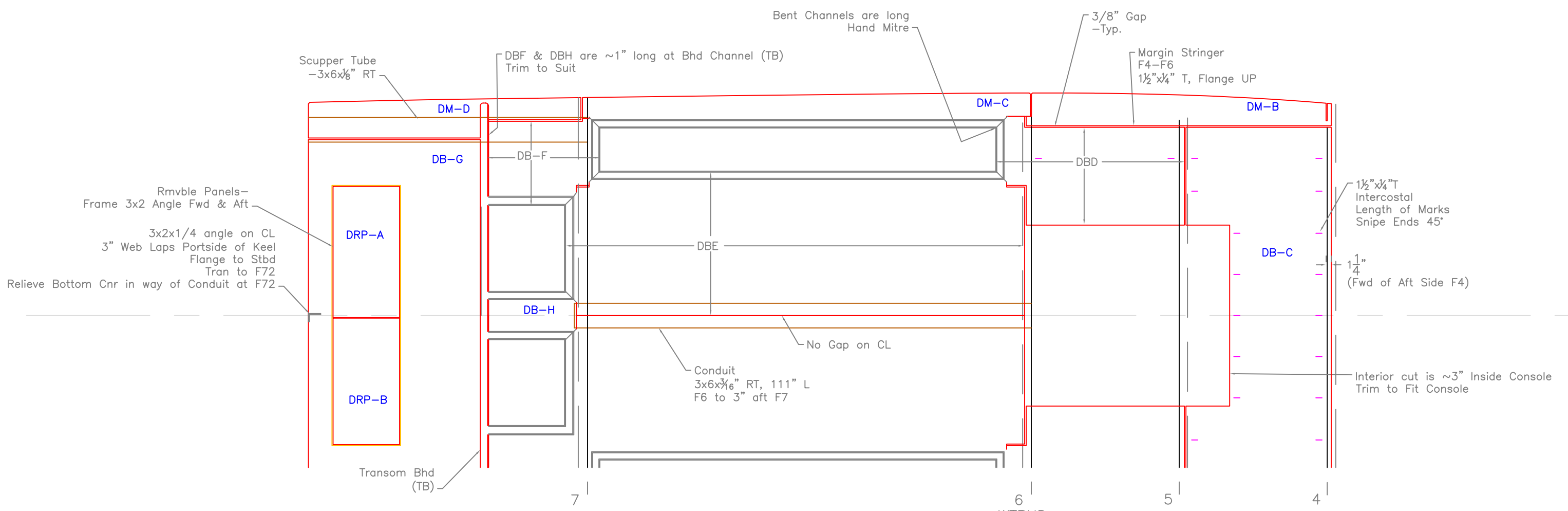
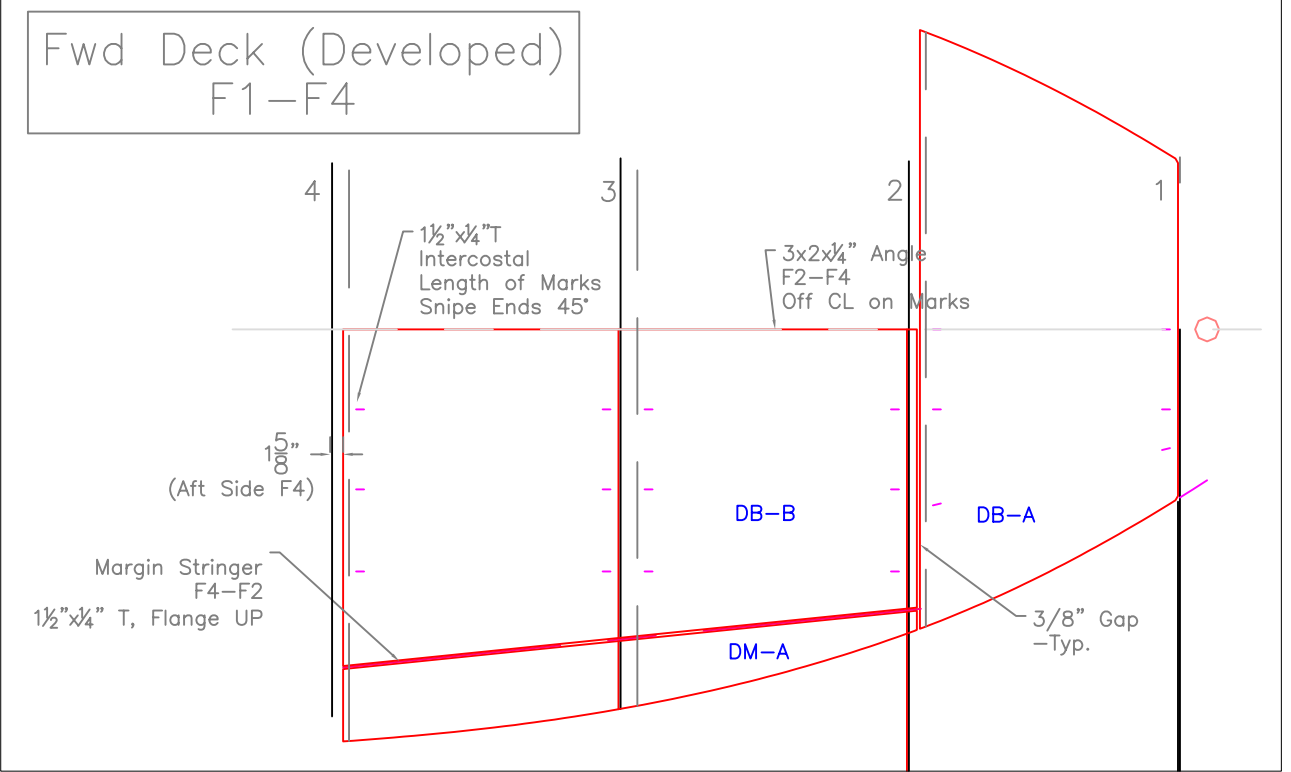
REV. DESCRIPTION

Response Marine, Inc.
Newburyport, MA, www.responsemarine.com



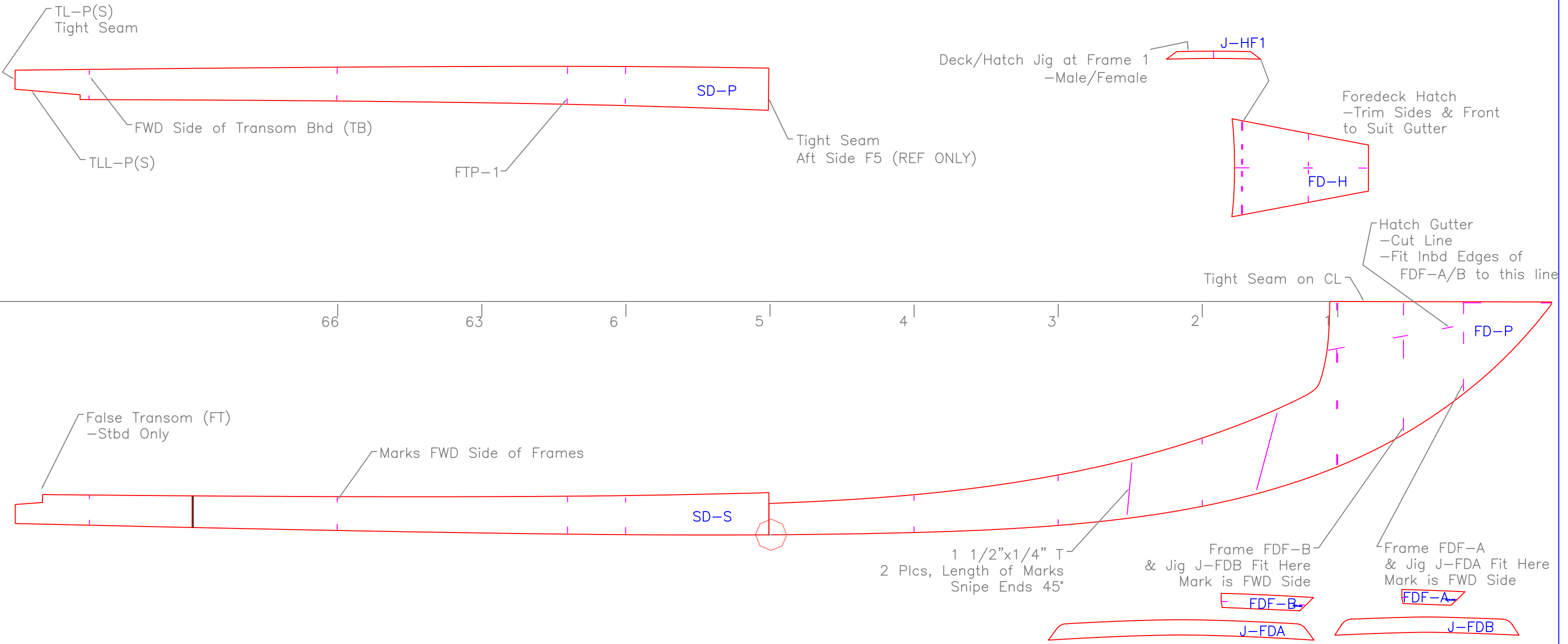
Hull Joint Details		
ROCK SALT 34		
SCALE noted	DES/DWN WAL	DATE 11/9/07
Response Marine, Inc. Newburyport, MA, www.responsemarine.com		SHEET DWG. NO. 296-2-4

REV.	DESCRIPTION



Cockpit Deck		
ROCK SALT 34		
SCALE 1/2"=1'	DES/DWN WAL	DATE 11/9/07
Response Marine, Inc.		SHEET
Newburyport, MA, www.responsemarine.com		DWG. NO. 296-2-5

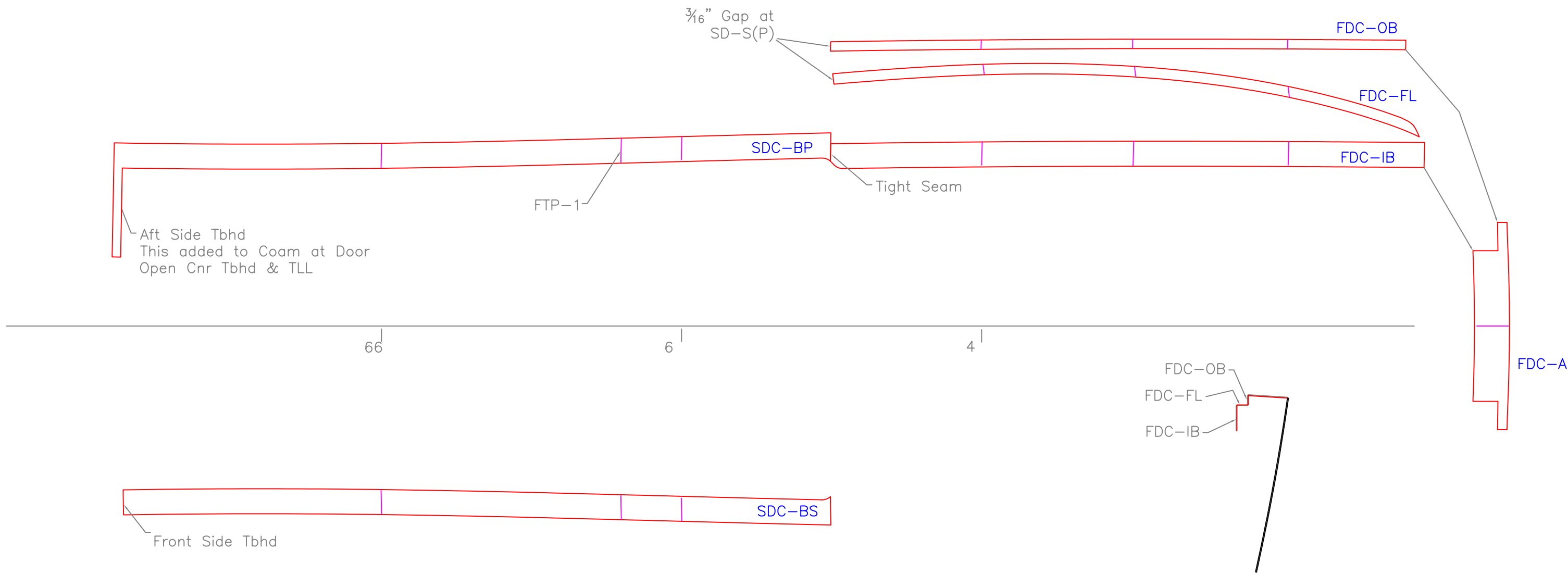
REV.	DESCRIPTION



Marks are on Underside of Parts

Side Decks		
ROCK SALT 34		
SCALE 1/2"=1'	DES/DWN WAL	DATE 11/12/07
Response Marine, Inc. Newburyport, MA, www.responsemarine.com		SHEET DWG. NO. 296-2-6

REV.	DESCRIPTION

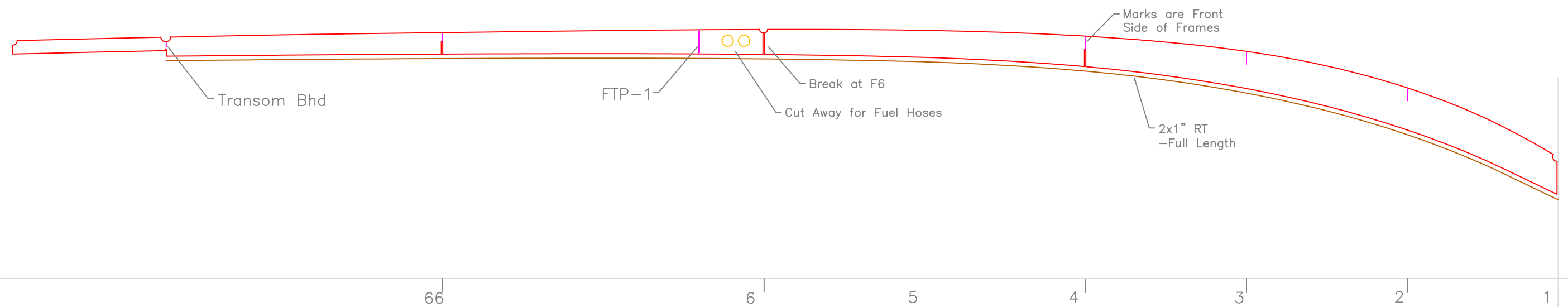
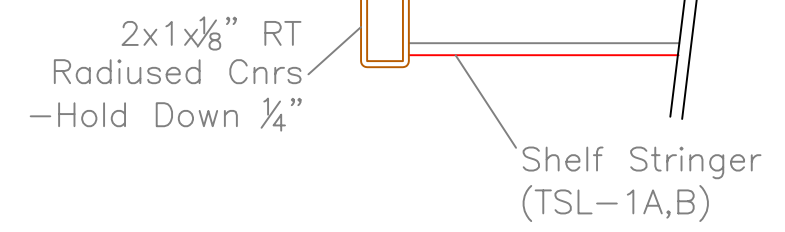


Marks are on Back side of Parts

Side Deck Coamings		
ROCK SALT 34		
SCALE 1/2"=1'	DES/DWN WAL	DATE 11/12/07
Response Marine, Inc. Newburyport, MA, www.responsemarine.com		SHEET DWG. NO. 296-2-7

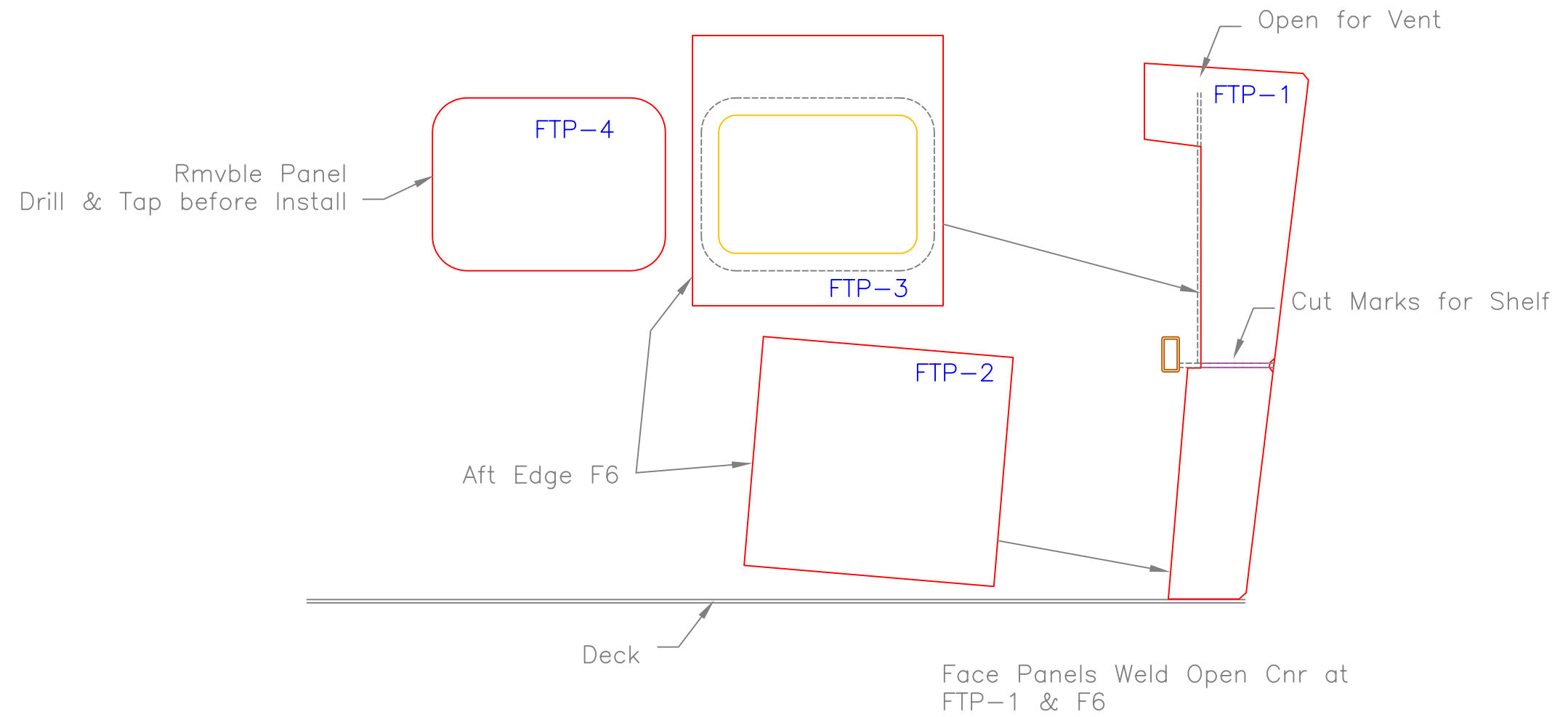
REV.	DESCRIPTION

Section
3" = 1'



Topsides Stringer Shelf		
ROCK SALT 34		
SCALE 1/2"=1'	DES/DWN WAL	DATE 11/12/07
Response Marine, Inc. Newburyport, MA, www.responsemarine.com		SHEET DWG. NO. 296-2-10

REV.	DESCRIPTION



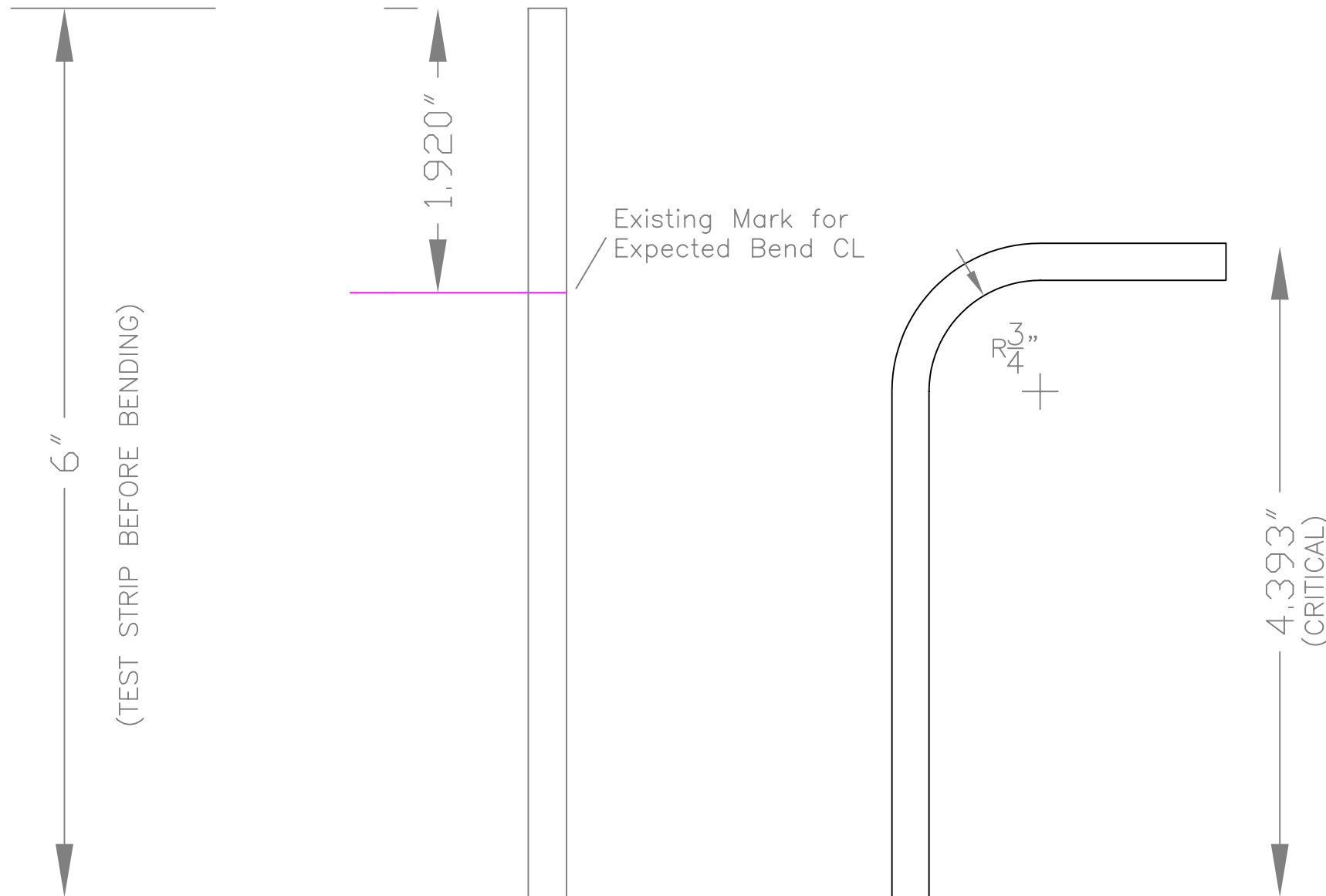
1

Fuel Trunk		
ROCK SALT 34		
SCALE 1 1/2"=1'	DES/DWN WAL	DATE 11/12/07
Response Marine, Inc. Newburyport, MA, www.responsemarine.com		SHEET DWG. NO. 296-3-3

REV. DESCRIPTION

FRAME FLANGE BENDING: 1/4" 5083/86 H116 Stock

- 1) Confirm results with test strips for height to Top of Flange before bending frames.
- 2) Inside Bend Radius is 3/4". Bend is 90°. EXCEPT F2 & F3 are bent only 87°
- 3) Expected Back Gauge setting is 1.920", but confirm and adjust.
- 4) This same set up applies to all parts listed at right.



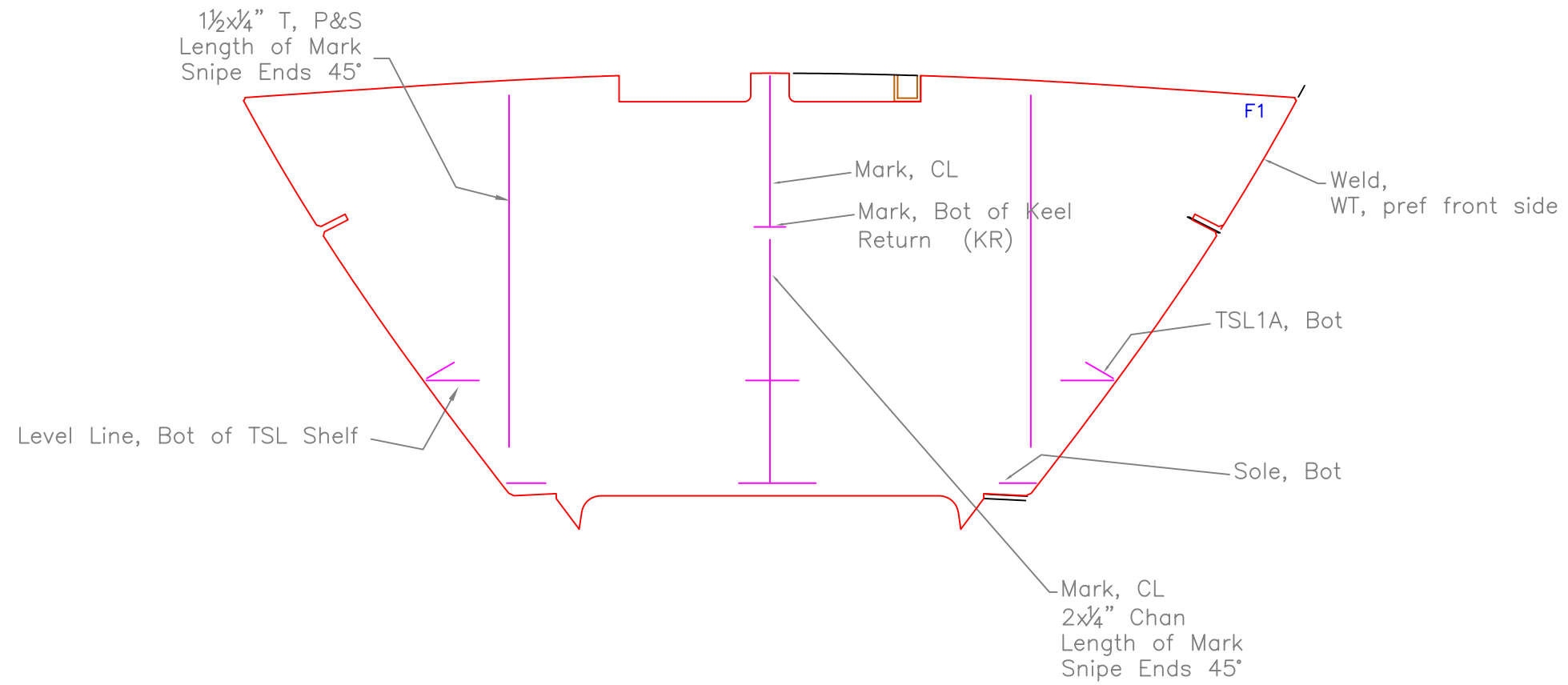
APPLIES TO:

Part #	Pieces	Description
F2	1	Frame 2
F3	1	Frame 3
F4	1	Frame 4
F5	1	Frame 5
F6	1	Frame 6
F61	2	Frame 61
F62	2	Frame 62
F63	2	Frame 63
F64	2	Frame 64
F65	2	Frame 65
F66	2	Frame 66
F67	2	Frame 67
F68	2	Frame 68
F7	1	Frame 7
F71	2	Frame 71
F72	1	Frame 72
F73	2	Frame 73
GP	1	Girder, Port
GS	1	Girder, Stbd
T-3	1	Fuel Tank, Divider
T-4	2	Fuel Tank, Transverse Baffle
T-5A	1	Fuel Tank, Long'l Baffle, Fwd
T-5B	1	Fuel Tank, Long'l Baffle, Aft

FLANGE BENDING		
ROCK SALT 34		
SCALE FULL	DES/DWN WAL	DATE 10/30/07
Response Marine, Inc. Newburyport, MA, www.responsemarine.com		SHEET DWG NO. 296-B-1

REV. DESCRIPTION

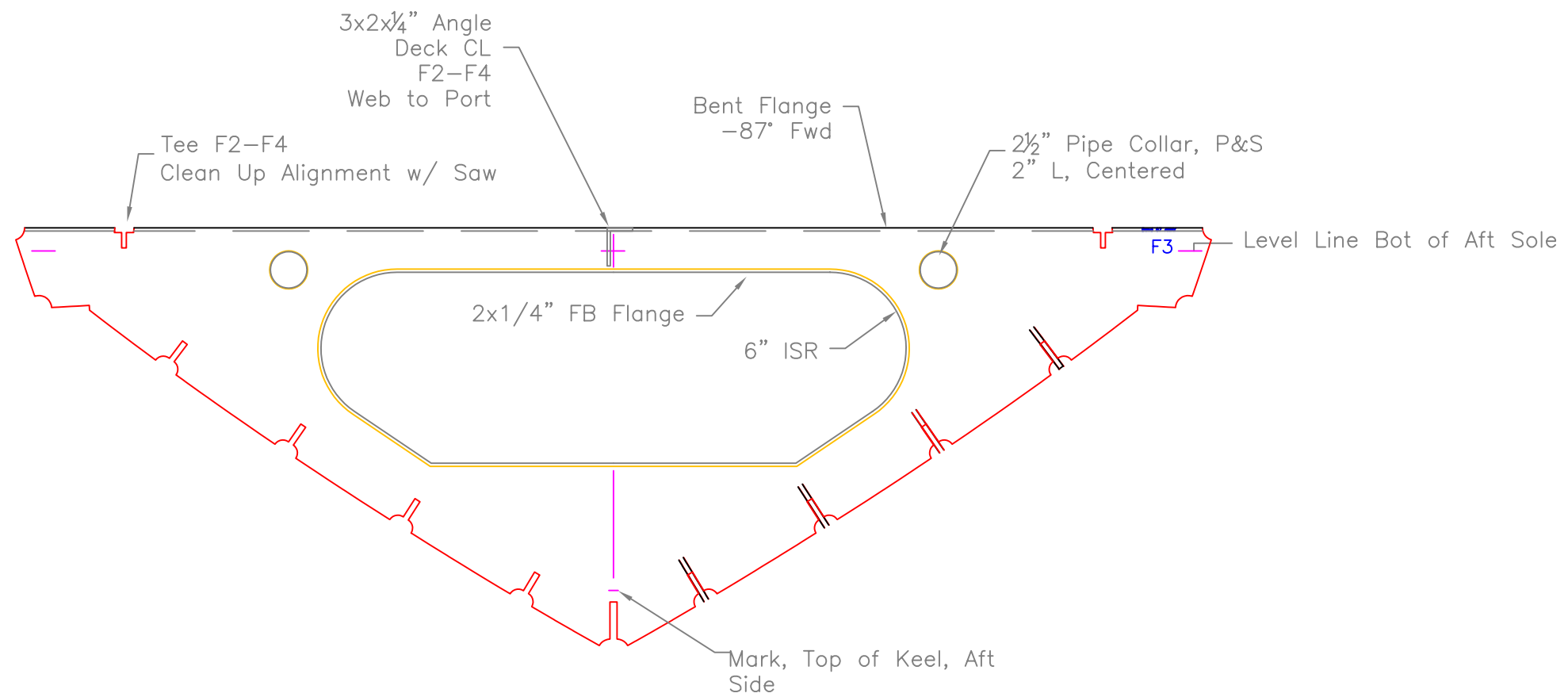
Marks & Stiffeners on FWD SIDE



FRAME 1		
ROCK SALT 34		
SCALE 1" = 1'	DES/DWN WAL	DATE 10/31/07
Response Marine, Inc. Newburyport, MA, www.responsemarine.com		SHEET DWG NO. 296-F-1

REV.	DESCRIPTION

Flange on FWD Side
Marks on AFT Side

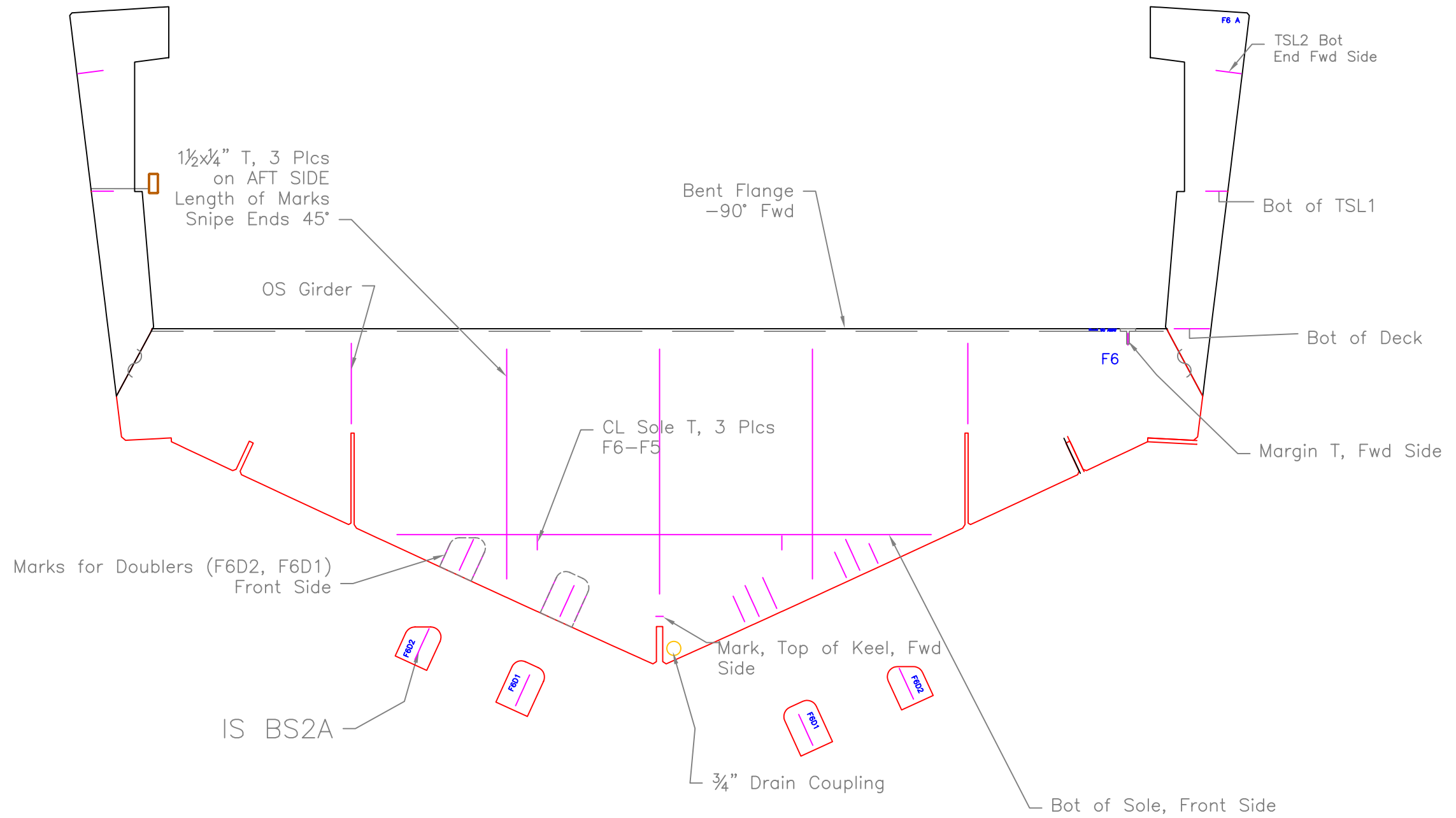


FRAME 3		
ROCK SALT 34		
SCALE 1" = 1'	DES/DWN WAL	DATE 10/31/07
Response Marine, Inc. Newburyport, MA, www.responsemarine.com		SHEET DWG NO. 296-F-3

REV.	DESCRIPTION

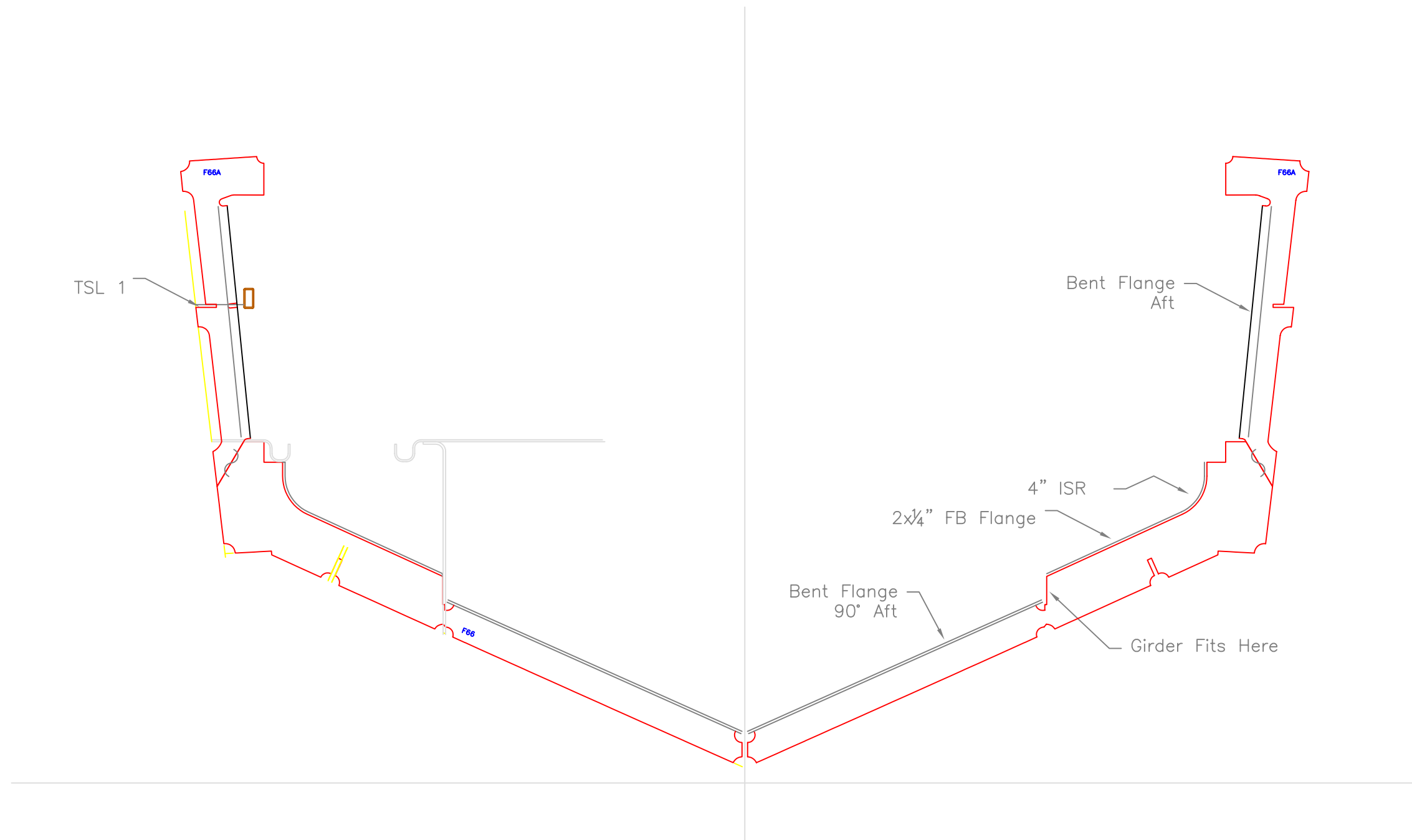
WTBHD

Deck Flange on AFT Side
Marks on FWD Side



FRAME 6		
ROCK SALT 34		
SCALE 1" = 1'	DES/DWN WAL	DATE 10/31/07
Response Marine, Inc. Newburyport, MA, www.responsemarine.com		SHEET DWG NO. 296-F-6

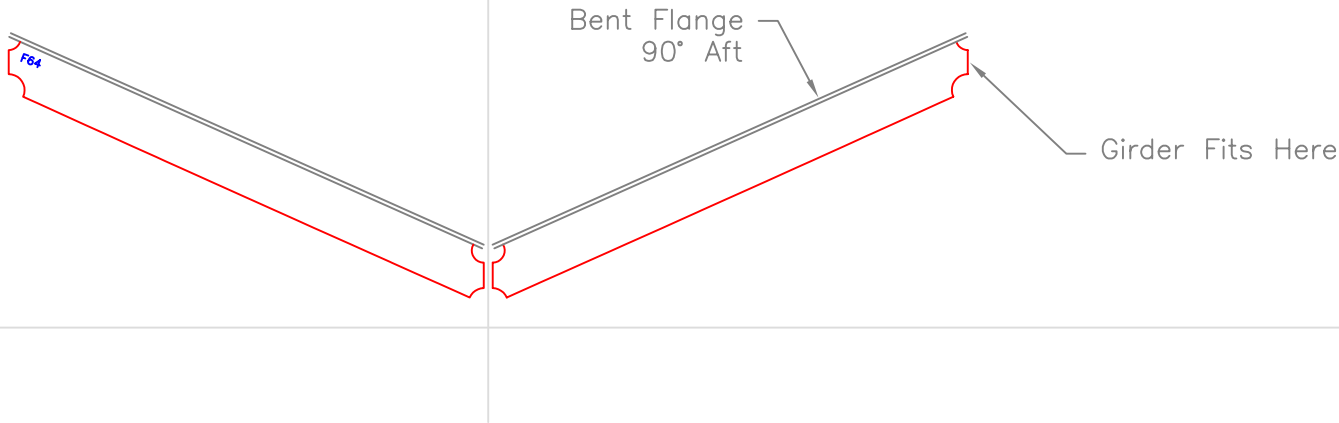
REV.	DESCRIPTION



FRAME 66		
ROCK SALT 34		
SCALE 1" = 1'	DES/DWN WAL	DATE 11/2/07
Response Marine, Inc. Newburyport, MA, www.responsemarine.com		SHEET DWG NO. 296-F-66

REV.	DESCRIPTION

Typical Intermediate Frames:
F61, 62, 64, 65, 67, 68, 71, 73



INTERMEDIATE FRAMES

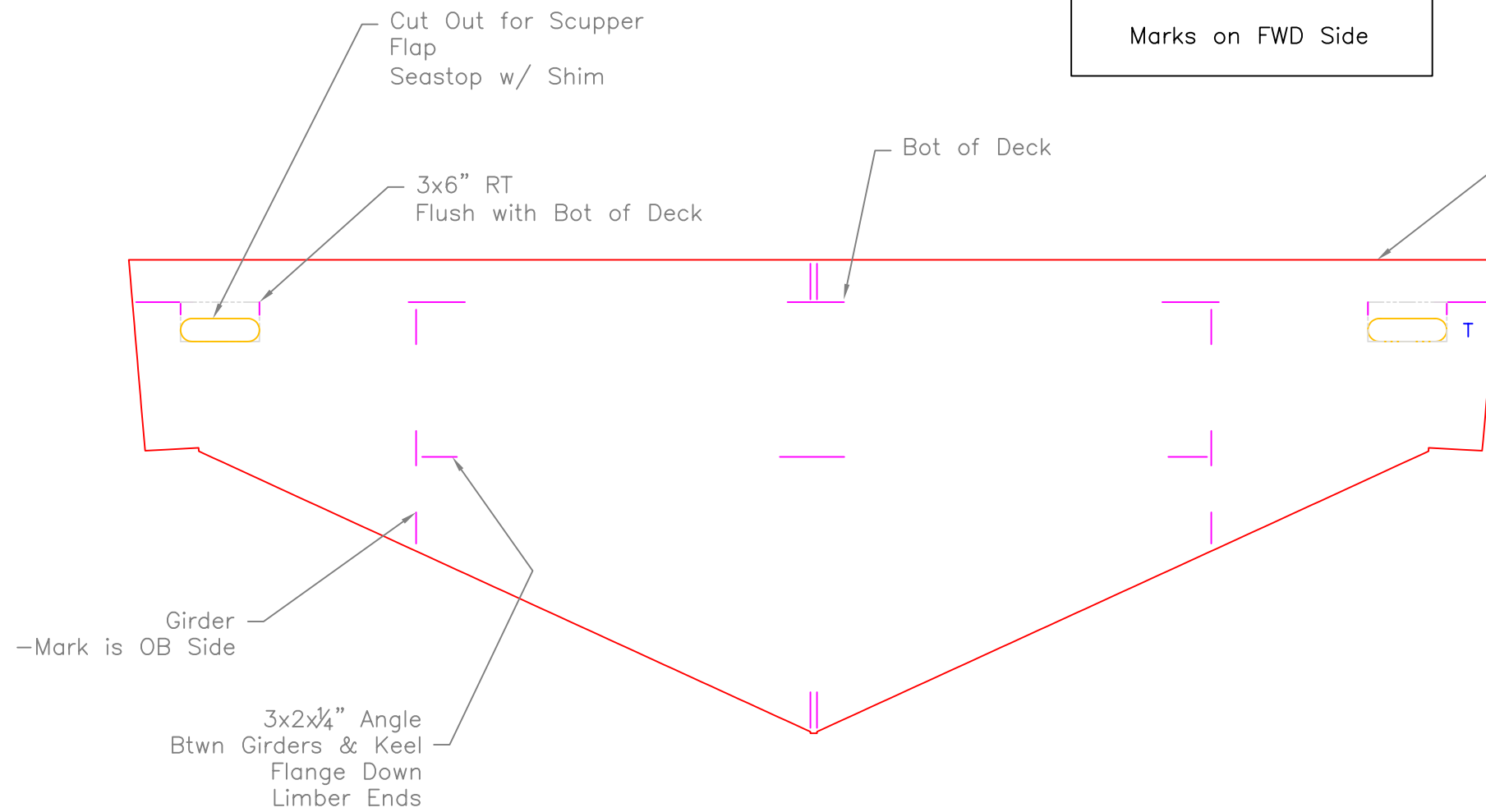
ROCK SALT 34

SCALE 1" = 1'	DES/DWN WAL	DATE 11/2/02
------------------	----------------	-----------------

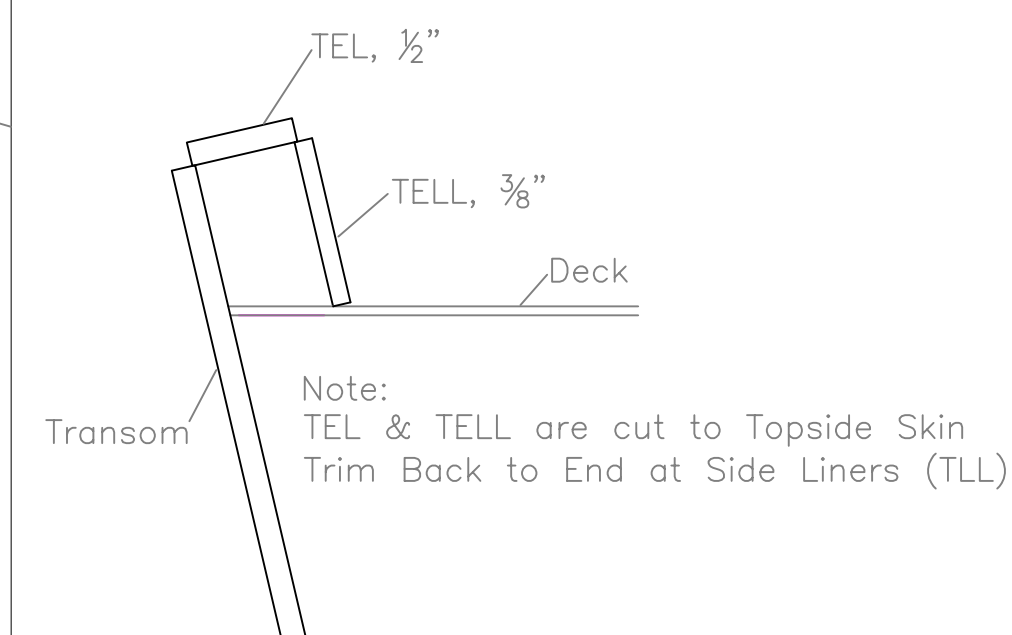
Response Marine, Inc.		SHEET
------------------------------	--	-------

Newburyport, MA, www.responsemarine.com	DWG NO. 296-F-73
---	---------------------

REV.	DESCRIPTION
------	-------------



Profile Section
3"=1'



REV.	DESCRIPTION

TRANSOM		
ROCK SALT 34		
SCALE 1"=1'	DES/DWN WAL	DATE 11/12/07
Response Marine, Inc. Newburyport, MA, www.responsemarine.com		SHEET DWG NO. 296-F-T