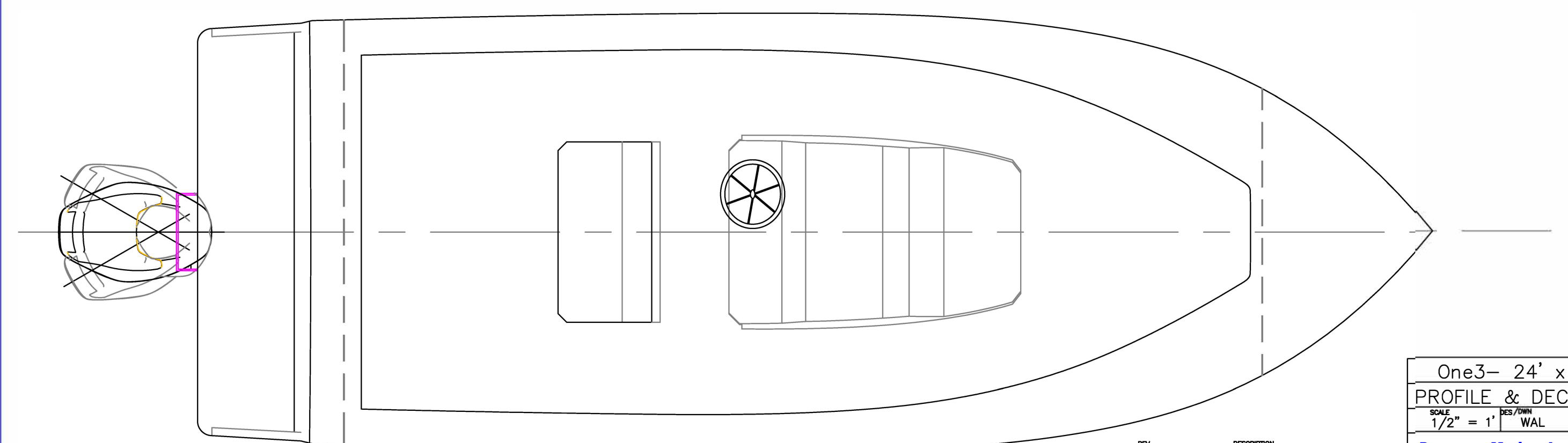
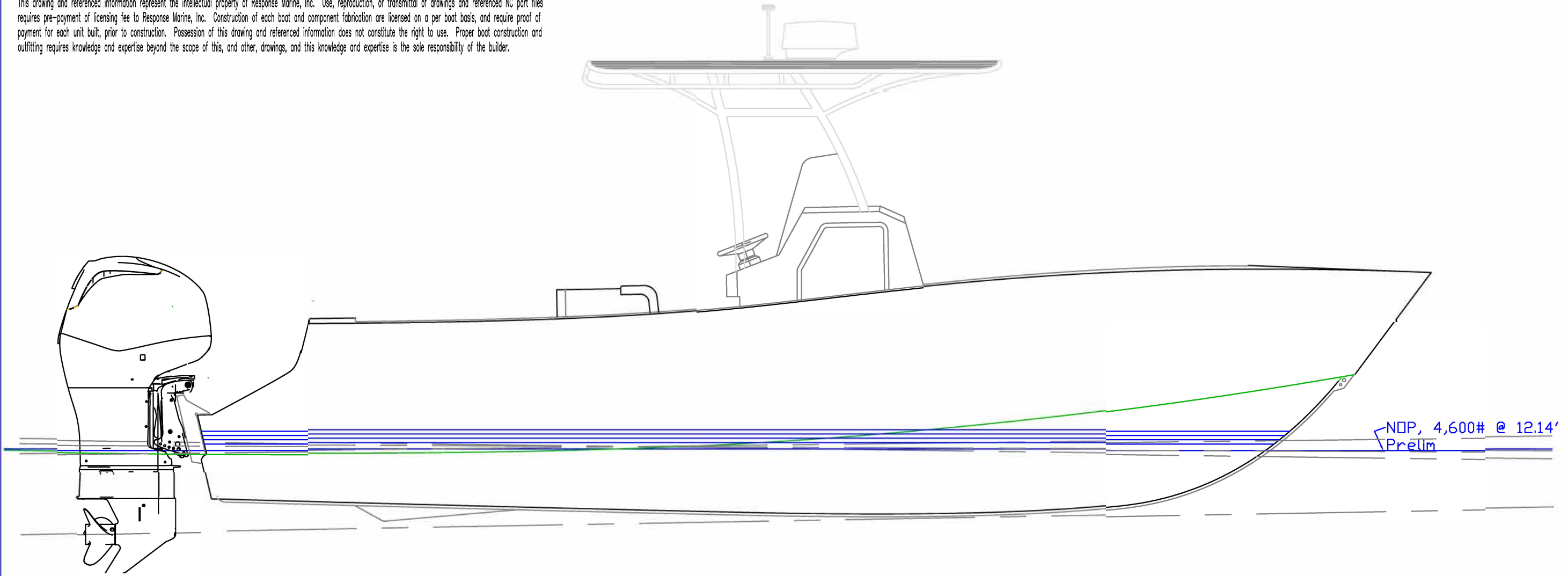
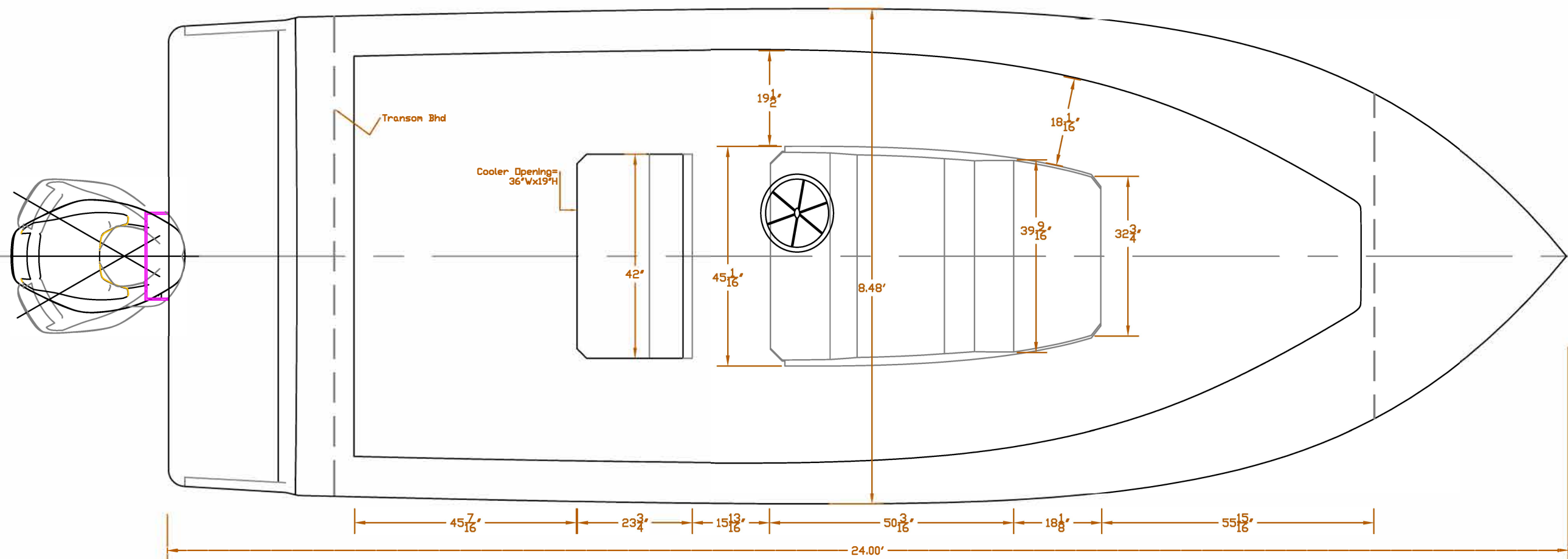


This drawing and referenced information represent the intellectual property of Response Marine, Inc. Use, reproduction, or transmittal of drawings and referenced NC part files requires pre-payment of licensing fee to Response Marine, Inc. Construction of each boat and component fabrication are licensed on a per boat basis, and require proof of payment for each unit built, prior to construction. Possession of this drawing and referenced information does not constitute the right to use. Proper boat construction and outfitting requires knowledge and expertise beyond the scope of this, and other, drawings, and this knowledge and expertise is the sole responsibility of the builder.



One3- 24' x 8.5'		
PROFILE & DECK PLAN		
SCALE 1/2" = 1'	DES/DWN WAL	DATE 8/13/21
Response Marine, Inc. Newburyport, MA, www.responsemarine.com		SHEET DWG NO. 618-1

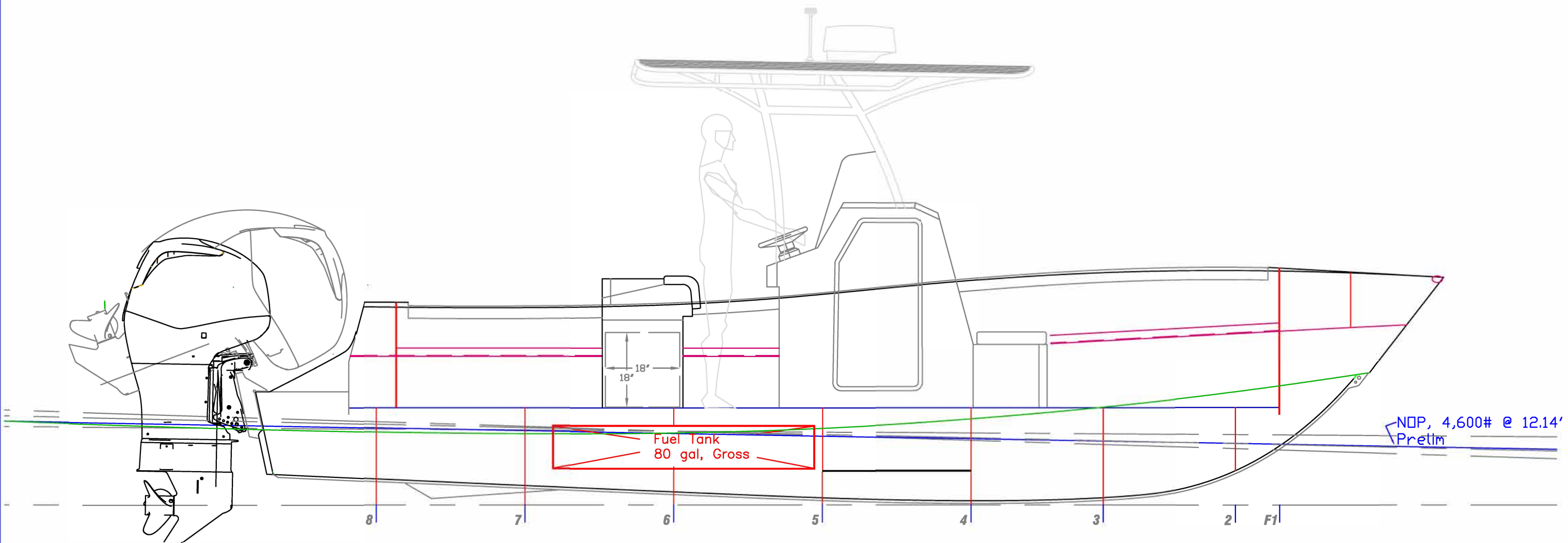
REV.	DESCRIPTION



This drawing and referenced information represent the intellectual property of Response Marine, Inc. Use, reproduction, or transmittal of drawings and referenced NC part files requires pre-payment of licensing fee to Response Marine, Inc. Construction of each boat and component fabrication are licensed on a per boat basis, and require proof of payment for each unit built, prior to construction. Possession of this drawing and referenced information does not constitute the right to use. Proper boat construction and outfitting requires knowledge and expertise beyond the scope of this, and other, drawings, and this knowledge and expertise is the sole responsibility of the builder.

REV.	DESCRIPTION

One3- 24' x 8.5'		
DECK ARRANGE. w/ DIMS		
SCALE 1/2" = 1'	DES/DWN WAL	DATE 8/13/21
Response Marine, Inc. Newburyport, MA, www.responsemarine.com		SHEET DWG NO. 618-2



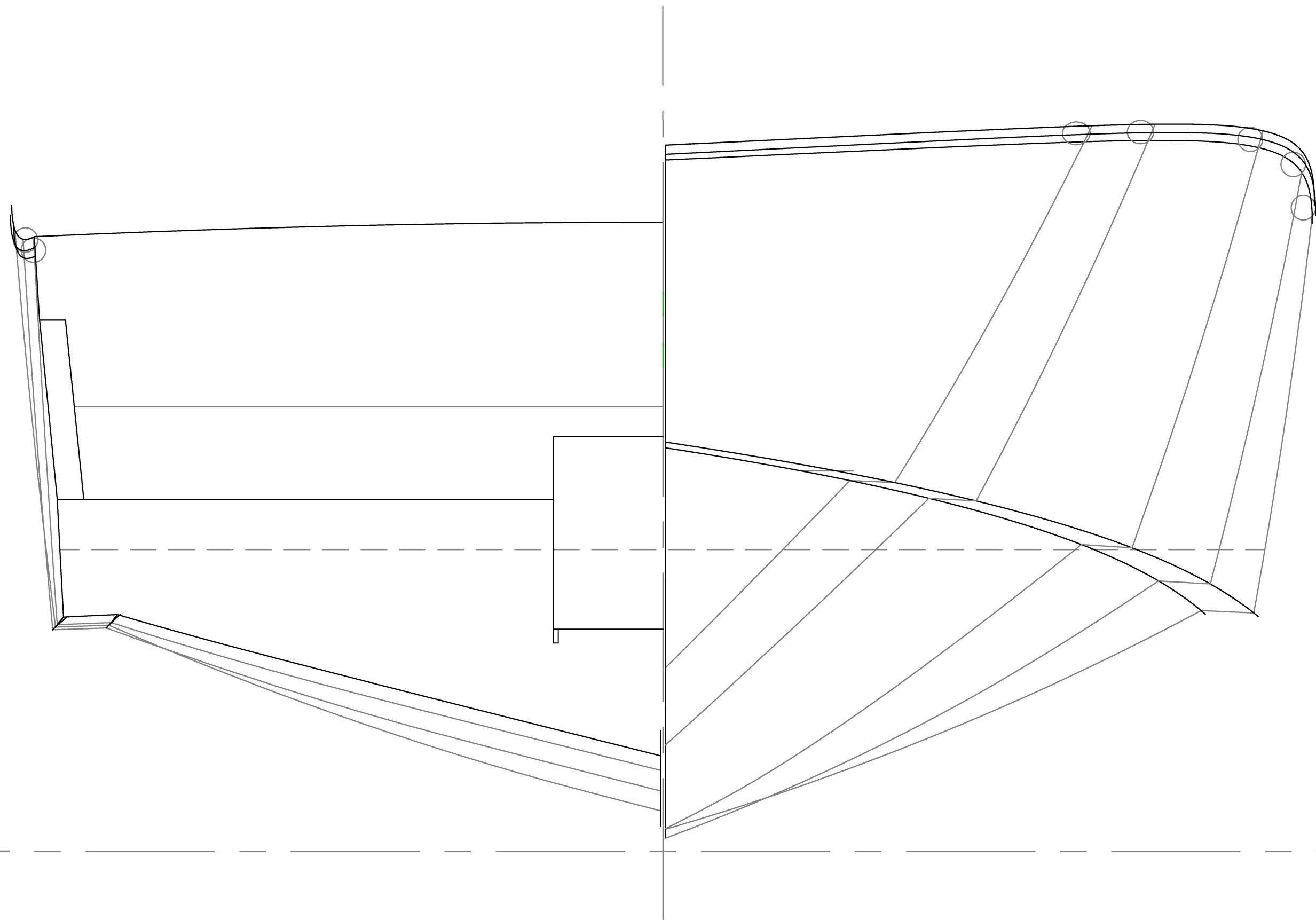
Fuel Tank
80 gal, Gross

NDP, 4,600# @ 12.14'
Pretim

This drawing and referenced information represent the intellectual property of Response Marine, Inc. Use, reproduction, or transmittal of drawings and referenced NC part files requires pre-payment of licensing fee to Response Marine, Inc. Construction of each boat and component fabrication are licensed on a per boat basis, and require proof of payment for each unit built, prior to construction. Possession of this drawing and referenced information does not constitute the right to use. Proper boat construction and outfitting requires knowledge and expertise beyond the scope of this, and other, drawings, and this knowledge and expertise is the sole responsibility of the builder.

REV.	DESCRIPTION

One3- 24' x 8.5'		
INBOARD PROFILE		
SCALE 1/2" = 1'	DES/DWN WAL	DATE 8/13/21
Response Marine, Inc. Newburyport, MA, www.responsemarine.com		SHEET DWG NO. 618-3



This drawing and referenced information represent the intellectual property of Response Marine, Inc. Use, reproduction, or transmittal of drawings and referenced NC part files requires pre-payment of licensing fee to Response Marine, Inc. Construction of each boat and component fabrication are licensed on a per boat basis, and require proof of payment for each unit built, prior to construction. Possession of this drawing and referenced information does not constitute the right to use. Proper boat construction and outfitting requires knowledge and expertise beyond the scope of this, and other, drawings, and this knowledge and expertise is the sole responsibility of the builder.

REV.	DESCRIPTION

One3- 24' x 8.5'		
BODY PLAN- FRAMES		
SCALE 1 1/2" = 1'	DES/DWN WAL	DATE 8/13/21
Response Marine, Inc. Newburyport, MA, www.responsemarine.com		SHEET DWG NO. 618-5