

\*\*\*\*\* Plazed Parts \*\*\*\*\*

Response Marine, Inc.

Boat: Sound Marine- South Hampton 26' Garvey

File: \Des\Sound Mar\SH 26 PO

Rev. Date: 5/8/13

Print Date: 5/15/13

**CUTTING TWO (2) KEELS & CONSOLES!!!! ONLY ONE (1) HULL!!!!**

**3/16" Parts- 5052**

<u>Part #</u>	<u>Pieces</u>	<u>Description</u>	<u>Bend</u>
ALB-P	1	Anchor Locker Bottom, Port, Bow-F1	
ALB-S	1	Anchor Locker Bottom, Stbd, Bow-F1	
SM-AP	1	Sole Margin F1-F2, Port	
SM-AS	1	Sole Margin F1-F2, Stbd	
SM-BP	1	Sole Margin F2-F5, Port	
SM-BS	1	Sole Margin F2-F5, Stbd	
SM-CP	1	Sole Margin F5-Tran, Port	
SM-CS	1	Sole Margin F5-Tran, Stbd	
FD	1	Foredeck	Y 1 as Marked
FT-1	1	Fuel Tank Body	Y 4 as Marked
FT-2	1	Fuel Tank Transverse Baffle	Y Flange B-1
FT-3	1	Fuel Tank Longitudinal Baffle	Y Flange B-1
FT-4	2	Fuel Tank Ends	
FT-5	1	Fuel Tank Top	
SD-AS	1	Side Deck Fwd, Stbd	Y 2 as Marked
SD-AP	1	Side Deck Fwd, Port	Y 2 as Marked
SD-BS	1	Side Deck Aft, Stbd	Y 2 as Marked
SD-BP	1	Side Deck Aft, Port	Y 2 as Marked
SWS-P	1	Splash Well Side, Port	
SWS-S	1	Splash Well Side, Stbd	
TBK	1	Transom Bulkhead	
TD	1	Transom Deck	
TSS-BP	1	Topsides Stringer/Shelf, F1-F4, Port	Y Flange B-1
TSS-BS	1	Topsides Stringer/Shelf, F1-F4, Stbd	Y Flange B-1
TSS-CP	1	Topsides Stringer/Shelf, F4-TBK, Port	Y Flange B-1
TSS-CS	1	Topsides Stringer/Shelf, F4-TBK, Stbd	Y Flange B-1
TSS-DP	1	Topsides Stringer, TBK-Tran (Aft), Port	
TSS-DS	1	Topsides Stringer, TBK-Tran (Aft), Stbd	
29		Sub Total 3/16" 5052 Parts	

**3/16" Parts- 5086 Marine**

<u>Part #</u>	<u>Pieces</u>	<u>Description</u>	<u>Bend</u>
BOW	1	Bow	Y 1 as Marked

F1	1	Frame 1		
F2	1	Frame 2	Y	Flange B-1
F2P	1	Frame 2, Port		
F2S	1	Frame 2, Stbd		
F3	1	Frame 3	Y	Flange B-1
F3-P	1	Frame 3, Port	Y	Flange B-1
F3-S	1	Frame 3, Stbd	Y	Flange B-1
F4	1	Frame 4	Y	Flange B-1
F4-AP	1	Frame 4, Port Lower	Y	Flange B-1
F4-AS	1	Frame 4, Stbd Lower	Y	Flange B-1
F4-BP	1	Frame 4, Port Upper		
F4-BS	1	Frame 4, Stbd Upper		
F5	1	Frame 5	Y	Flange B-1
F5-P	1	Frame 5, Port	Y	Flange B-1
F5-S	1	Frame 5, Stbd	Y	Flange B-1
F6	1	Frame 6	Y	Flange B-1
F6-P	1	Frame 6, Port		
F6-S	1	Frame 6, Stbd		
F7	1	Frame 7	Y	Flange B-1
F7-P	1	Frame 7, Port	Y	Flange B-1
F7-S	1	Frame 7, Stbd	Y	Flange B-1
G-AP	1	Girder, Fwd Port (F1-F2)	Y	Flange B-1
G-AS	1	Girder, Fwd Stbd (F1-F2)	Y	Flange B-1
G-BP	1	Girder, Mid Port (F2-F5)	Y	Flange B-1
G-BS	1	Girder, Mid Stbd (F2-F5)	Y	Flange B-1
G-CP	1	Girder, Aft Port (F5-Tran)	Y	Flange B-1
G-CS	1	Girder, Aft Stbd (F5-Tran)	Y	Flange B-1
TS-AP	1	Topsides, Fwd Port		
TS-AS	1	Topsides, Fwd Stbd		
TS-BP	1	Topsides, Aft Port		
TS-BS	1	Topsides, Aft Stbd		

32 Sub Total 3/16" 5086 Parts

### **1/4" Parts- 5086 H116 Marine**

B-AP	1	Bottom, Fwd Port		
B-AS	1	Bottom, Fwd Stbd		
B-BP	1	Bottom, Aft Port		
B-BS	1	Bottom, Aft Stbd		
BLS-1AP	1	Bottom Longitudinal 1, Fwd Port (Bow-F2)		
BLS-1AS	1	Bottom Longitudinal 1, Fwd Stbd (Bow-F2)		
BLS-1BP	1	Bottom Longitudinal 1, Aft Port (F2-Tran)		
BLS-1BS	1	Bottom Longitudinal 1, Aft Stbd (F2-Tran)		
BLS-2P	1	Bottom Longitudinal 2, Port (Bow-F1)		
BLS-2S	1	Bottom Longitudinal 2, Stbd (Bow-F1)		
BLS-3AP	1	Bottom Longitudinal 3, Fwd Port (Bow-F6)		
BLS-3AS	1	Bottom Longitudinal 3, Fwd Stbd (Bow-F6)		
BLS-3BP	1	Bottom Longitudinal 3, Aft Port (F6-Tran)		
BLS-3BS	1	Bottom Longitudinal 3, Aft Stbd (F6-Tran)		
TK-1	2	Transom Knee, Mate to BLS-1		
TR	1	Transom		

TSS-A                    1      Topsides Stringer, Fwd (Stem-F1)

18      Sub Total 1/4" 5086 Parts

**3/8" Parts 5086 H116 Marine**

Part #                    Pieces                    Description

KA                         2      Keel, Fwd

KB                         2      Keel, Mid

KC                         2      Keel, Aft

6      Sub Total 3/8" 5086 Parts

85      Total Parts

Waterlines:

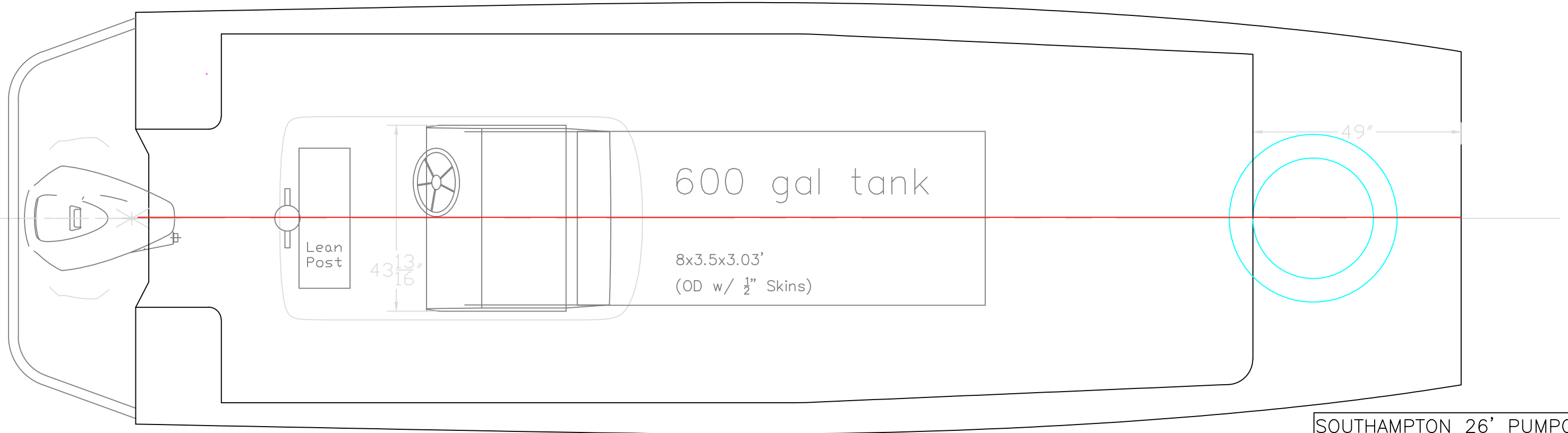
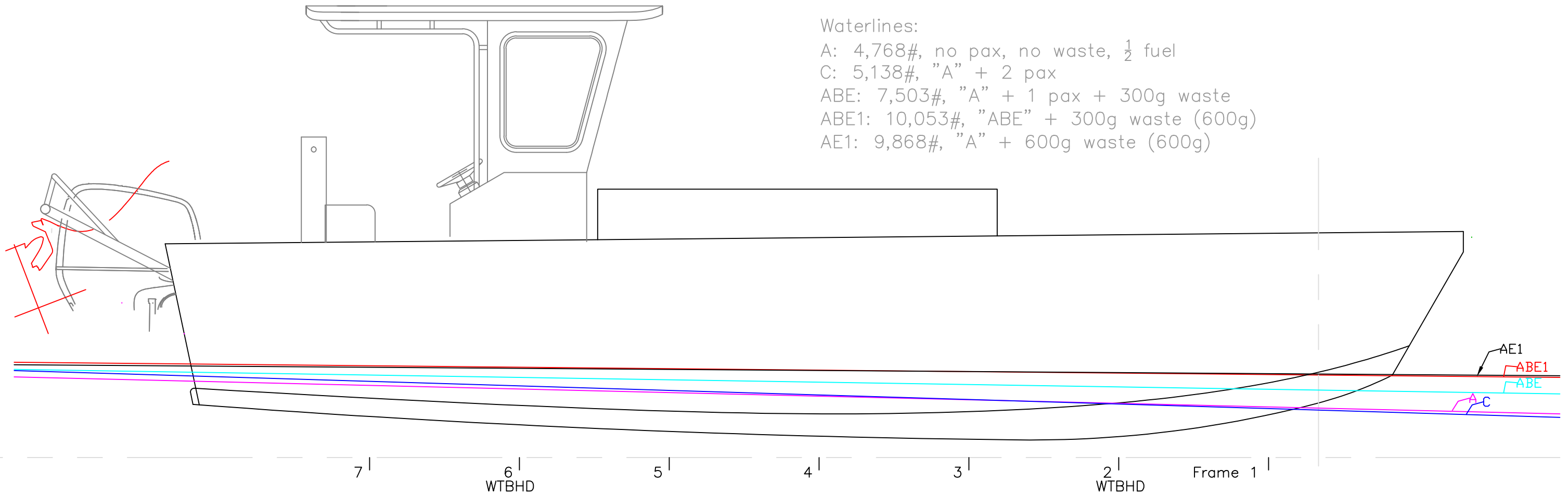
A: 4,768#, no pax, no waste,  $\frac{1}{2}$  fuel

C: 5,138#, "A" + 2 pax

ABE: 7,503#, "A" + 1 pax + 300g waste

ABE1: 10,053#, "ABE" + 300g waste (600g)

AE1: 9,868#, "A" + 600g waste (600g)



This drawing represents significant intellectual property of Response Marine, Inc. Reproduction of this drawing in any form, in whole or in part, including transmissions of any type, to third parties is forbidden without the prior written consent of Response Marine, Inc.

REV.	DESCRIPTION

SOUTHAMPTON 26' PUMPOUT		
For: Sound Marine		
SCALE 1/2"=1'	DES/DWN WAL/JCC	DATE 5/10/13
Response Marine, Inc.		REV
Newburyport, MA, www.responsemarine.com		DWG NO. 449-01

Waterlines:

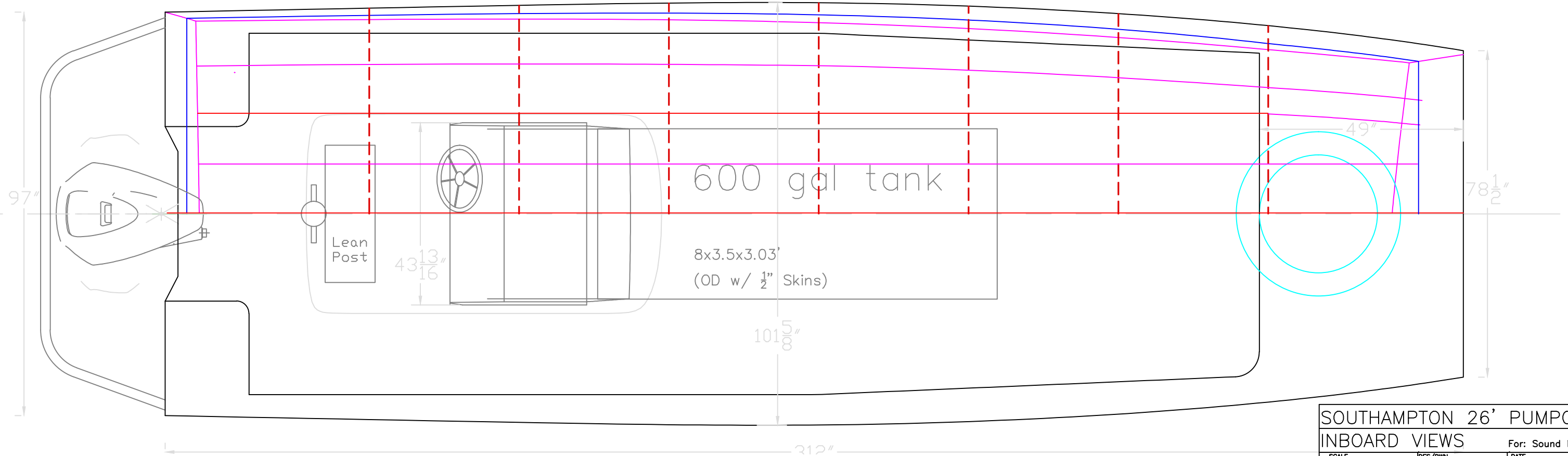
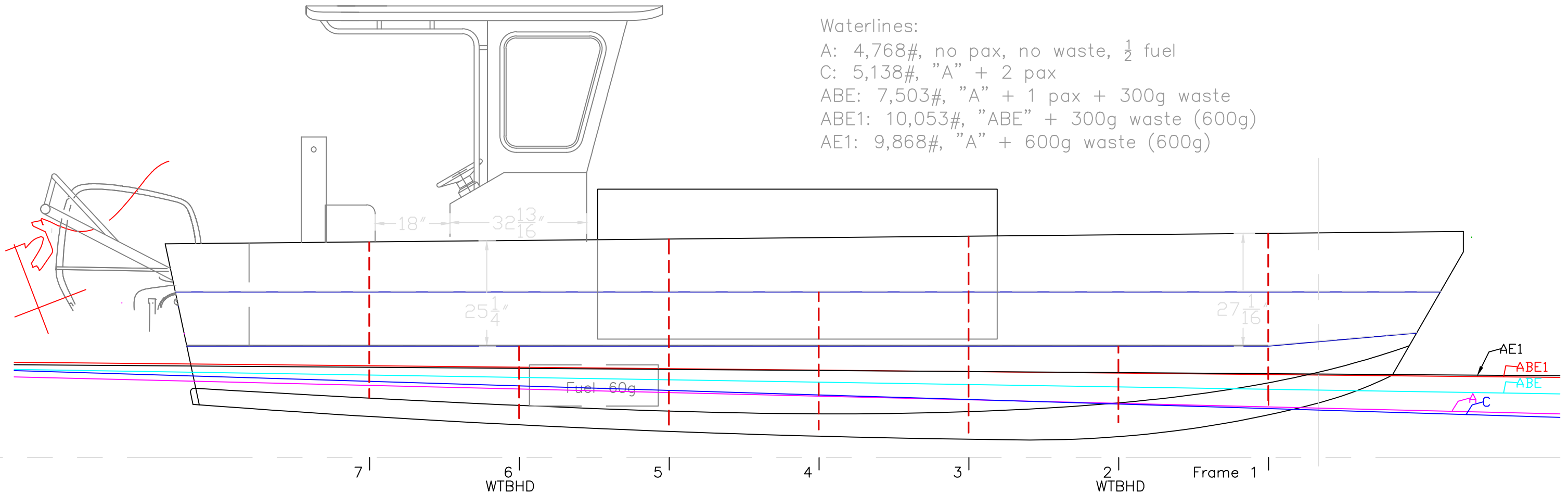
A: 4,768#, no pax, no waste,  $\frac{1}{2}$  fuel

C: 5,138#, "A" + 2 pax

ABE: 7,503#, "A" + 1 pax + 300g waste

ABE1: 10,053#, "ABE" + 300g waste (600g)

AE1: 9,868#, "A" + 600g waste (600g)

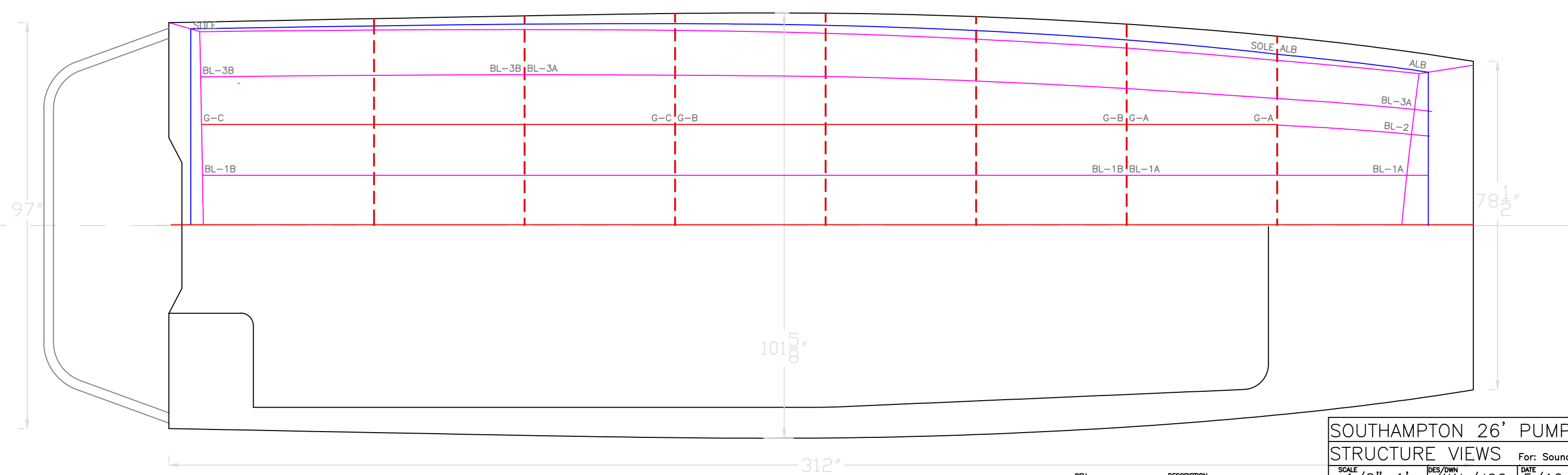
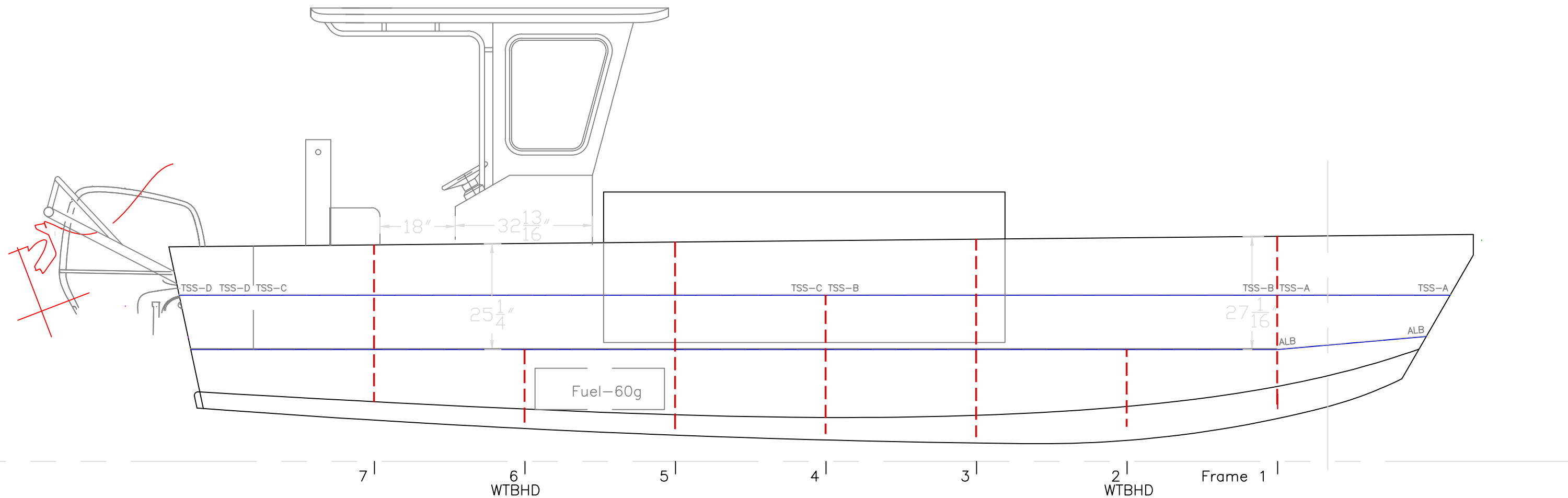


This drawing represents significant intellectual property of Response Marine, Inc. Reproduction of this drawing in any form, in whole or in part, including transmissions of any type, to third parties is forbidden without the prior written consent of Response Marine, Inc.

REV.	DESCRIPTION

SOUTHAMPTON 26' PUMPOUT		
INBOARD VIEWS		
SCALE 1/2"=1'	DES/DWN WAL/JCC	DATE 5/10/13
Response Marine, Inc.		REV
Newburyport, MA, www.responsemarine.com		DWG NO. 449-02

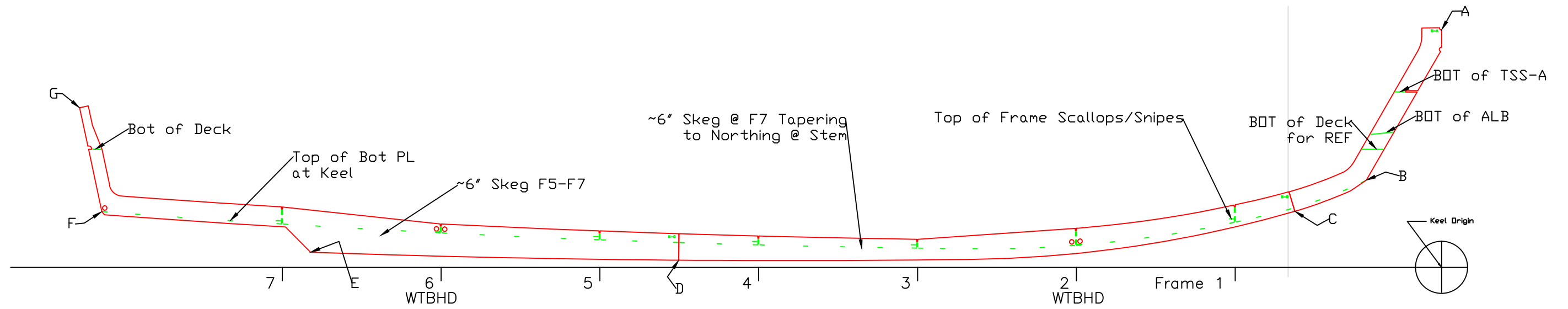
For: Sound Marine



This drawing represents significant intellectual property of Response Marine, Inc. Reproduction of this drawing in any form, in whole or in part, including transmissions of any type, to third parties is forbidden without the prior written consent of Response Marine, Inc.

REV.	DESCRIPTION

SOUTHAMPTON 26' PUMPOUT STRUCTURE VIEWS			For: Sound Marine
SCALE 1/2"=1'	DES/DWN WAL/JCC	DATE 5/10/13	REV
Response Marine, Inc.		DWG NO. 449-02	
Newburyport, MA, www.responsemarine.com			



Response Marine, Inc.  
 South Hampton 26' 5/14/13  
 Keel Points

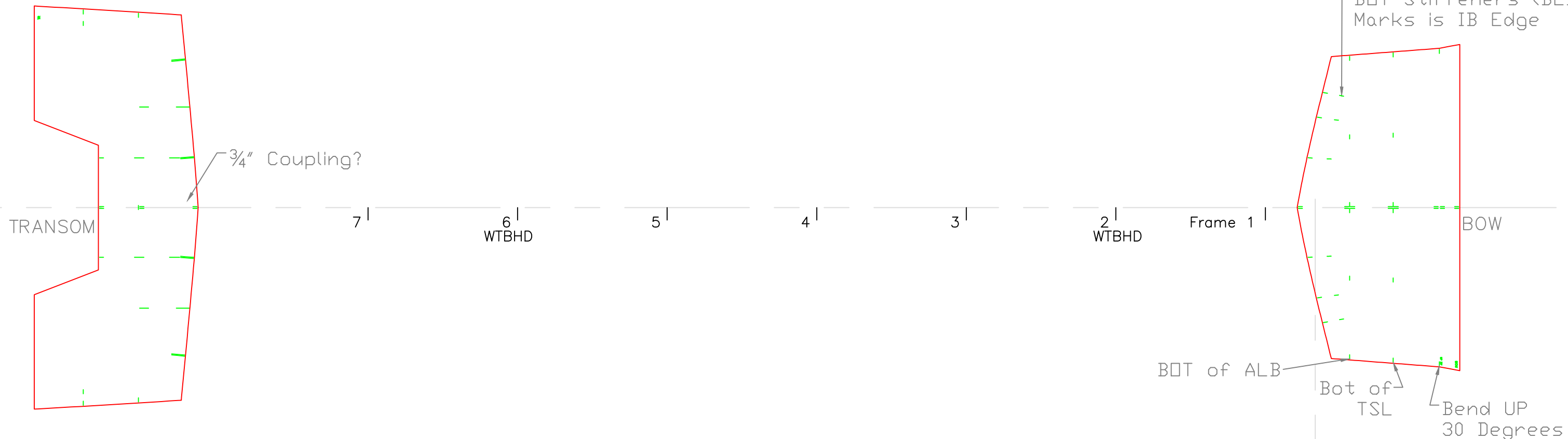
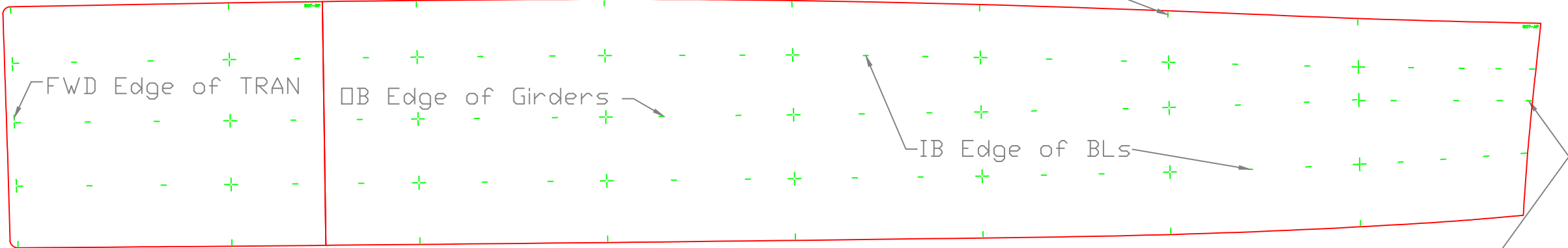
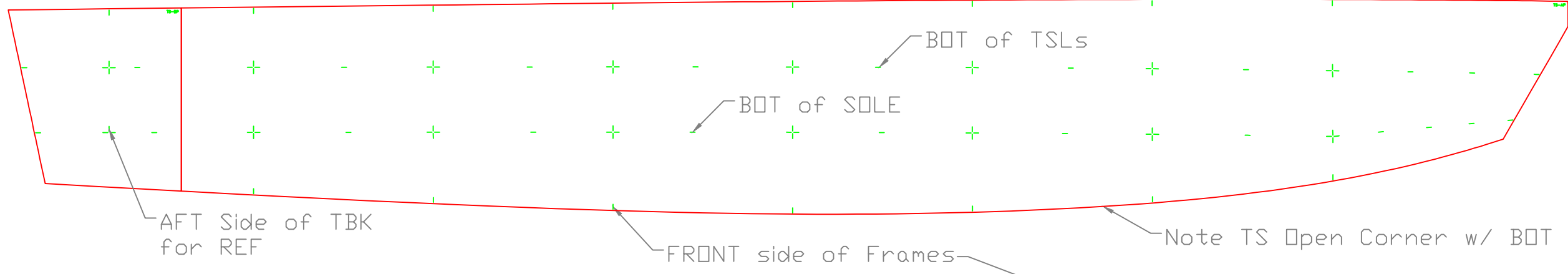
	Inches- sixteenths		Feet	
	Horizontal	Vertical	Horizontal	Vertical
A to Origin	0	53.12/16	0.0000	4.4826
B to Origin				
C to Origin				
D to Origin				
E to Origin				
F to Origin				
G to Origin				
A to Origin				
B to Origin				
C to Origin				
D to Origin				
E to Origin				
F to Origin				
G to Origin				
A to				
B to				
C to				
D to				
E to				
F to				
G to				

This drawing represents significant intellectual property of Response Marine, Inc. Reproduction of this drawing in any form, in whole or in part, including transmissions of any type, to third parties is forbidden without the prior written consent of Response Marine, Inc.

REV.	DESCRIPTION

SOUTHAMPTON 26' PUMPOUT		
KEEL DRAWING		
SCALE	DES/DWN	DATE
1/2"=1'	WAL/JCC	5/9/13
Response Marine, Inc.		REV
Newburyport, MA, www.responsemarine.com		DWG NO.
		449-2-01

For: Sound Marine



This drawing represents significant intellectual property of Response Marine, Inc. Reproduction of this drawing in any form, in whole or in part, including transmissions of any type, to third parties is forbidden without the prior written consent of Response Marine, Inc.

REV.	DESCRIPTION

SOUTHAMPTON 26' PUMPOUT		
SKIN LAYOUT		
SCALE	DES/DWN	DATE
1/2"=1'	WAL/JCC	5/15/13
For: Sound Marine		REV
Response Marine, Inc.		DWG NO.
Newburyport, MA, www.responsemarine.com		449-2-02

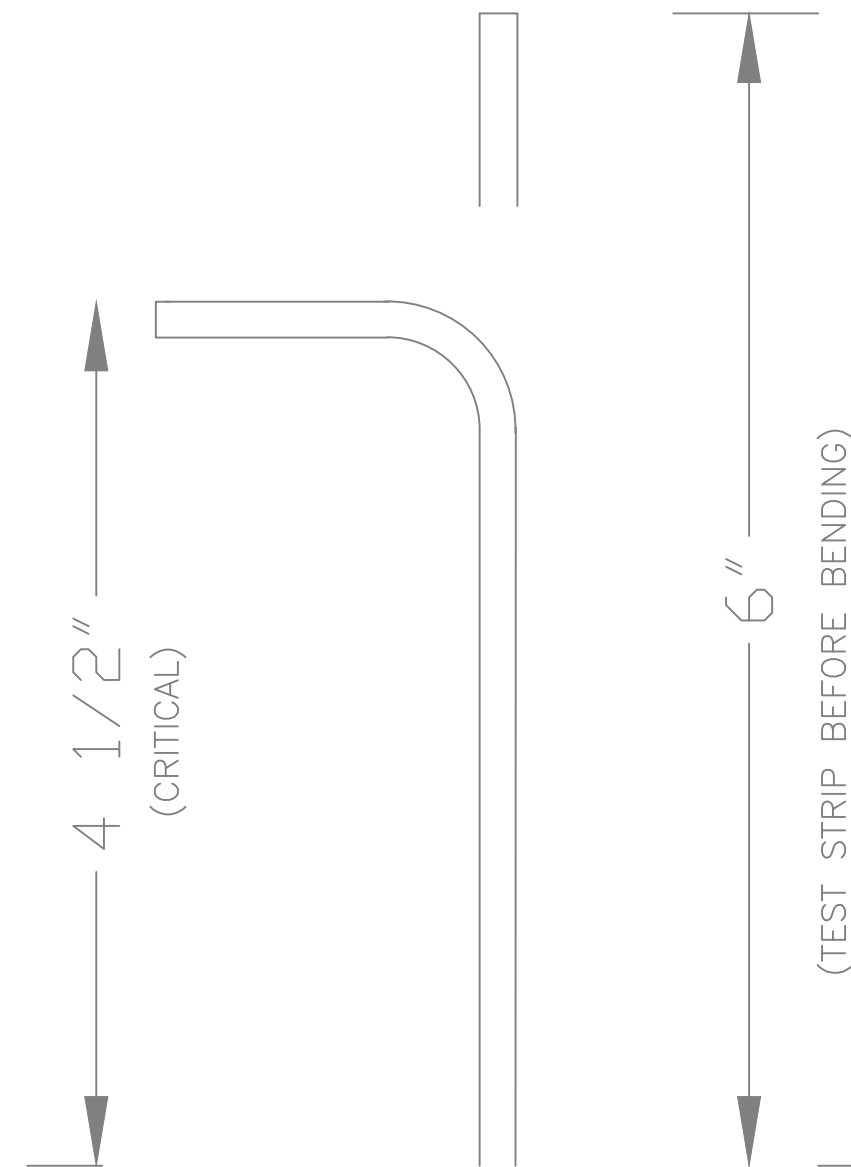


STANDARD FLANGE BENDING: 3/16" 5086/83 H116 Stock

- 1) Confirm results for dimensions and cracking with test strips before bending frames.
- 2) Expected Die Radius is 1/2"
- 3) Flanges are designed for outside major flange length of 1 1/2" less than flat stock length as shown.
- 4) Expected Back Gauge setting is 1.74", but confirm and adjust, based on test strip.

Parts to be flanged per this same set-up are listed on the Parts List & Below.

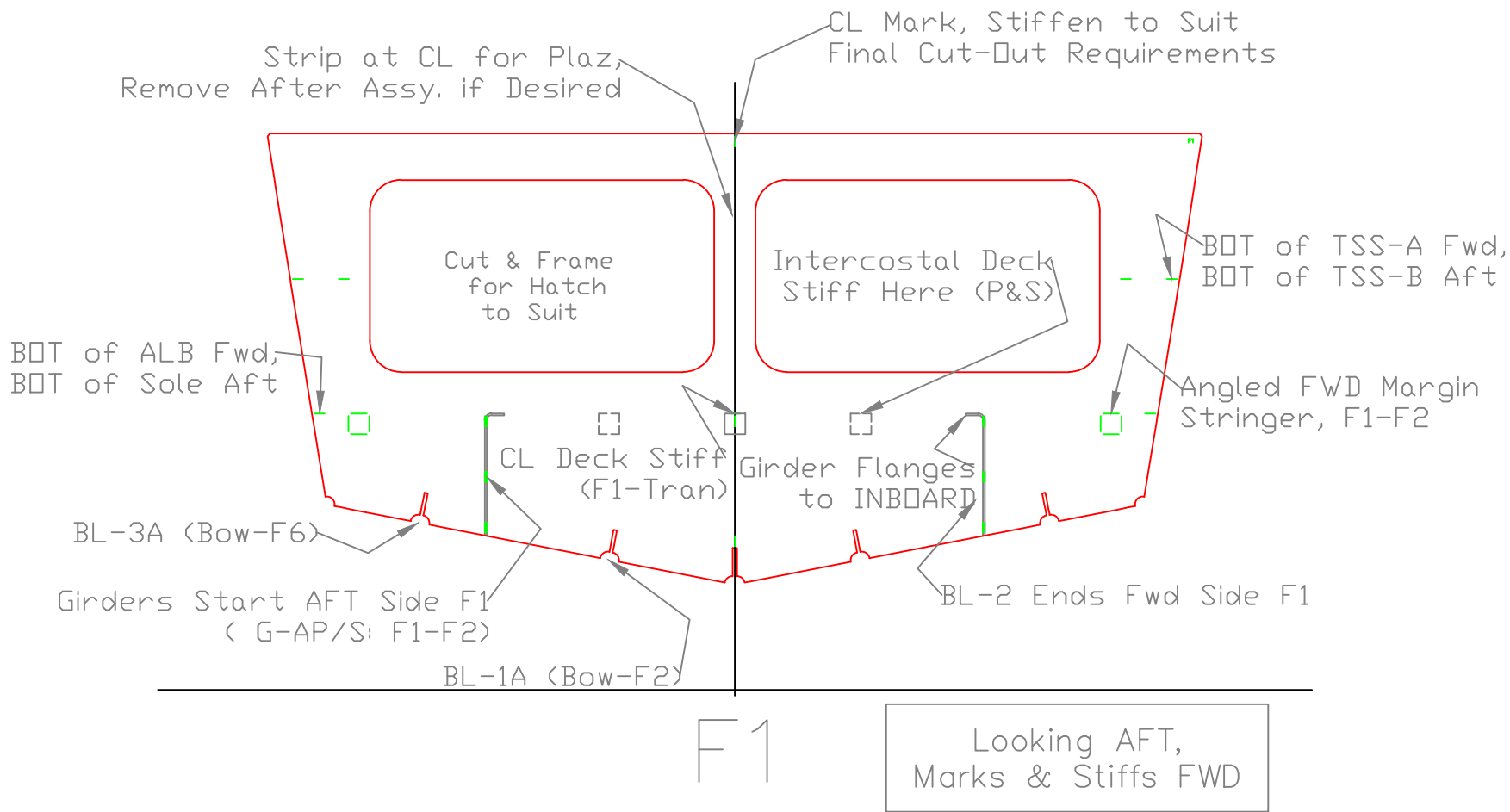
***** B-1 BENT FLANGE PARTS *****				
<b>3/16" Parts- 5052</b>				
!!! TIGHT RADIUS DIE !!!				
Part #	Pieces	Description	Bend	
FT-2	1	Fuel Tank Transverse Baffle	Y	Flange B-1
FT-3	1	Fuel Tank Longitudinal Baffle	Y	Flange B-1
TSS-BP	1	Topsides Stringer/Shelf, F1-F4, Port	Y	Flange B-1
TSS-BS	1	Topsides Stringer/Shelf, F1-F4, Stbd	Y	Flange B-1
TSS-CP	1	Topsides Stringer/Shelf, F4-TBK, Port	Y	Flange B-1
TSS-CS	1	Topsides Stringer/Shelf, F4-TBK, Stbd	Y	Flange B-1
	6	Sub Total 3/16" 5052 B-1 BENT Parts		
<b>3/16" Parts- 5086 Marine</b>				
!!! LARGE RADIUS DIE !!!				
Part #	Pieces	Description	Bend	
F2	1	Frame 2	Y	Flange B-1
F3	1	Frame 3	Y	Flange B-1
F3-P	1	Frame 3, Port	Y	Flange B-1
F3-S	1	Frame 3, Stbd	Y	Flange B-1
F4	1	Frame 4	Y	Flange B-1
F4-AP	1	Frame 4, Port Lower	Y	Flange B-1
F4-AS	1	Frame 4, Stbd Lower	Y	Flange B-1
F5	1	Frame 5	Y	Flange B-1
F5-P	1	Frame 5, Port	Y	Flange B-1
F5-S	1	Frame 5, Stbd	Y	Flange B-1
F6	1	Frame 6	Y	Flange B-1
F7	1	Frame 7	Y	Flange B-1
F7-P	1	Frame 7, Port	Y	Flange B-1
F7-S	1	Frame 7, Stbd	Y	Flange B-1
G-AP	1	Girder, Fwd Port (F1-F2)	Y	Flange B-1
G-AS	1	Girder, Fwd Stbd (F1-F2)	Y	Flange B-1
G-BP	1	Girder, Mid Port (F2-F5)	Y	Flange B-1
G-BS	1	Girder, Mid Stbd (F2-F5)	Y	Flange B-1
G-CP	1	Girder, Aft Port (F5-Tran)	Y	Flange B-1
G-CS	1	Girder, Aft Stbd (F5-Tran)	Y	Flange B-1
	20	Sub Total 3/16" 5086 B-1 BENT Parts		



This drawing represents significant intellectual property of Response Marine, Inc. Reproduction of this drawing in any form, in whole or in part, including transmissions of any type, to third parties is forbidden without the prior written consent of Response Marine, Inc.

REV.	DESCRIPTION

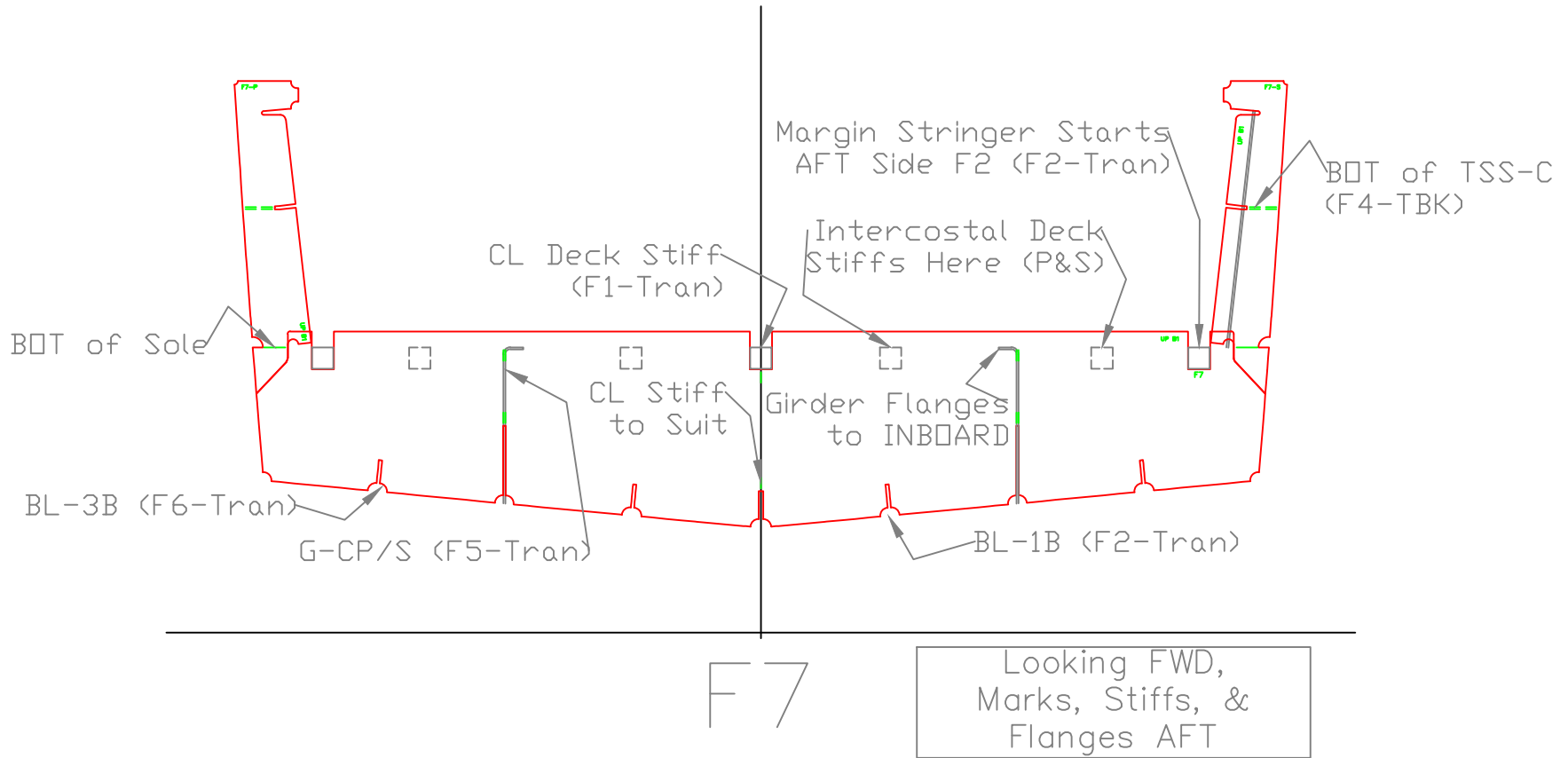
SOUTHAMPTON 26' PUMPOUT			
TYP. B-1 FLANGE			For: Sound Mc
SCALE	DES/DWN	DATE	REV
FULL	WAL/JCC	5/10/13	
<b>Response Marine, Inc.</b>			DWG NO.
Newburyport, MA, www.responsemarine.com			449-B-1



This drawing represents significant intellectual property of Response Marine, Inc. Reproduction of this drawing in any form, in whole or in part, including transmissions of any type, to third parties is forbidden without the prior written consent of Response Marine, Inc.

REV.	DESCRIPTION

SOUTHAMPTON 26' PUMPOUT		
FRAME 1		For: Sound Marine
SCALE 3/4" = 1'	DES/DWN WAL/JCC	DATE 5/15/13
<b>Response Marine, Inc.</b>		REV
Newburyport, MA, <a href="http://www.responsemarine.com">www.responsemarine.com</a>		DWG NO. 449-F-1



This drawing represents significant intellectual property of Response Marine, Inc. Reproduction of this drawing in any form, in whole or in part, including transmissions of any type, to third parties is forbidden without the prior written consent of Response Marine, Inc.

REV.	DESCRIPTION

SOUTHAMPTON 26' PUMPOUT		
FRAME 7		For: Sound Marine
SCALE 3/4" = 1'	DES/DWN WAL/JCC	DATE 5/15/13
<b>Response Marine, Inc.</b>		REV
Newburyport, MA, <a href="http://www.responsemarine.com">www.responsemarine.com</a>		DWG NO. 449-F-7