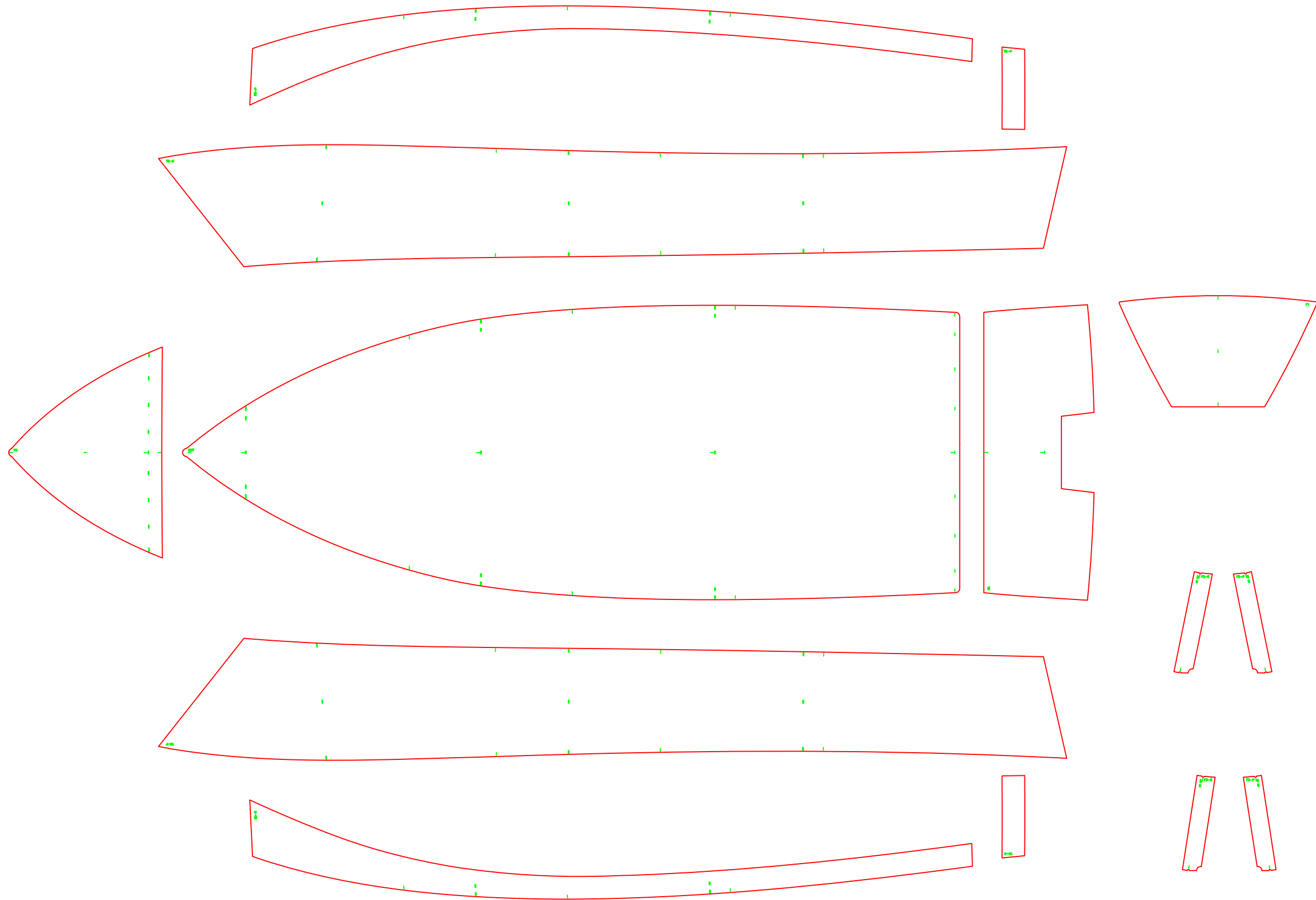


GENERAL VIEWS
18'x6.75' FB SKIFF

For: Sound Marine		
SCALE 3/4"=1'	DES/DWN WAL	DATE 10/21/15
Response Marine, Inc.		REV
Newburyport, MA, www.responsemarine.com		DWG NO. 492-1

REV.	DESCRIPTION



CUT PARTS

18'x6'9" FB SKIFF

For: Sound Marine

SCALE	DES/DWN	DATE
NONE	WAL	10/3/14

Response Marine, Inc. Newburyport, MA, www.responsemarine.com		SHEET
---	--	-------

DWG NO.	492-PT
---------	--------

REV.	DESCRIPTION

FB18 NC Parts

Response Marine, Inc. Plaz Parts for #492, Sound 18' FB
 Note Parts are listed for Single Boat
 File: Sound 18 FB

10/3/2014
 Print Date: 10/3/2014

3/16" Parts- 5086/5083 Marine

<u>Part #</u>	<u>Pieces</u>	<u>Description</u>	<u>BEND</u>
B	1	Bottom	
F1	1	Frame 1	
F2-P	1	Topside Frame 2, Port	Y
F2-S	1	Topside Frame 2, Stbd	Y
F3-P	1	Topside Frame 3, Port	Y
F3-S	1	Topside Frame 3, Stbd	Y
FD	1	Foredeck	
SD-P	1	Side Deck Fwd, Port	
SD-S	1	Side Deck Fwd, Stbd	
TD-P	1	Transom Deck, Port	
TD-S	1	Transom Deck, Stbd	
TR	1	Transom (actually no label on this part)	
TS-P	1	Topsides Port	
TS-S	1	Topsides Stbd	
	14	Sub Total	

3/16" Parts- 5052

<u>Part #</u>	<u>Pieces</u>	<u>Description</u>	<u>BEND</u>
	0	Sub Total	

1/8" Parts- 5052

<u>Part #</u>	<u>Pieces</u>	<u>Description</u>	<u>BEND</u>
	0	Sub Total	
	14	TOTAL PARTS	

CNC File Name 2671

Work Order T3494

True Scrap 22.9 %

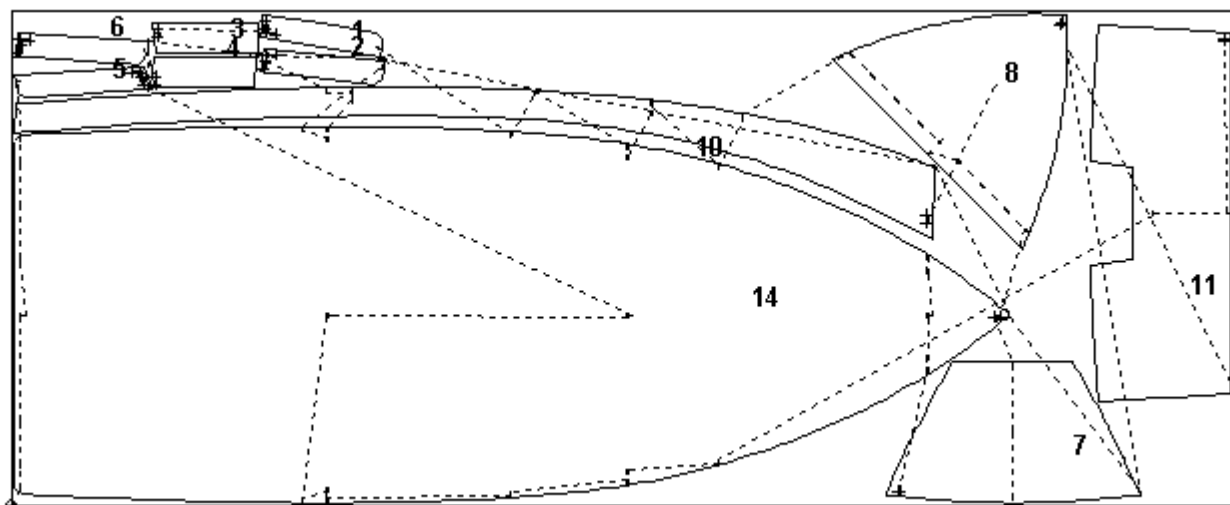
Qty Required 14

Number of Sheets with Same Layout : 1

Rect Scrap -14.0 %

Qty Nested 11

Layout 1 of 2

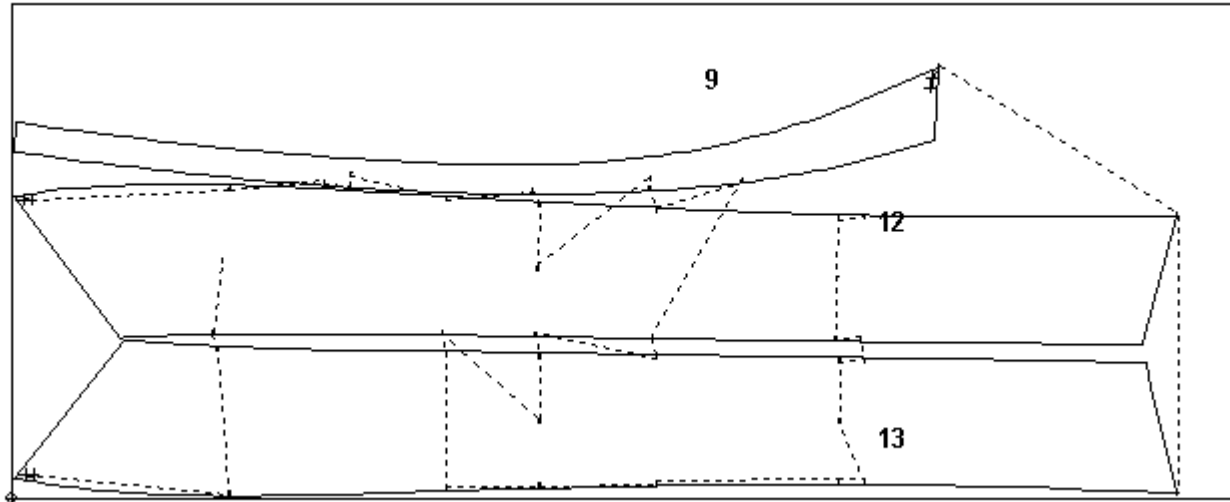


Material	5086	Sheet Length	240.000"	Sheet X Used	237.550"	Heat Number
Thickness	0.188"	Sheet Height	96.000"	Sheet Y Used	95.500"	DATE
CUT THIS SHEET () TIMES				Cutting Length	1815.96	Operator #

Part ID	Part Name	Qty. Req	Qty. Nested	Work Order Number	Customer	Cutting Time
1	P14647			Hull 492	sound marine	00:02:05
2	P14648			Hull 492		00:02:03
3	P14649			Hull 492		00:01:18
4	P14650			Hull 492		00:01:19
5	P14651			Hull 492		00:02:03
6	P14652			Hull 492		00:02:02
7	P14653			Hull 492		00:02:43
8	P14654			Hull 492		00:04:58
10	P14656			Hull 492		00:07:03
11	P14657			Hull 492		00:03:42
14	P14660			Hull 492		00:12:52

CNC File Name 2672

Work Order T3494	True Scrap 31.4 %	Qty Required 14	Layout 2 of 2
Number of Sheets with Same Layout : 1	Rect Scrap -0.6 %	Qty Nested 3	



Material 5086	Sheet Length 240.000"	Sheet X Used 226.784"	Heat Number
Thickness 0.188"	Sheet Height 96.000"	Sheet Y Used 84.262"	DATE
CUT THIS SHEET () TIMES		Cutting Length 1411.21	Operator #

Part ID	Part Name	Qty. Req	Qty. Nested	Work Order Number	Customer	Cutting Time
9	P14655			Hull 492		00:07:06
12	P14658			Hull 492		00:10:13
13	P14659			Hull 492		00:10:12